

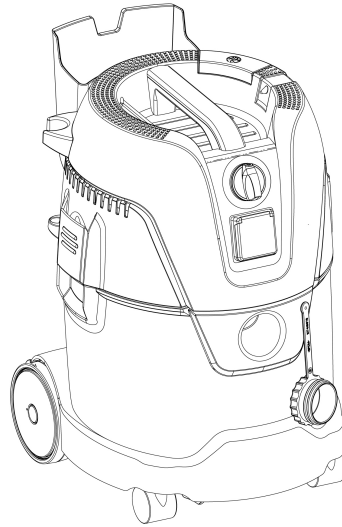
Hotline: 0 73 03 / 901 980

R O B E
Reinigungsmaschinen

Zur Aumühle 36 | 89257 Illertissen
Tel.: 0 73 03 / 901 980 | Fax 0 73 03 / 901 981 8
info@wap-nilfisk-alto-shop.de

www.wap-nilfisk-alto-shop.de

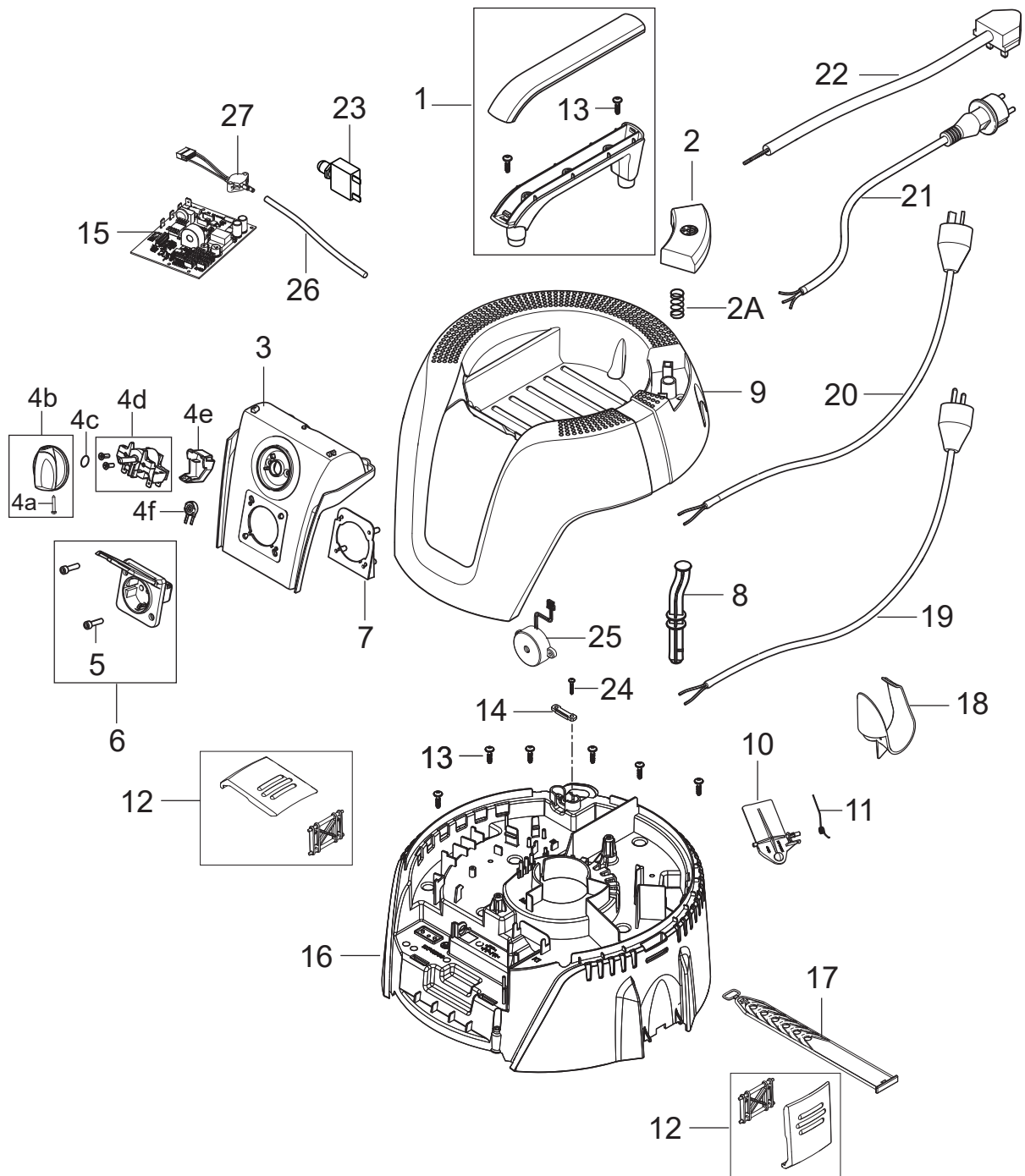
PARTS LIST



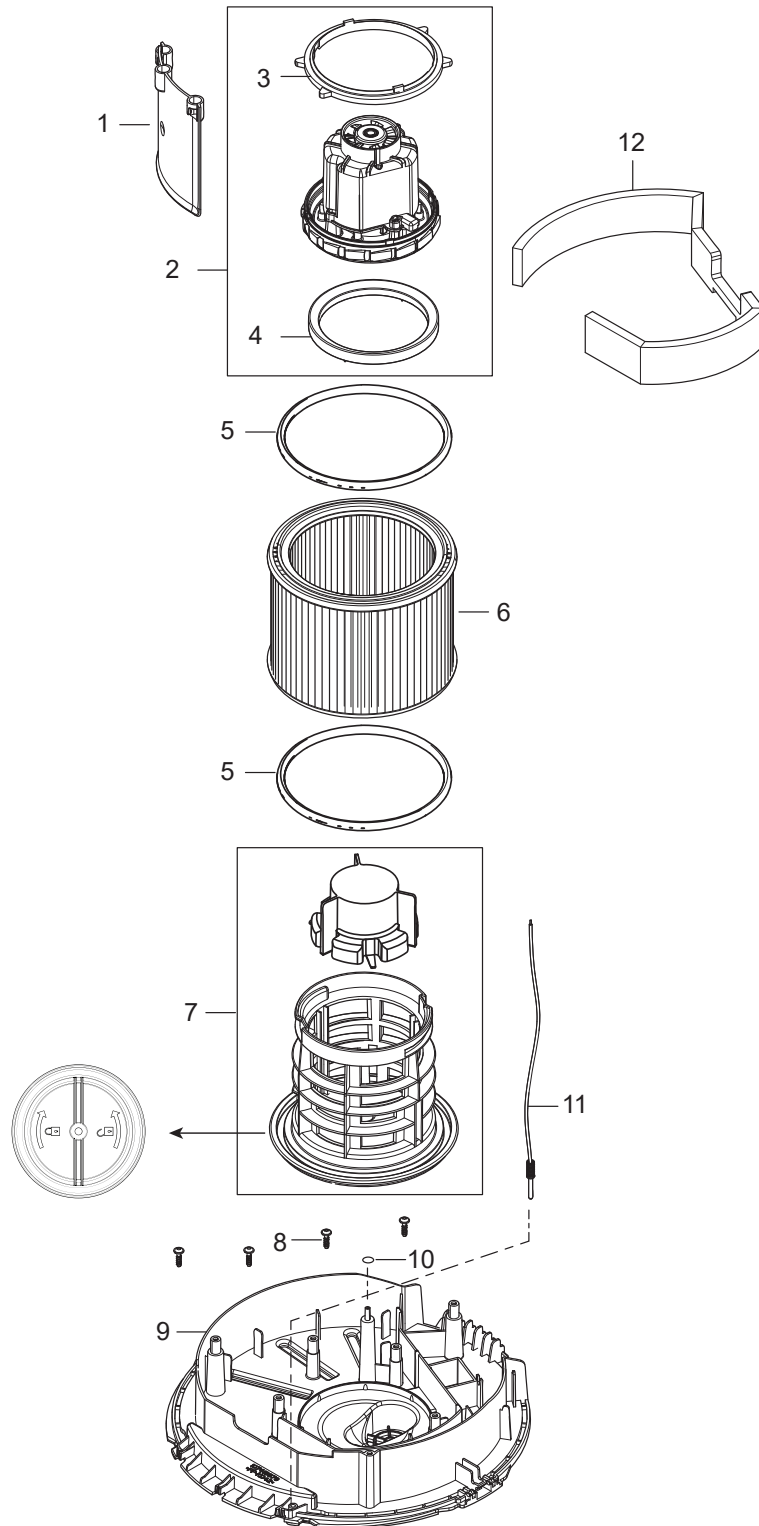
2023.03.29

TABLE OF CONTENTS

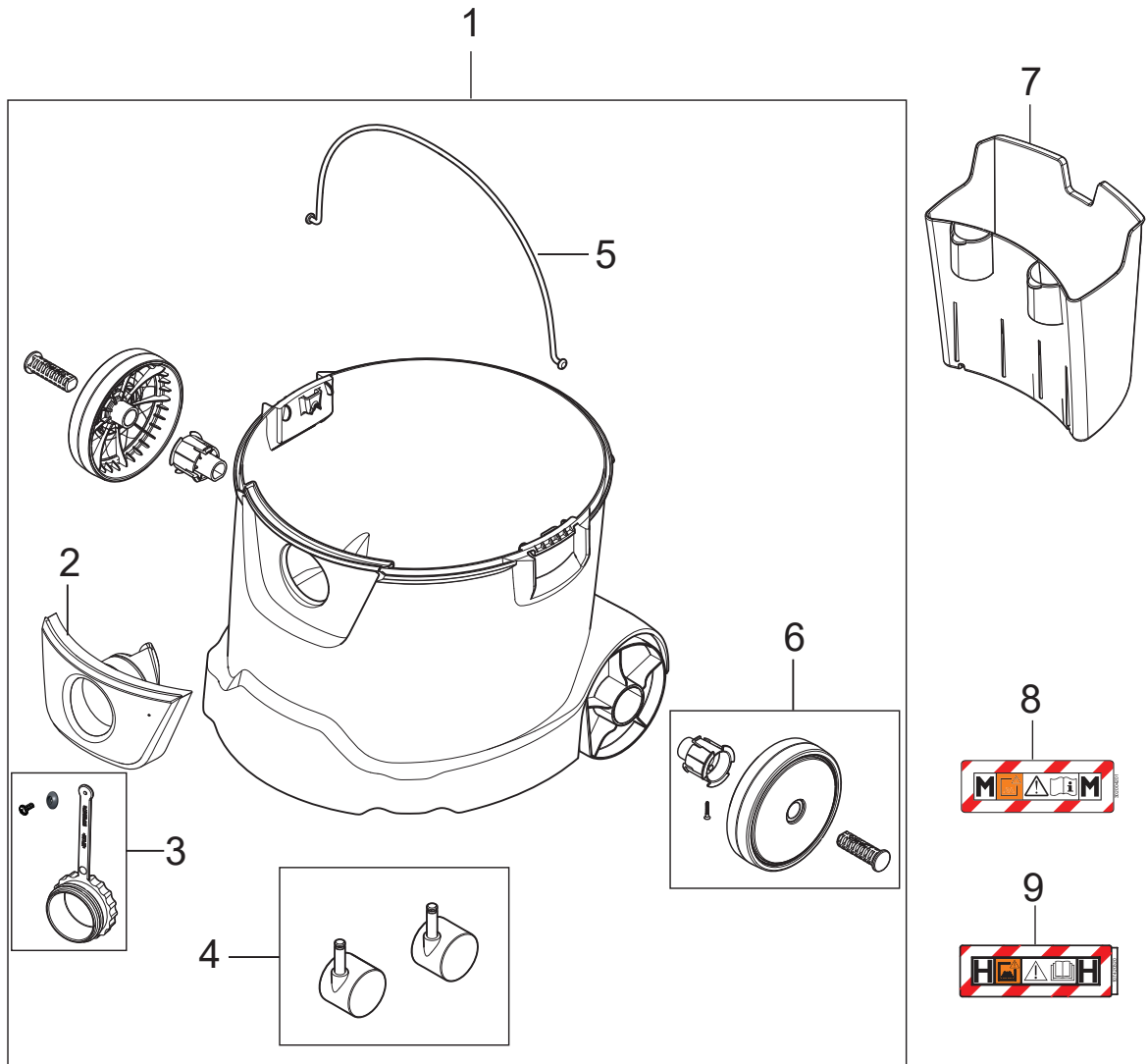
Top M.....	1
Filter and motor M.....	3
Container 25L.....	5
Accessories from serial no. .. 1035, ..1053.....	7



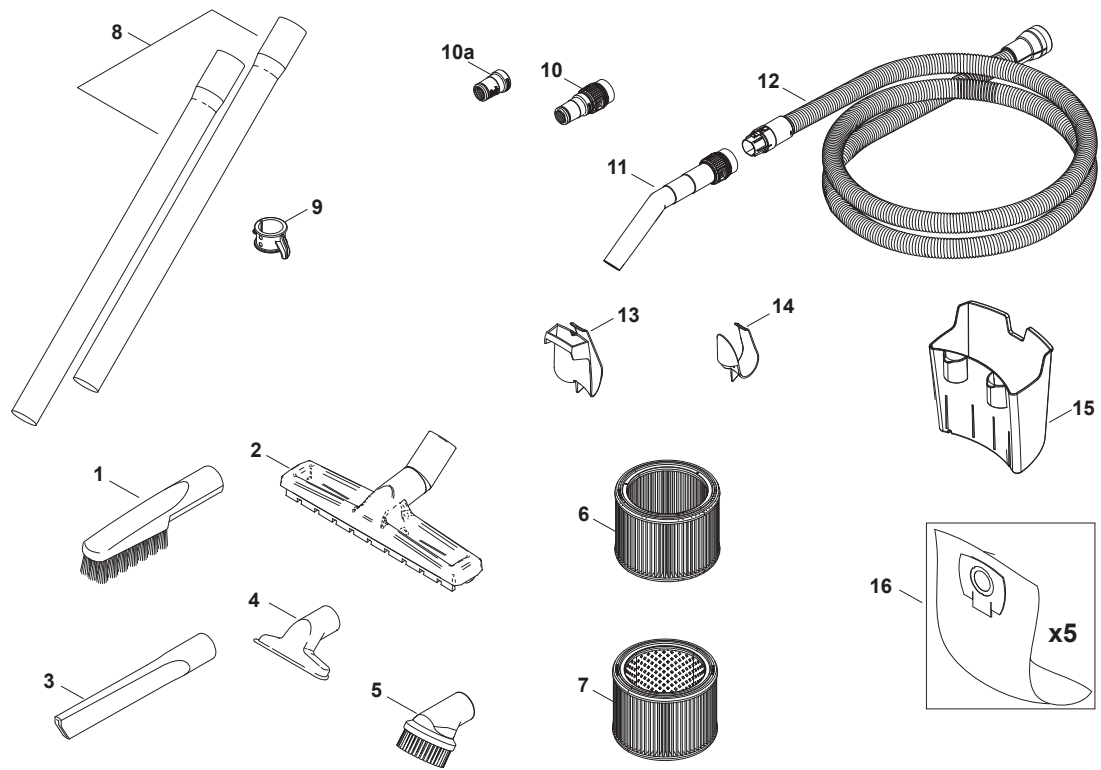
Pos.	Artikel-Nr.	Menge	Variante	Notes
NS	107420467	1	BOX AERO 26 (X10)	
1	107409137	1	Handgriff	
2	107409138	1	PC TASTE	
2A	107411345	1	SPRING FOR BUTTON	
3	107409146	1	INTERFACE SWITCH AND OUTLET ADV 1	
4	107409156	1	SWITCH	
5	302004032	2	Schraube 3.5X18	
6	107400059	1	Steckdose 10A/250V CH	
6	302004034	1	Steckdose	
6	302004338	1	SOCKET 15A/125V US/CSA	
6	302001185	1	Steckdose 2-poligPE 10A	
7	302002052	1	Halter	
8	107409141	1	Luftschalter AERO	
9	107409145	1	AERO ABDECKUNG 26-2L	
10	107409129	1	Luftklappe AERO	
11	909100083	1	Schenkelfeder	
12	107409130	2	Klammer	
13	302004029	9	SCREW 5X18	
14	5697	1	Kabelschelle	
15	107420446	1	PCBA AERO M/H 230V	
15	107420447	1	PCBA AERO M/H 120V	
15	107420448	1	PCBA AERO M/H 110V	
16	107420437	1	CLAMPING PLATE ALTO BLUE	
17	107409131	1	Gummistreifen AERO	
18	107409982	1	HOSE/CABLE HOOK. AERO 26/31	
19	107420456	1	POWER CORD H05VV-F 3X1.5 PVC ORANGE EU	
19	107420452	1	POWER CORD H05VV-F 3X1.5 PVC ORANGE AU	
20	107420451	1	POWER CORD H05VV-F 3X1.5 PVC ORANGE CH	
21	107420454	1	POWER CORD SJTW-A AWG14 ORANGE US	
22	107420453	1	POWER CORD H05VV-F 3X1.5 PVC ORANGE GB	
22	107420450	1	POWER CORD H07 BQ F ORANGE GB	
23	56315255	1	CIRCUIT BREAKER 5 AMP	
24	302004032	2	Schraube 3.5X18	
25	107416958	1	BUZZER KIT1	
26	107420433	1	HOSE AVMS.	
27	107420434	1	SENSOR 50KPA	



Pos.	Artikel-Nr.	Menge	Variante	Notes
1	107409159	1	Deflektor	
2	107420468	1	MOTOR KIT 1000W 110/120V/50-60HZ (TCO)	
2	107410825	1	MOTOR KIT 1200W 230V/50-60HZ	
4	107409164	1	MOTORDICHTUNG UNTEN	
3	107409163	1	MOTORDICHTUNG OBEN	
5	107409165	2	FILTERDICHTUNG	
6	302000490	1	Filterelement M-Klasse Ø 185x140 mm	
7	107420460	1	FILTER CAGE L/M	
8	302004029	5	SCREW 5X18	
9	107420436	1	BASE PLATE WITH SEALING.	
10	107420458	1	O-RING D5X3	
11	107402835	1	Federkontakt	
12	107420457	1	ISOLATION FOAM	



Pos.	Artikel-Nr.	Menge	Variante	Notes
1	107420463	1	CONTAINER ASM. 25L NILFISK M/H-CLASS	
2	107409169	1	Anschlussstück	
3	107420435	1	HOSE INLET PLUG	
4	140 6422 500	1	Lenkrolle 2 stk.	
5	107409171	1	Bügel	
6	107420466	2	REAR WHEEL D135 ALTO BLUE	
7	107420459	1	TOOLBOX	
8	107401291	1	Aufkleber Staubklasse M 130X44 PVC	
9	107420444	1	LABEL DUST CLASS H	



Pos.	Artikel-Nr.	Menge	Variante	Notes
			From serial no. (EU) 3520220501035 and (AU/NZ) 3520220501053	
1	6086	1	Bürstendüse Ø 36x230 mm, PP/PA	
2	107402706	1	Bodendüse D36 Nass-Trocken	
3	29541	1	FUGENDUESE D36X200	
4	14295	1	Universaldüse Ø 36x115 mm, Kunststoff	
5	302002509	1	Saugpinsel, rund, schwarz, Ø 36 mm	
6	302000490	1	Filterelement M-Klasse Ø 185x140 mm	
7	107420373	1	FILTER PTFE Ø185X140 H-CLASS/HEPA	
8	302000529	1	Verlängerungsrohre Ø36x505 mm, VPE 2	
9	107409979	1	Halter-Set, Ø 36 mm	
10	302000535	1	Werkzeugadapter, Quicksystem, Ø 27 mm	
10a	107403791	1	HOSE SLEEVE D27 AS	
11	107420439	1	CURVED HAND TUBE D36MM AS	
12	107401129	1	Schlauch D36X4M AS	
13	107409981	1	Schlauchhalter	
14	107409982	1	HOSE/CABLE HOOK. AERO 26/31	
15	107420459	1	TOOLBOX	
16	107419590	1	Vliesfilterbeutel à 5 Stk. AERO	

