



So finden Sie Ihr gewünschtes Ersatzteil / Zubehör:

In dieser Ersatzteilliste finden Sie die Artikelnummer Ihres gesuchten Produkts. **Bitte geben Sie diese Artikelnummer in das „Suche“-Feld unseres Shops ein.**

Als Ergebnis wird Ihnen der Artikel mit Preis angezeigt und Sie können diesen bei Gefallen in den Warenkorb legen.

Sollten Sie das gesuchte Zubehör oder Ersatzteil nicht finden, helfen wir Ihnen gerne weiter.

Rufen Sie uns einfach an. Halten Sie bitte den Maschinentyp und das exakte Baujahr des Gerätes bereit:

Tel.: +49 (0) 7303 901 980

Robe Reinigungsmaschinen GmbH



Hotline: 0 73 03 / 901 980

Zur Aumühle 36 | 89257 Illertissen
Tel.: 0 73 03 / 901 980 | Fax 0 73 03 / 901 981 8
info@wap-nilfisk-alto-shop.de

www.wap-nilfisk-alto-shop.de

Weiterblättern zur Ersatzteilliste 

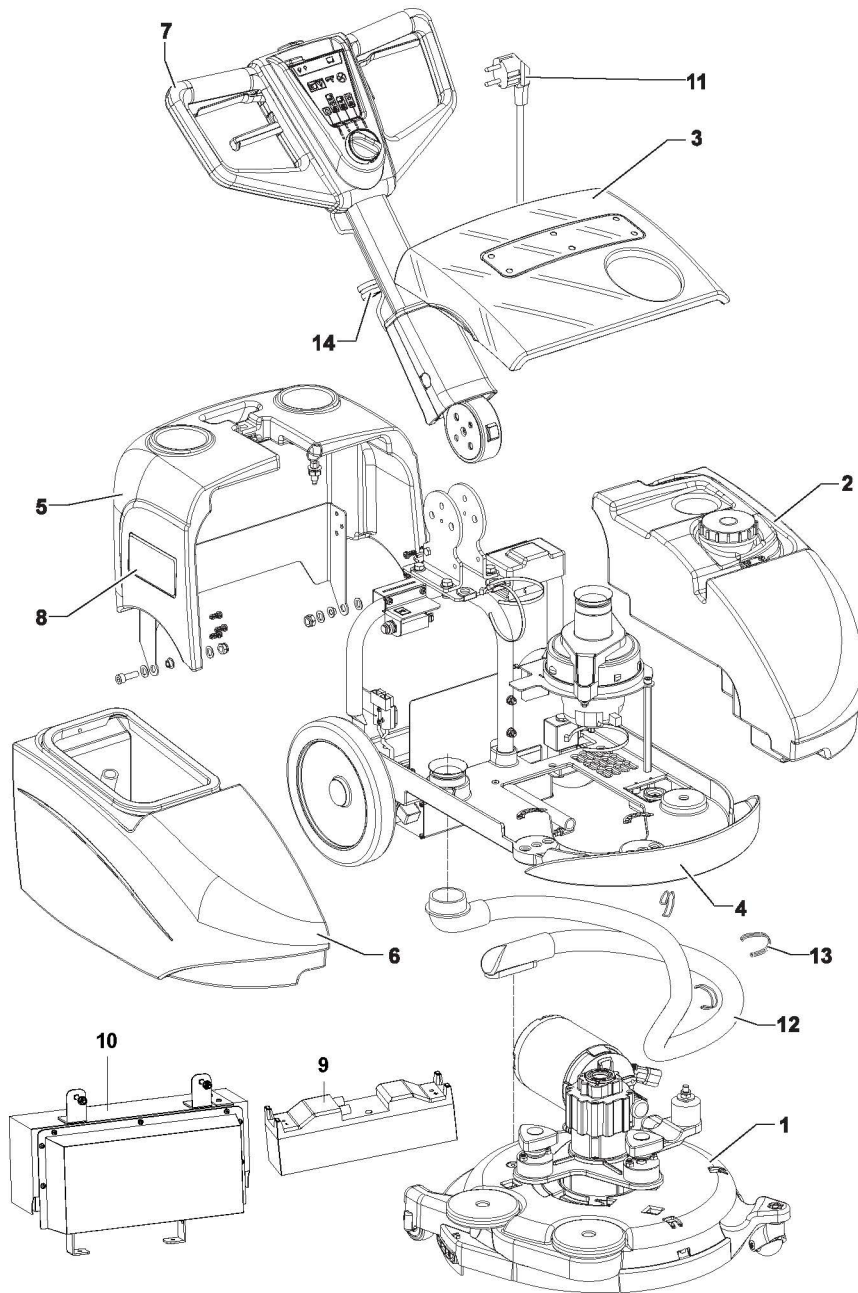
PARTS LIST

2025.08.07

NILFISK

TABLE OF CONTENTS

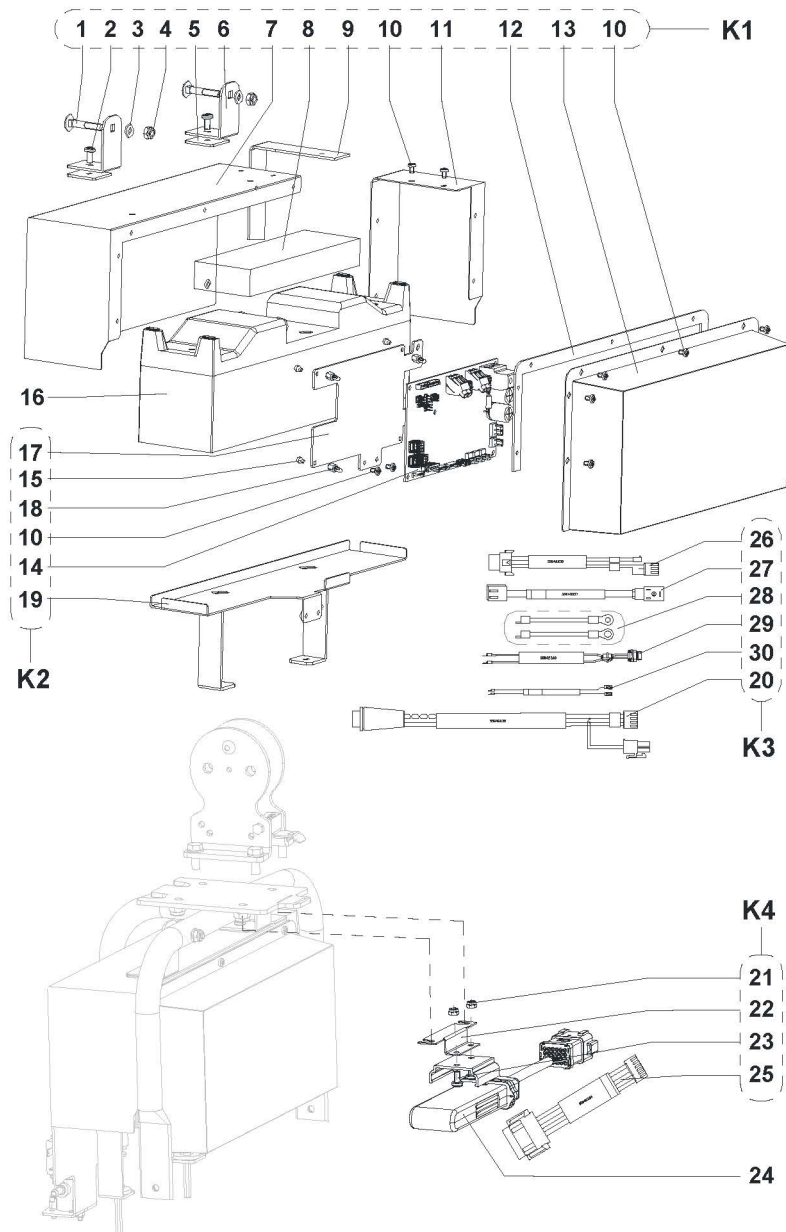
General View	1
Battery compartment	3
Cover and Tanks	5
Frame System	7
Handle Support System	9
Handle system	11
MOTOR AND DECK SYSTEM AFTER 3510235000940	14
Motor and Deck System	16
Brush Deck System	18
Brushes	20
Wiring Diagram	22
No image available	24
No image available	26



Pos.	Artikel-Nr.	Menge	Variante	Notes
1		1	BRUSH DECK	
2		1	SOLUTION TANK	
3		1	COVER TANK	
4		1	FRAME	
5		1	BATTERY COVER	
6		1	RECOVERY TANK	
7		1	HANDLE	
8	55942261	2	DECAL NILFISK SC351 LI-ION	
9	55942284	1	BATTERY, 24V, LI-ION, 7S6P	
10		1	BOX BATTERY COMPARTMENT LI-ION KIT	
11	1466318000	1	CABLE EXTENSION UK PLUG L.2000MM SIP	[1]
11	9100000787	1	CABLE EXTENSION EU PLUG L.2000 PKD	[1]
12	9099706000	1	SAUGSCHLAUCH SCHWARZ D.25MM	
13	9100001733	1	TIE CABLE 2.5x200 BLACK 10 PCS SET	
14	9099301000	1	Schraubenkit Scrubtec 337	

Part Notes:

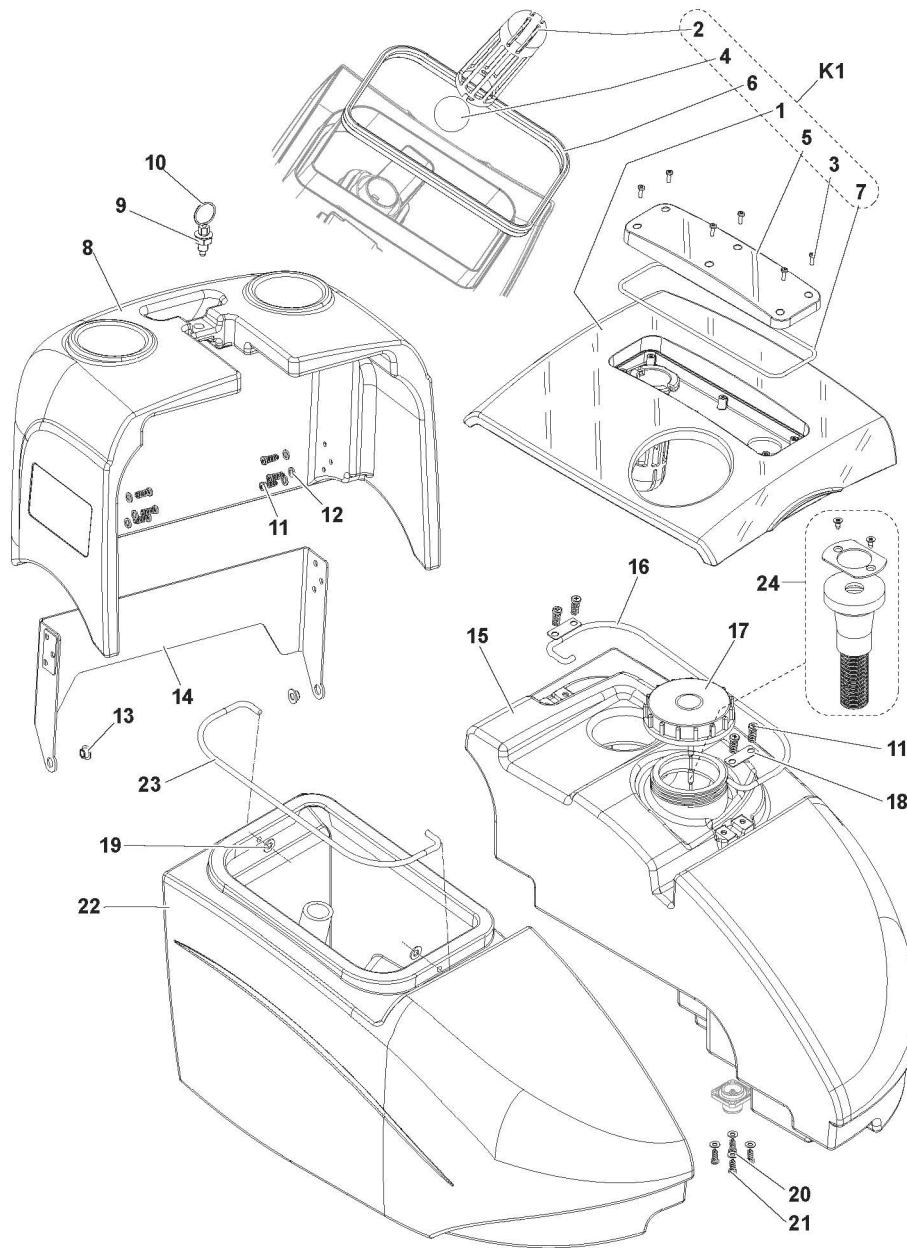
[1] - FOR EU/UK MACHINE



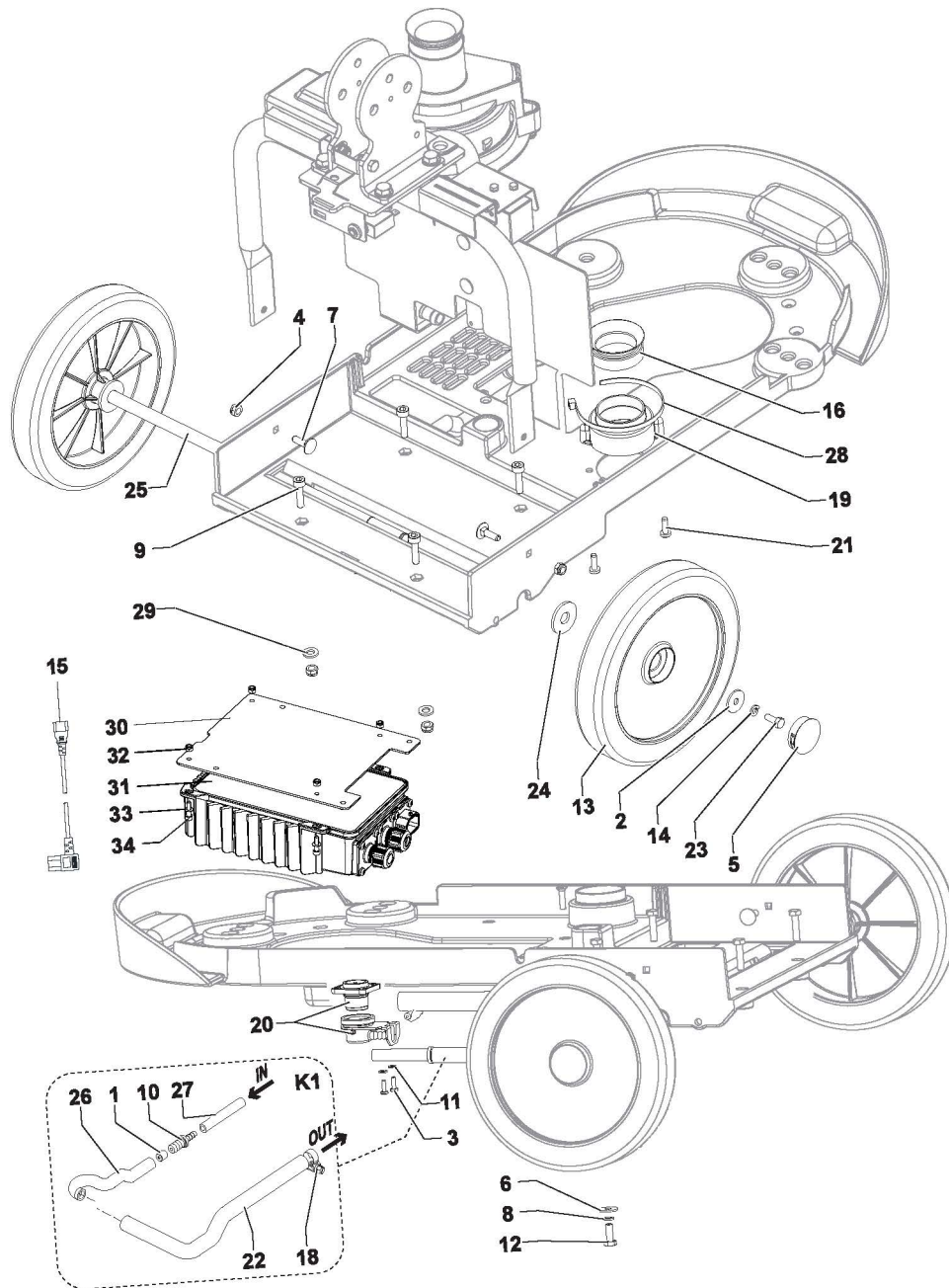
Pos.	Artikel-Nr.	Menge	Variante	Notes
K1	55942264	1	COVER BATTERY COMPARTMENT UP KIT	
1		2	SCREW M6X35 CARR.SQUARE NECK SS SSSFFISO	
2		2	SCREW M5X10 PAN HD TORX SS ISO7045	
3		2	WASHER PLAIN M6X12 SS ISO7086	
4		2	NUT LOCK HEX M6 LOW SS ISO10511	
5		2	SEALING PE	
6		2	FIXING BRACKET COVER	
7	55942274	1	COVER BATTERY	
8	55942275	1	FIXING BATTERY PE	
9		1	SEALING PE	
10	55942276	3	SCREW 4X6 PAN HD TORX SS 5PCS SETSCREW 4X6 PAN HD TORX SS ISO 14580 5PCS SET	
11		1	COVER RIGHT BATTERY	
12		1	SEALING PE	
13		1	COVER MAIN MACHINE CONTROLLER	
K2	55942266	1	PCBA SC351 HAUPT-MASCHINENSTEUERUNGS-KIT	
14		1	PCBA SC351 MAIN MACHINE CONTROLLER	
15		4	SCREW M3X5 CAP HD HEX SOCK SS ISO4762	
10	55942276	3	SCREW 4X6 PAN HD TORX SS 5PCS SETSCREW 4X6 PAN HD TORX SS ISO 14580 5PCS SET	
17		1	BRACKET MAIN MACHINE CONTROLLER	
18		4	SUPPORT THD PLAST.F CONTROLLER	
19		1	SUPPORT BATTERY	
K3	55942272	1	KABELBAUM HAUPT-CONTROLLER-KIT	
20		1	HARNESS BATTERY TO MMC 24V	
26		1	HARNESS CHARGER TO MMC 24V	
27		1	HARNESS VALVE 24V	
28		1	HARNESS BATTERY 24V	
29		1	HARNESS BRUSH MOTOR 24V	
30		1	HARNESS VAC MOTOR 24V	
K4*	55942267	1	BRACKET TC1 KIT	
21*		2	NUT LOCK HEX M4 LOW SS ISO10511	
22*		1	BRACKET TC1	
23*		2	SCREW 4X10 PAN HD TORX SS ISO 14580	
24*	9100003246	1	9100003246TC-1 MODULE SIP	[1]
25*		1	HARNESS TC1 MODULE 24V	
16	55942284	1	BATTERY, 24V, LI-ION, 7S6PBATTERY, 24V, LI-ION, 7S6P, N18650CL-29	

Part Notes:

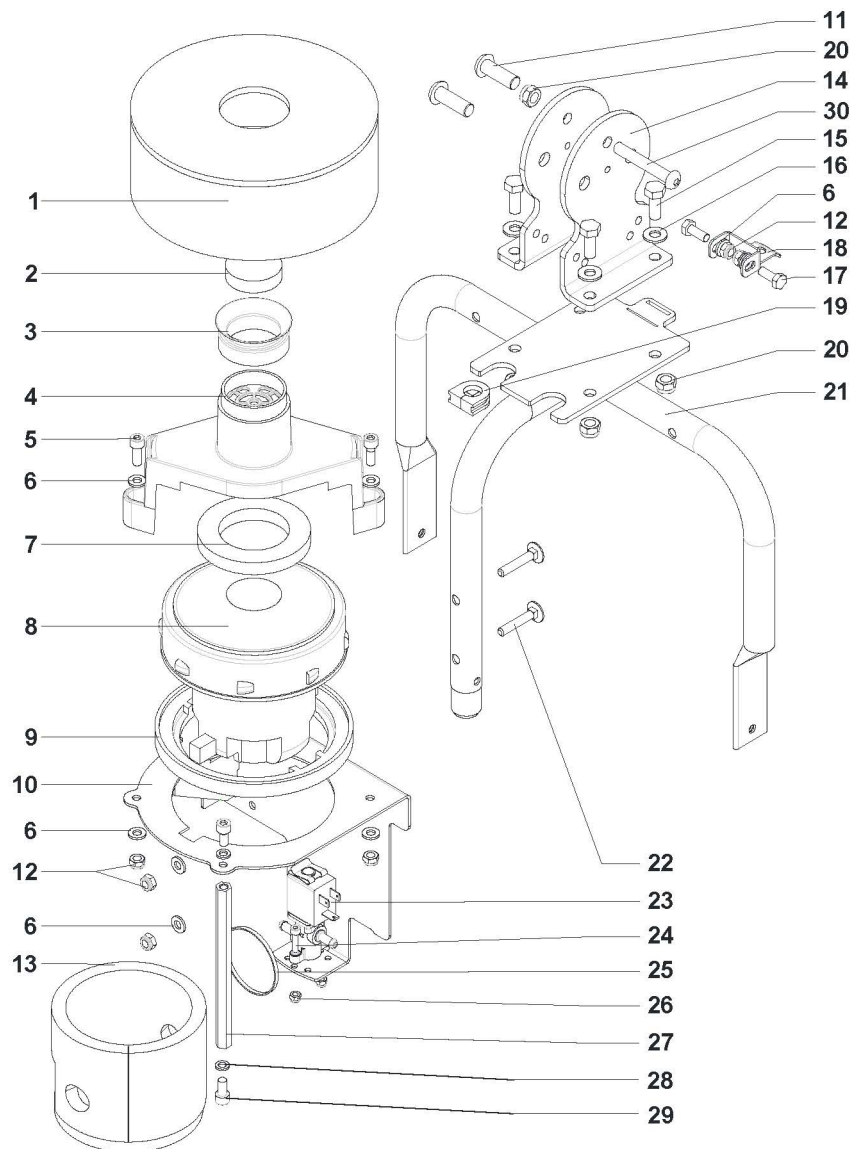
[1] - IS_55945357_ FOR KIT CONECTIVITY KIT TC1 55945330



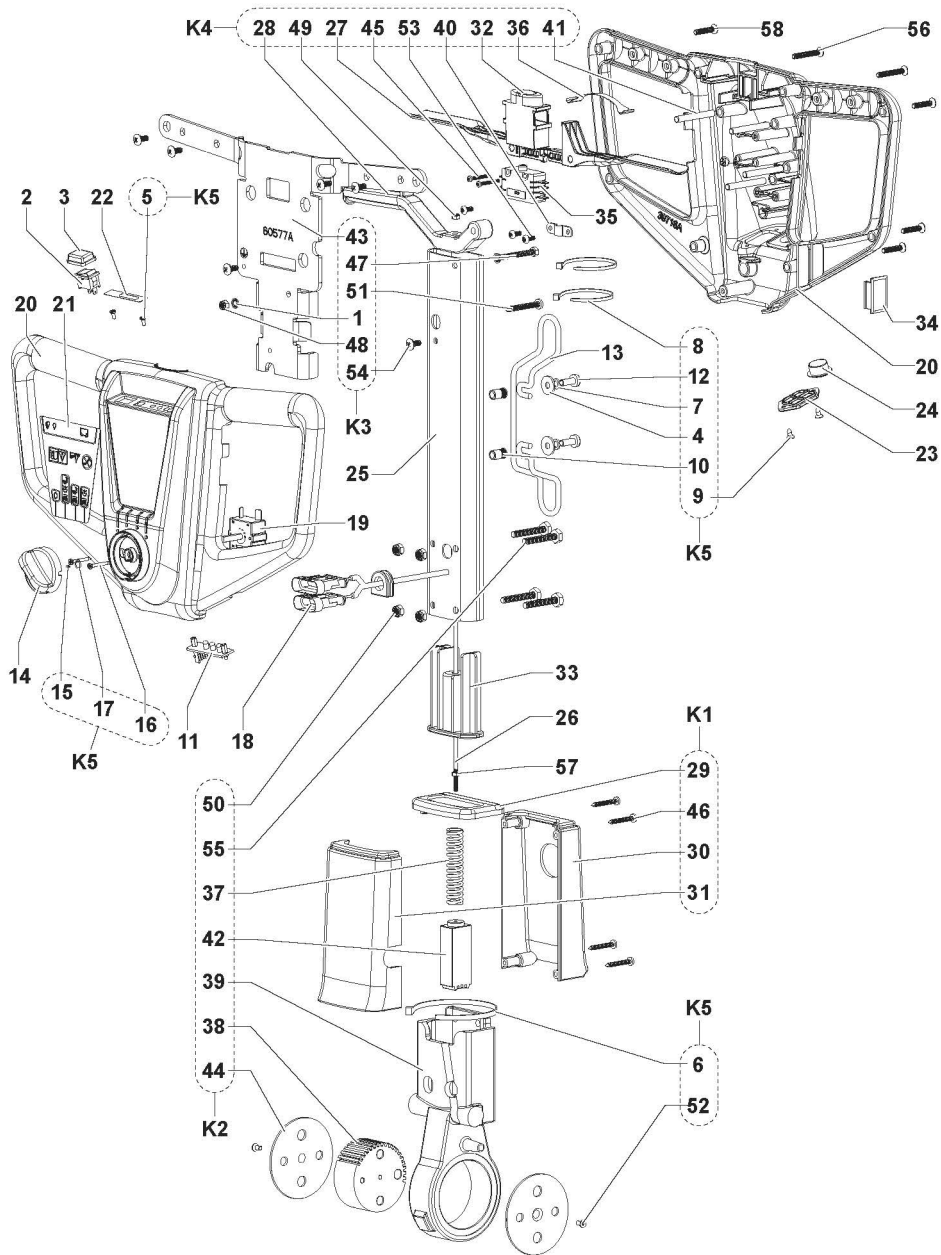
Pos.	Artikel-Nr.	Menge	Variante	Notes
1		1	COVER TANK	
2	9100001371	1	CAGE FLOAT PKDCAGE FLOAT SIP	
3		6	SCREW 3.5X10 THD FORMING	
4	L08092600	1	Ventilball	
5		1	CAP TANK COVER	
6	9099127000	1	GASKET RUBBER L.705MM PKDGASKET TANK COVER KIT	
7		1	GASKET MOUSSE D.4MM	
8	9098318000	1	BatterieabdeckungBATTERY COVER	
9	145 1147 000	1	U-ScheibeWASHER 10,2X18,8X0,35	
10	1466331000	1	PLUNGER M10 D.6 W/NUT PKDPLUNGER INDEXING SIP	
11		10	SCREW CYL HD 5X16 SELF L.	
12		6	WASHER	
13		2	BUSH	
14	9098309000	1	SUPPORT BATTERY COVER METALSUPPORT BATTERY COVER	
15	9098149000	1	TANK SOLUTION RAL 7001TANK SOLUTION RAL 7001	
16	9100000104	1	HANDLE SOLUTION TANKHANDLE DETERGENT TANK	
17	9100001202	1	CAP THREADED 70X5 PKD	
18	9098621000	2	PLATE HANDLE TANK	
19	9098473000	2	COVER PIN	
20		4	WASHER M4 UNI6592	
21		4	SCREW 3.5X12	
22	9098148000	1	TANK RECOVERY RAL7001TANK RECOVERY RAL 7001	
23	9100000103	1	HANDLE RECOVERY TANK	
24*	9099011000	1	Befüllschlauch	
K1	9100002110	1	Kit Gehäuse-AbdeckungCOVER TANK KIT	
[K2]	9098990000	1	Deckelbefestigung	



Pos.	Artikel-Nr.	Menge	Variante	Notes
K1	9098992000	1	RohrleitungskitHOSES KIT	
K1	9100000476	1	HOSES SOLENOID VALVE 12V KIT	
1		1	REDUCTION WATER	
10		1	FITTING	
18		1	CLAMP	
22		1	HOSE D.12 L=500 MM	
26		1	HOSE D. 12	
27		1	PIPE 6X11	
[K2]	9100000083	1	HARDWARE CHASSIS KITHARDWARE FRAME KIT	
2		2	WASHER FLAT XL 6.6X24.0X2.0	
3		2	SCREW PAN PHIL THD FORM PU 3.9X9.5	
4		3	NUT SELF L. M6 UNI7474 SS	
5		2	PLUG BLACK CLICK d.38.1	
6		2	WASHER 6X18 UNI6592	
15	559506474	1	POWER CORD 1M AC250V EU IP66	
7		2	SCREW M6X20 UNI5731	
8		3	WASHER	
15	559506475	1	POWER CORD 1M AC250V US IP66	
9		4	SCREW SOC. HD M5X30	
11		2	WASHER EXT. SHPRF Ø 4 SS	
12		2	SCREW	
14		2	WASHER SPLIT LOCK d.6	
21		2	SCREW THREAD ROLLING 5x16	
23		2	SCREW HEX THD TO HD M6x16	
24		2	WASHER 12.5X34X3 NYLON	
28		1	CLAMP 290X4.8	
29		4	WASHER FLAT XL 5.5X15.0X1.6 SS	
K3	55942268	1	BRACKET CHARGER KITBRACKET FOR CHARGER KIT	
32		4	NUT LOCK HEX M4 LOW SS ISO10511	
33		4	WASHER PLAIN M4X9 SS ISO7089	
34		4	SCREW M4X16 CAP HD HEX SOCK SS ISO4762	
30		1	BRACKET FOR CHARGER	
13	9099732000	2	RAD D.214 GRAU/SCHWARZWHEEL Ø214	
16	9100001958	1	Abdichtung	
17	146 3054 000	1	Batteriegurte SC 351	
19	9099719000	1	SUPPORT FOR GASKET	
20	9100000514	1	Kit WasserventilVALVE WATER COMPLETE SIP	
25	9099352000	1	STIFT D.12PIN WHEEL	
31	55942244	1	CHARGER RQ350 24V	

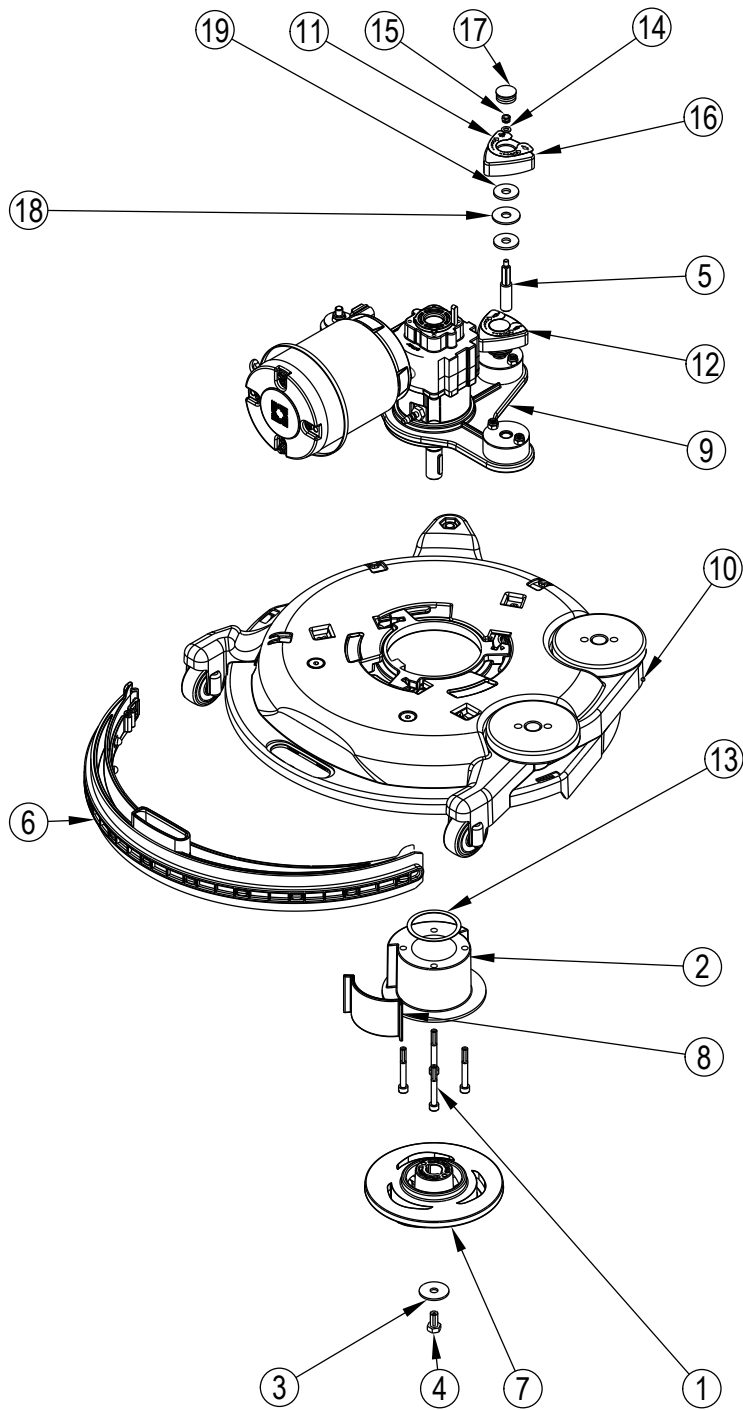


Pos.	Artikel-Nr.	Menge	Variante	Notes
[K1]	910000084	1	SCHRAUBENSATZ HALTERUNG GRIFFHARDWARE HANDLE BAR SUPP. KIT	
5	-	2	SCRUBTEC 8/BOOST 8SCREW SOC. HD M6X16	
6	-	8	SCRUBTEC 8/BOOST 8WASHER M6 UNI6592 SS	
11	-	2	SCRUBTEC 8/BOOST 8SCREW BUTTON SOC M 10X25 SS	
12	-	6	SCRUBTEC 8/BOOST 8NUT SELF L. M6 UNI7474 SS	
15	-	4	SCRUBTEC 8/BOOST 8SCREW M8X20 UNI5739 SS	
16	-	4	SCRUBTEC 8/BOOST 8WASHER M8 UNI6592 SS	
17	-	2	SCRUBTEC 8/BOOST 8SCREW HEX THD TO HD M6x16 SS	
19	-	1	SCRUBTEC 8/BOOST 8GROMMET	
20	-	5	SCRUBTEC 8/BOOST 8NUT SELFLOCKING LOW M8 UN	
22	-	2	SCRUBTEC 8/BOOST 8SCREW CARRIAGE M6x35	
24	-	2	SCRUBTEC 8/BOOST 8SCREW M4X16 UNI5931 SS	
25	-	4	SCRUBTEC 8/BOOST 8CLAMP	
26	-	2	SCRUBTEC 8/BOOST 8NUT SELF L. M4 UNI7474 SS	
28	-	3	SCRUBTEC 8/BOOST 8WASHER EXT. SHPRF Ø 6 SS	
29	-	2	SCRUBTEC 8/BOOST 8SCREW M6X12 UNI5931 SS	
30	-	1	SCRUBTEC 8/BOOST 8SCREW BUTTON SOC M8X55	
1	9098656000	1	Schuzthülle f. Motor	
2	9100001278	1	Filter für Saugmotor	
3	9100001958	1	Abdichtung	
4	9098483000	1	COVER VACUUM MOTOR	
7	9098327000	1	Abdichtung Saugmotor	
8	55942281	1	VACUUM MOTOR 24V	
9	9098554000	1	GASKET VACUUM MOTOR	
10	55942269	1	SUPPORT VACUUM MOTOR	
13	9098925000	1	CASING LOWER VACUUM MOTOR	
14	9098185000	2	BRACKET HANDLE	
18	9098482000	1	BRACKET PLUNGER BLOCK	
21	55942285	1	SUPPORT HANDLE	
23	9098112000	1	Magnetventil 12V	
23	9100000475	1	SOLENOID VALVE 12V PKD	
27	9098559000	1	SPACER GALV. F SUPPORT VAC. MOTORSPACER SUPPORT VACUUM MOTOR	
[0]	L08603885	1	CONNECTOR TYPE DIN 46340	



Pos.	Artikel-Nr.	Menge	Variante	Notes
K1	11271A	1	AbdeckungskitLOWER COVER KIT	
29	-	1	SCRUBTEC 8/BOOST 8CAP RUBBER	
30	-	1	SCRUBTEC 8/BOOST 8COVER REAR	
31	-	1	SCRUBTEC 8/BOOST 8COVER FRONT	
46	-	4	SCRUBTEC 8/BOOST 8SCREW ST4.2-1.4	
K2	11272A	1	LOWER HOUSING KITBOX HOUSING GEARS KIT	
37	-	1	SCRUBTEC 8/BOOST 8SPRING COMPRESSION	
38	-	1	SCRUBTEC 8/BOOST 8GEAR	
39	-	1	SCRUBTEC 8/BOOST 8HOUSING GEAR INDEX	
42	-	1	SCRUBTEC 8/BOOST 8GEAR INDEX	
50	-	4	SCRUBTEC 8/BOOST 8NUT LOCK M6 SS HEX	
44	-	2	PLATE, GEAR HOUSING	
55	-	4	SCRUBTEC 8/BOOST 8SCREW M6X40 SS HEX HEAD	
K3	11273A	1	Befestigungskit für Griff	
1	-	3	SCRUBTEC 8/BOOST 8WASHER	
43	-	1	SCRUBTEC 8/BOOST 8HANDLE SUPPORT	
47	-	1	SCRUBTEC 8/BOOST 8SCREW M5X43	
48	-	1	SCRUBTEC 8/BOOST 8NUT LOCK M5 SS HEX	
51	-	1	SCRUBTEC 8/BOOST 8SCREW M5X40 SS PAN HEAD PH	
54	-	6	SCRUBTEC 8/BOOST 8SCREW M5X12 TRUSS HEAD PH	
K4	11274A	1	HANDLE SWITCH LEVER KIT	
27	-	2	SCRUBTEC 8/BOOST 8LEVER SWITCH	
28	-	1	SCRUBTEC 8/BOOST 8LEVER	
32	-	1	SCRUBTEC 8/BOOST 8BUTTON INTERLOCK	
36	-	1	SCRUBTEC 8/BOOST 8SPRING INTERLOCK BUTTON	
40	-	1	SCRUBTEC 8/BOOST 8CLAMP CORD	
41	-	4	SCRUBTEC 8/BOOST 8PIN HANDLE SUPPORT	
45	-	2	SCRUBTEC 8/BOOST 8SCREW M3X25	
49	-	1	SCRUBTEC 8/BOOST 8NUT LOCK M4 SS HEX	
53	-	3	SCRUBTEC 8/BOOST 8SCREW M4X10 SS PAN HEAD PH	
K5	9098995000	1	HARDWARE HANDLE BAR KIT	
4	-	2	SCRUBTEC 8/BOOST 8WASHER 6X18X1.5 UNI6593	
5	-	2	SCRUBTEC 8/BOOST 8SCREW M3X8 UNI7688	
6	-	1	SCRUBTEC 8/BOOST 8CLAMP 290X4.8	
7	-	2	SCRUBTEC 8/BOOST 8WASHER	
8	-	2	SCRUBTEC 8/BOOST 8CLAMP	
9	-	2	SCRUBTEC 8/BOOST 8SCREW 3.9X9.5 UNI6955	
10	-	2	SCRUBTEC 8/BOOST 8INSERT M6X15 UNI9203	
12	-	2	SCRUBTEC 8/BOOST 8SCREW M6X16 UNI7687 SS	
15	-	1	SCRUBTEC 8/BOOST 8SCREW GRUB M3X3 DIN916	
16	-	2	SCRUBTEC 8/BOOST 8SCREW 2.9X25 UNI6954 THD	
52	-	2	SCRUBTEC 8/BOOST 8SCREW M4X8 UNI7688	
2	L08603153	1	Kippschalter	
3	L08603154	1	SCHUTZKAPPE	
11	146 3073 000	1	BOARD LEDBOARD. LED	
13	1466317000	1	SUPPORT CABLE KITSUPPORT CABLE KIT	
14	9097283000	1	KNOB CONTROL FUNCTIONS	
18	55942273	1	HARNES HANDLE 24V	
19	9099332000	1	SWITCH ROTATIVE 4 POSITIONS	
20	9100000101	1	COVERS HANDLE GREY KIT	
21	9099733000	1	DECAL CONTROL PANEL	
22	9098616000	1	Sticker Batterie LED	
23	9098812000	1	CAP FOR HANDLE	
24	9098813000	1	CAP D.18.5/D.24MM BLACKCAP D.18.5/D.40MM BLACK	
25	9098835000	1	TUBE OF HANDLETUBE HANDLE	
26	9098836000	1	ROD INDEX	
33	VF47033	1	RETAINER	
34	VF54041	1	HANDLE PLUG	
35	40263A	1	SWITCH DPSTSWITCH DPDT	

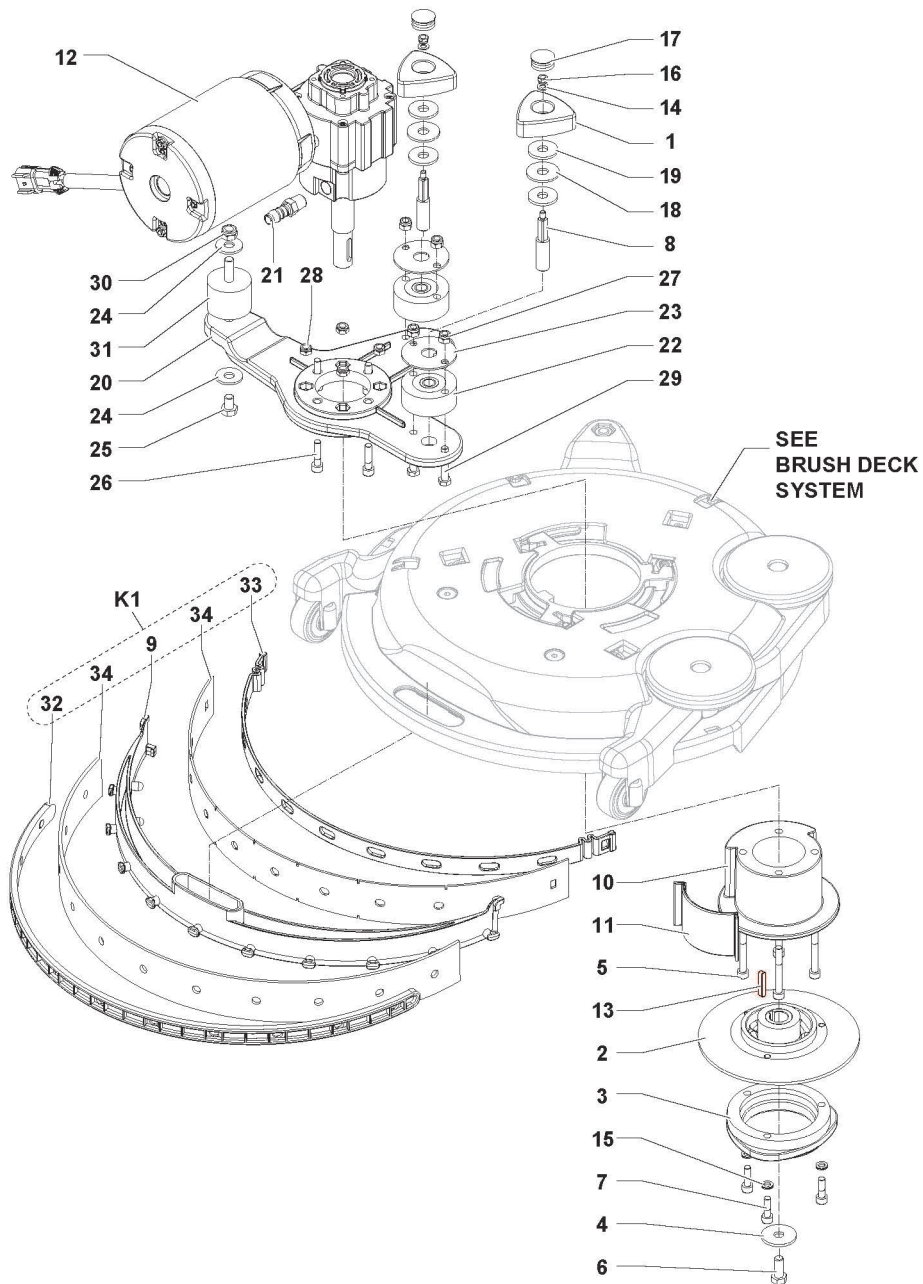
Pos.	Artikel-Nr.	Menge	Variante	Notes
56	80398A	2	SCREW M5X35 SS HEAD PHILLIPSSCREW M5x35 SS HEAD PHILLIP	
57	VV13609	1	NUT M4NUT LOCK M6 SS HEX	
58	80407A	4	SCREW M5X25 SS FLAT HEAD PHILLIPSSCREW M5X25 SS FLAT HEAD PH	



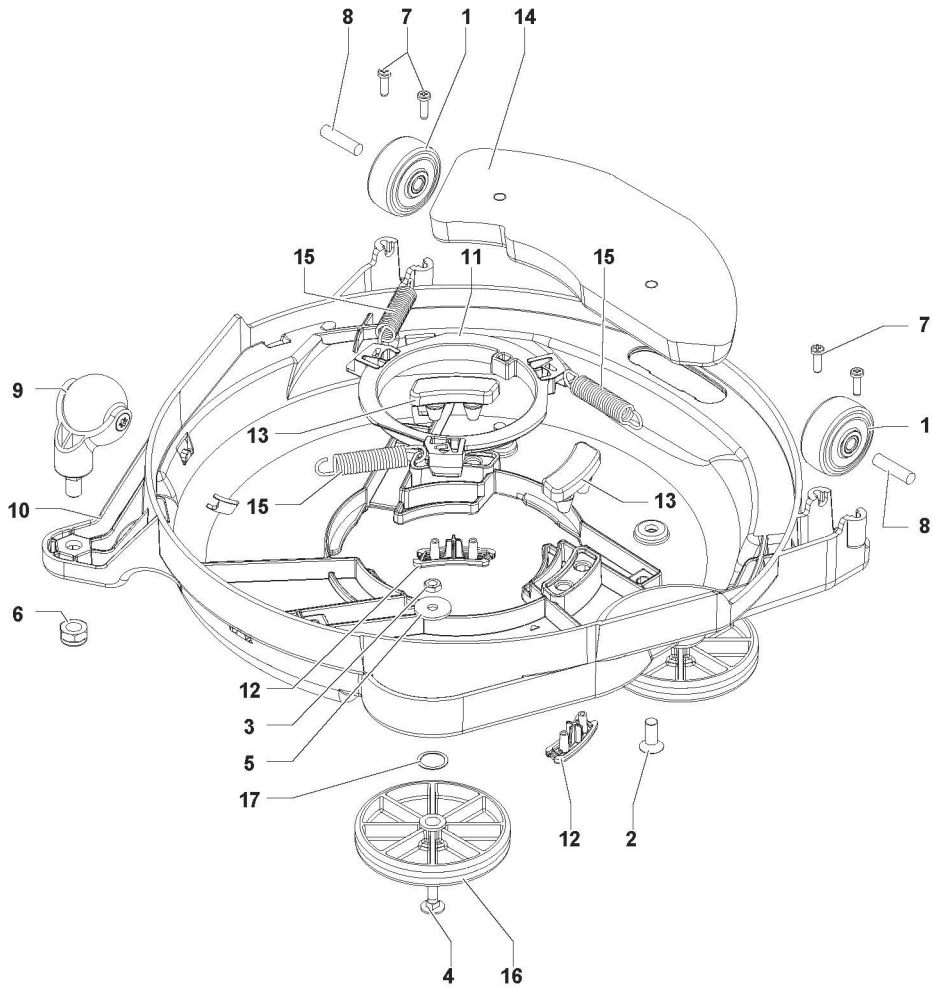
Pos.	Artikel-Nr.	Menge	Variante	Notes
1	33004352	4	SCREW M6X50 CAP HD HEX SOCK ISO4762	
2		1	FLANGE DECK	[1]
3	1450494000	1	WASHER FLAT 8X32 SSWASHER PLAIN M8X32X2 SS ISO7093	
4	1450521000	1	SCREW HEX HD M8 X 16 SSSCREW M8x16 HEX HD F/THD SS ISO4017	
5	9098557000	2	PIN BRUSH PLATE FIXING	
6	9099180000	1	Squeegee 370MM 14.5 assembly	
7	9099443000	1	HUB BRUSH	
8	9099736000	1	Mitnehmer	
9	9099739000	1	Motor brush assembly	
10	9099740000	1	Deck brush assembly	
11	9100000284	1	DECAL BRUSH SPEED ADJUST.	
12	9100000285	1	DECAL BRUSH ADJUST.	
13		1	GASKET F DECK FLANGE	[1]
14	L08241500	2	SCHEIBE 5,3 A 2	
15	L08603688	2	Mutter, selbsts. M5	
16	L08812203	2	Rändelmutter zu BA 530	
17	L08812426	2	Deckel klein zu BA 530CAP FOR KNOB	
18	L08812718	2	Scheibe BA 530	[2]
19	L08812719	4	Scheibe 9,0 x 28 x 3	[3]
K1	9100000955	1	FLANGE DECK KIT	

Part Notes:

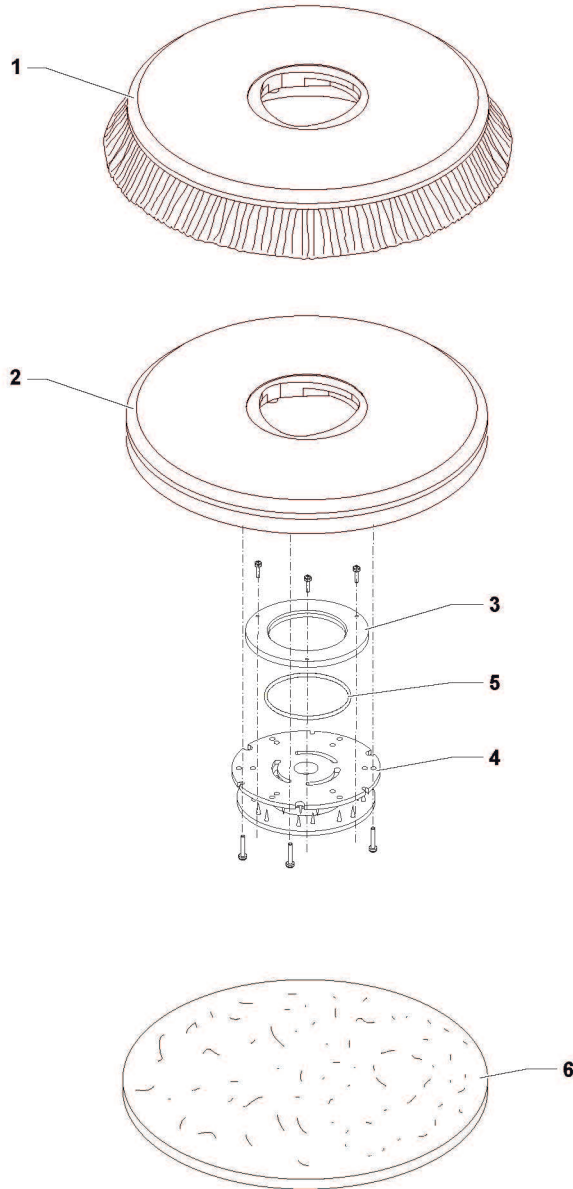
- [1] - K1
 [2] - NO LONGER AVAILABLE
 [3] - GUARANTEE DATE EXPIRED



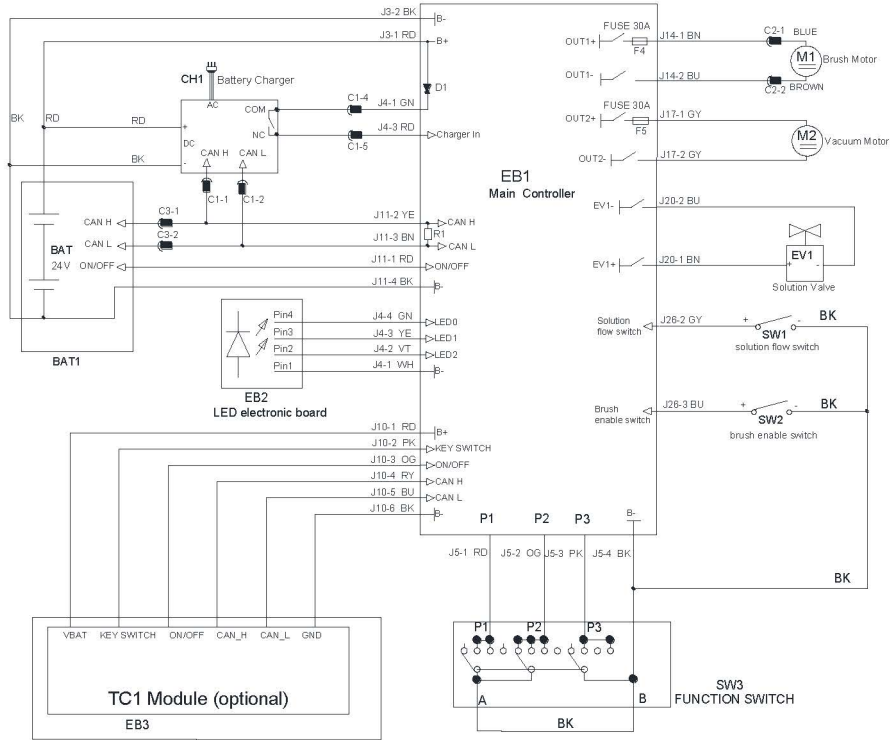
Pos.	Artikel-Nr.	Menge	Variante	Notes
K1	910000085	1	SAUGLIPPENSET KOMPLETT 438MM/17SQUEEGEE COMPLETE PU 370MM	
9	-	1	SCRUBTEC 8/BOOST 8SQUEEGEE	
32	9099707000	1	ELASTISCHES BAND HINTENREAR STRAP ELASTIC	
33	9099708000	1	ELASTISCHES BAND VORN RUBBER BLADE RETAINER	
34	9100000077	1	Saugluppen-Set PU 370 mm, 14,5"	
[K2]	9100000086	1	Dichtungssatz Motordeck	
4	-	1	SCRUBTEC 8/BOOST 8SCREW HEX THD TO HD M8x20 SS	
5	-	4	SCRUBTEC 8/BOOST 8SCREW SOC. HD M6X50	
6	-	1	SCRUBTEC 8/BOOST 8WASHER FLAT XL 9.0X32.0X2.5 SS	
7	-	3	SCRUBTEC 8/BOOST 8SCREW SOC. HD M6x20 SS	
14	-	2	SCRUBTEC 8/BOOST 8WASHER FLAT 5.3x10x1 SS	
15	-	3	SCRUBTEC 8/BOOST 8WASHER NORD LOCK M6	
16	-	2	SCRUBTEC 8/BOOST 8NUT HEX NYL LOC THIN M5 SS	
18	-	2	SCRUBTEC 8/BOOST 8WASHER FLAT XL 10X30X2 - RUBB	
19	-	4	SCRUBTEC 8/BOOST 8WASHER FLAT 9,5X27X2.5	
24	-	2	SCRUBTEC 8/BOOST 8ROND GREMB 8X24	
25	-	1	SCRUBTEC 8/BOOST 8SCREW HEX THD TO HD M8x12	
26	-	4	SCRUBTEC 8/BOOST 8SCREW SOC. HD M6X25 SS	
27	-	4	SCRUBTEC 8/BOOST 8NUT HEX NYL LOC HVY M6	
28	-	4	SCRUBTEC 8/BOOST 8NUT HEX NYL LOC THIN M6	
29	-	4	SCRUBTEC 8/BOOST 8SCREW HEX THD TO HD M6x35 SS	
30	-	1	SCRUBTEC 8/BOOST 8NUT HEX NYL LOC THIN M8 SS	
1	L08812203	2	Rändelmutter zu BA 530	
2	L08812306	1	Bürstenbüchse zu GetriebeHUB BRUSH R.GEARMOTOR RIG	
3	L08812480	1	PolygonaufnahmeHUB BRUSH	
8	9098557000	2	PIN BRUSH PLATE FIXING	
10	55947378	1	FLANGE DECK	
11	9099736000	1	MitnehmerSPACER LIMIT	
12	55942283	1	BRUSH MOTOR 24V	
13	1466146000	1	KEY 5X5X25 UNI6604A PKDKEY 5X 5X25 SIP	
17	L08812426	2	Deckel klein zu BA 530CAP	
20	9099718000	1	SUPPORT DECK	
21	L08601624	1	Schlauchnippel 1/4 x 10HOLDER RUBBER 1/4 D.10	
21	9100000478	1	HOLDER RUBBER STRAIGHT 1/4 D.6 SIPHOLDER RUBBER STRAIGHT 1/4	
22	L08812213	2	Distanzstück zu BA 530SHOCK ABSORBER	
23	L08812779	2	StahlplattendeckelPLATE VIBRATION DAMPING	
31	9100000868	1	Silent Bloc M8 60SH 2 PCS SET	



Pos.	Artikel-Nr.	Menge	Variante	Notes
K1	9100000087	1	Kupplungskit	
12		2	CLUTCH SUPPORT	
13		2	CLUTCH	
K2	9100000088	1	Schraubenset für Rad	
2		2	SCREW FLAT SOCKET HEAD M8X20.0	
3		2	NUT HEX THIN M6	
4		2	SCREW CARRIAGE M6x25	
5		2	WASHER FLAT XL 6.6X24.0X2.0	
6		1	NUT HEX NYL LOC THIN M10	
7		4	THREAD ROLLING SCR 5x16	
8		2	PIN D.8	
17		2	WASHER 15	
1	9100000559	2	Rad grau D.51	
9	9099163000	1	Lenkrolle D42CASTOR WHEEL ø42	
10	9099712000	1	DECK BRUSH 350MM/14COVER BRUSH DECK	
11	9099713000	1	FLANGE CENTRAL	
14	9100002162	1	COUNTERWEIGHT SIP	
15	9099720000	3	SPRING TRACTIONSPRING TRACTION	
16	9100001816	1	WHEEL BUMPER D.100 PLASTIC 2 PCS SET	



Pos.	Artikel-Nr.	Menge	Variante	Notes
1	9099999000	1	Bürste Prolene, 370 mm, 14,5"BRUSH D.370MM 14" PROLENE PPL	
1*	9100000001	1	Bürste Prolite, 370 mm, 14,5"BRUSH D.370MM 14" PROLITE PPL	
1*	9100000000	1	Bürste Union Mix, 370 mm, 14,5"BRUSH D.370MM 14" UNION MIX	
1*	9100000002	1	Bürste Mid Grit, 370 mm, 14,5"BRUSH D.370MM 14" MID GRIT 240	
1*	9100000003	1	Bürste Midlite 370mm 14,5" grauBRUSH D.370MM 14" MIDLITE GRIT 180	
2*	9099672000	1	Padhalter Ø 355 mm, 14"	
3	L08603966	1	Nylon Ring	
4	56505195	1	Padverschluss m. SpangeRETAINER PAD	
5	L08603965	1	SEAL O-RINGSEAL O-RING	
6*	10001918	1	Eco Pad 14", Ø 355 mm, braun, VPE 5PAD 14 355MM BROWN 5 PCS	
6*	10001920	1	Eco Pad 14", Ø 355 mm, rot, VPE 5PAD 14 355MM RED 5 PCS	
6*	10001921	1	Eco Pad 14", Ø 355 mm, weiß, VPE 5PAD 14 355MM WHITE 5 PCS	
6*	10001919	1	Eco Pad 14", Ø 355 mm, grün, VPE 5PAD 14 355MM GREEN 5 PCS	



Pos.	Artikel-Nr.	Menge	Variante	Notes
BAT1	55942284	BATTERY, 24V, LI-ION, 7S6P	BATTERY, 24V, LI-ION, 7S6P	
CH1	55942244	CHARGER RQ350 24V	CHARGER RQ350 24V	
D1	-	DIODE	SCRUBTEC 8/BOOST 8	
EB1	-	PCBA SC351 MAIN MACHINE CONTROLL R	SCRUBTEC 8/BOOST 8	
EB2	146 3073 000	BATTERY LEVEL BOARD	BOARD LED	
EV1	9100000475	SOLENOID VALVE 12V SIP	SOLENOID VALVE 12V PKD	
F5	-	VACUUM MOTOR FUSE (30 A)	SCRUBTEC 8/BOOST 8	
F4	-	BRUSH MOTOR FUSE (30 A)	SCRUBTEC 8/BOOST 8	
M1	55942283	BRUSH MOTOR 24V	BRUSH MOTOR 24V	
M2	55942281	VACUUM MOTOR 24V	VACUUM MOTOR 24V	
R1	-	RESISTOR	SCRUBTEC 8/BOOST 8	
SW3	9099332000	ROTATIVE SWITCH	SWITCH ROTATIVE 4 POSITIONS	
SW2	40263A	SWITCH BRUSH MOTOR- SOLENOID VALVE	SWITCH DPST	
SW1	L08603153	DETERGENT SWITCH	Kippschalter	

No Diagram Available

Parts List Only

Pos.	Artikel-Nr.	Menge	Variante	Notes
1	9099011000	1	Befüllschlauch	
2	9100000001	1	Bürste Prolite, 370 mm, 14,5"	
3	9100000000	1	Bürste Union Mix, 370 mm, 14,5"	
4	9100000002	1	Bürste Mid Grit, 370 mm, 14,5"	
5	9100000003	1	Bürste Midlite 370mm 14,5" grau	
6	9099672000	1	Padhalter Ø 355 mm, 14"	
7	10001918	1	Eco Pad 14", Ø 355 mm, braun, VPE 5	
8	10001920	1	Eco Pad 14", Ø 355 mm, rot, VPE 5	
9	10001921	1	Eco Pad 14", Ø 355 mm, weiß, VPE 5	
10	10001919	1	Eco Pad 14", Ø 355 mm, grün, VPE 5	
11	9100000302	1	Sauglippen-Set Gummi, 370 mm, 14,5"	
12	55942267	1	BRACKET TC1 KIT	

No Diagram Available

Parts List Only

Pos.	Artikel-Nr.	Menge	Variante	Notes
1	9099011000	1	Befüllschlauch	
2	9100000001	1	Bürste Prolite, 370 mm, 14,5"	
3	9100000000	1	Bürste Union Mix, 370 mm, 14,5"	
4	9100000002	1	Bürste Mid Grit, 370 mm, 14,5"	
5	9100000003	1	Bürste Midlite 370mm 14,5" grau	
6	9099672000	1	Padhalter Ø 355 mm, 14"	
7	10001918	1	Eco Pad 14", Ø 355 mm, braun, VPE 5	
8	10001920	1	Eco Pad 14", Ø 355 mm, rot, VPE 5	
9	10001921	1	Eco Pad 14", Ø 355 mm, weiß, VPE 5	
10	10001919	1	Eco Pad 14", Ø 355 mm, grün, VPE 5	
11	9100000302	1	Sauglippen-Set Gummi, 370 mm, 14,5"	
12	55942267	1	BRACKET TC1 KIT	



Hotline: 0 73 03 / 901 980

Zur Aumühle 36 | 89257 Illertissen
Tel.: 0 73 03 / 901 980 | Fax 0 73 03 / 901 981 8
info@wap-nilfisk-alto-shop.de

www.wap-nilfisk-alto-shop.de