

Hotline: 0 73 03 / 901 980

R O B E
Reinigungsmaschinen

Zur Aumühle 36 | 89257 Illertissen
Tel.: 0 73 03 / 901 980 | Fax 0 73 03 / 901 981 8
info@wap-nilfisk-alto-shop.de

www.wap-nilfisk-alto-shop.de

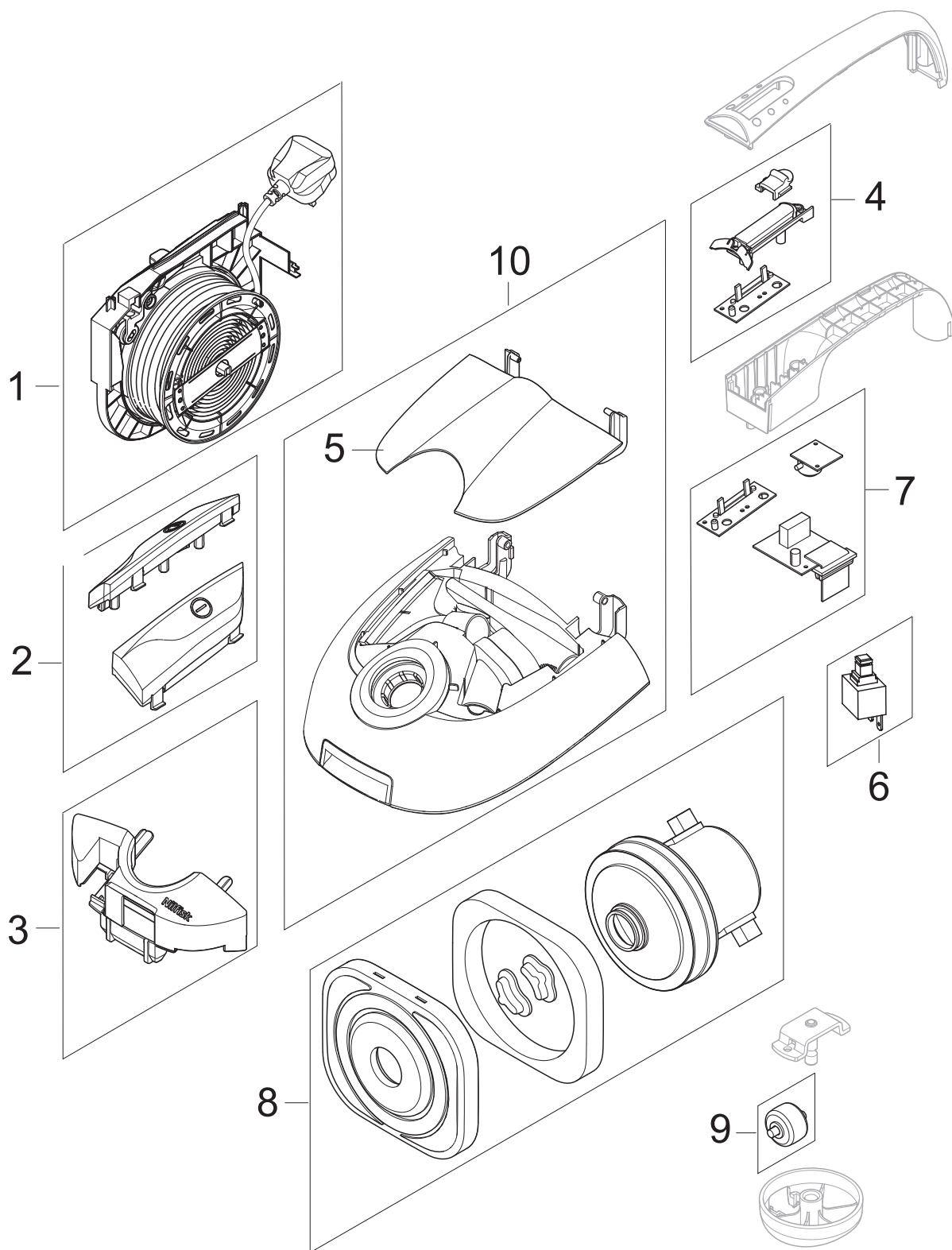
PARTS LIST



2020.04.28

TABLE OF CONTENTS

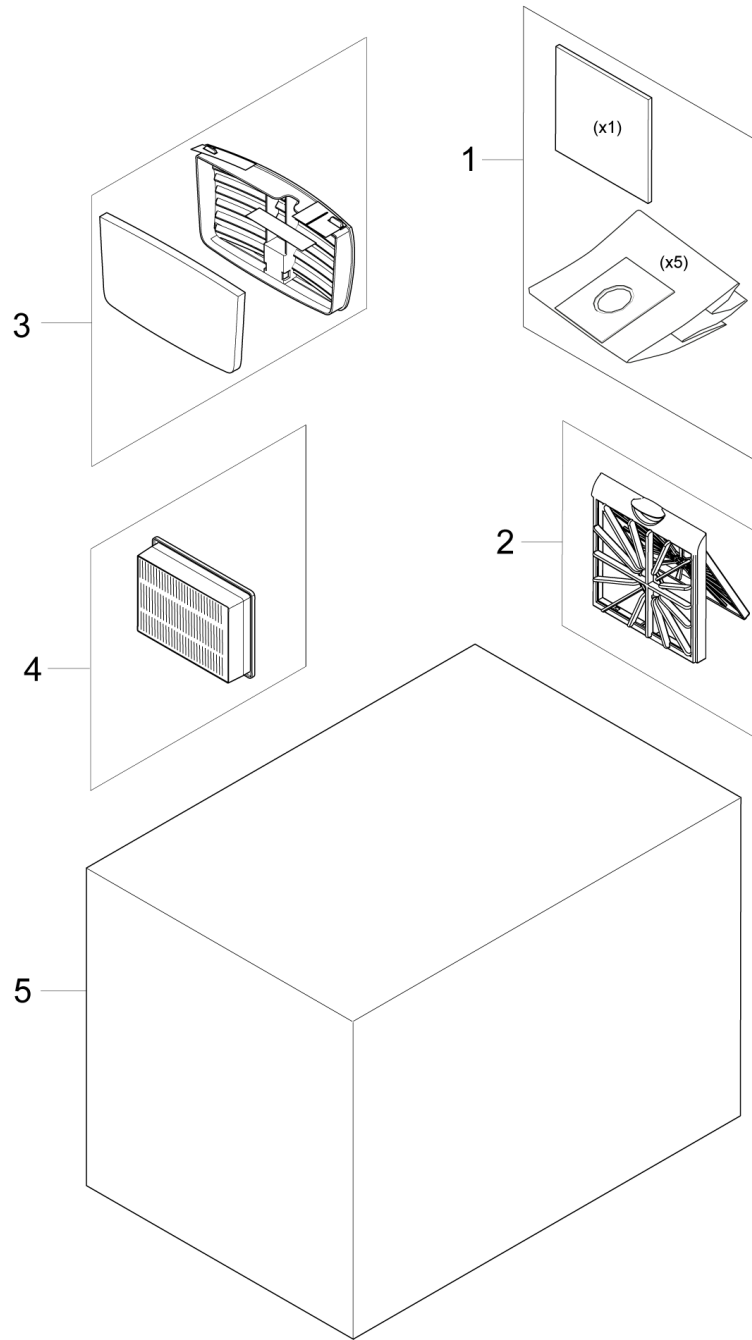
Motor - cable rewind - buttons - PCB1
Filters - sale box.....3
Hose and tubes.....5
Nozzles.....7



Pos.	Artikel-Nr.	Menge	Variante	Notes
1	30050411	1	kabelaufwicklung	
1	30050413	1	CABLE RE-WINDER AUS/NZ	
1	30050412	1	CABLE RE-WINDER UK	[1]
2	30050420	1	EIN/AUS / KABELTROMMEL TA	
2	30050422	1	ON/OFF ANDEIN/AUS / KABEL	
2	30050423	1	ON/OFF AND CABLE REWIND BUTTONS - ANTHRA	
2	30050421	1	EIN/AUS / KABELTROMMEL TA	
2	30050417	1	ON/OFF AND CABLE REWIND BUTTONS - RED	
3	30050418	1	Staubsackhalterung Bravo	
4	30050416	1	SPEED REGULATOR CPL WIRE AND SPEED PCB	
5	128350000	1	ACCESSORY COVER SPITFIRE RED	
5	128350001	1	ACCESSORY COVER SILVER	
5	128350002	1	ACCESSORY COVER GOLD DUST	
5	128350003	1	ACCESSORY COVER ANTHRACITE	
5	128350004	1	ACCESSORY COVER GREEN METALLIC	
5	128350005	1	ACCESSORY COVER BLUE SURF	
6	30050019	1	Ein / Ausschalter	
7	30050410	1	PCB COMPLETE 3 DIFF UNIT	
8	107411457	1	MOTOR 230V 700W BRAVO	
8	107411456	1	MOTOR 230V 1600W BRAVO	
8	30050425	1	Motorbaugruppe 220-240V	
8	30050409	1	MOTOR 230V 2000 W HIGH EFFICIENCY	[2]
8	30050424	1	MOTOR 240V 2000 W HIGH EFFICIENCY	[3]
9	31000899	1	Schwenkrad BRAVO	

Part Notes:

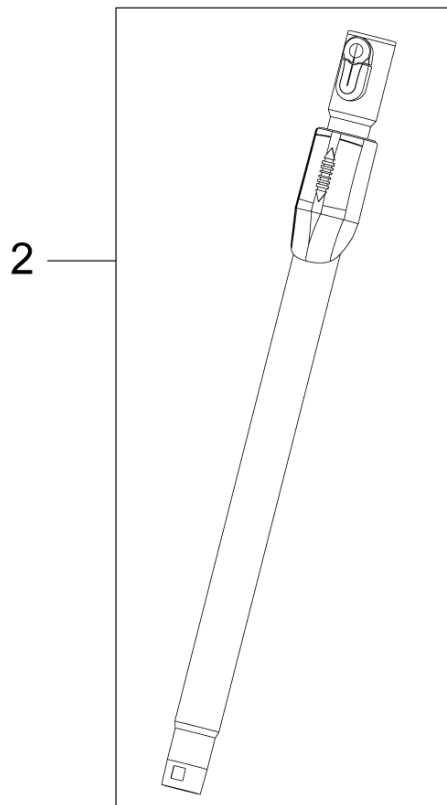
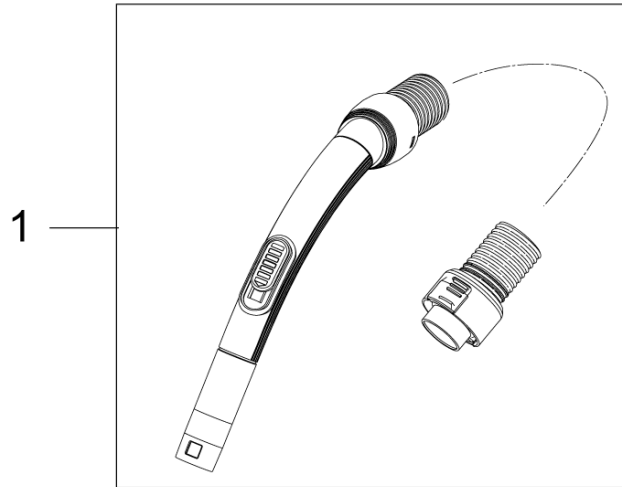
- [1] - NO LONGER AVAILABLE
 [2] - For 230 V HE models
 STOCK COVERS GUARANTEE
 [3] - For 240 V HE models



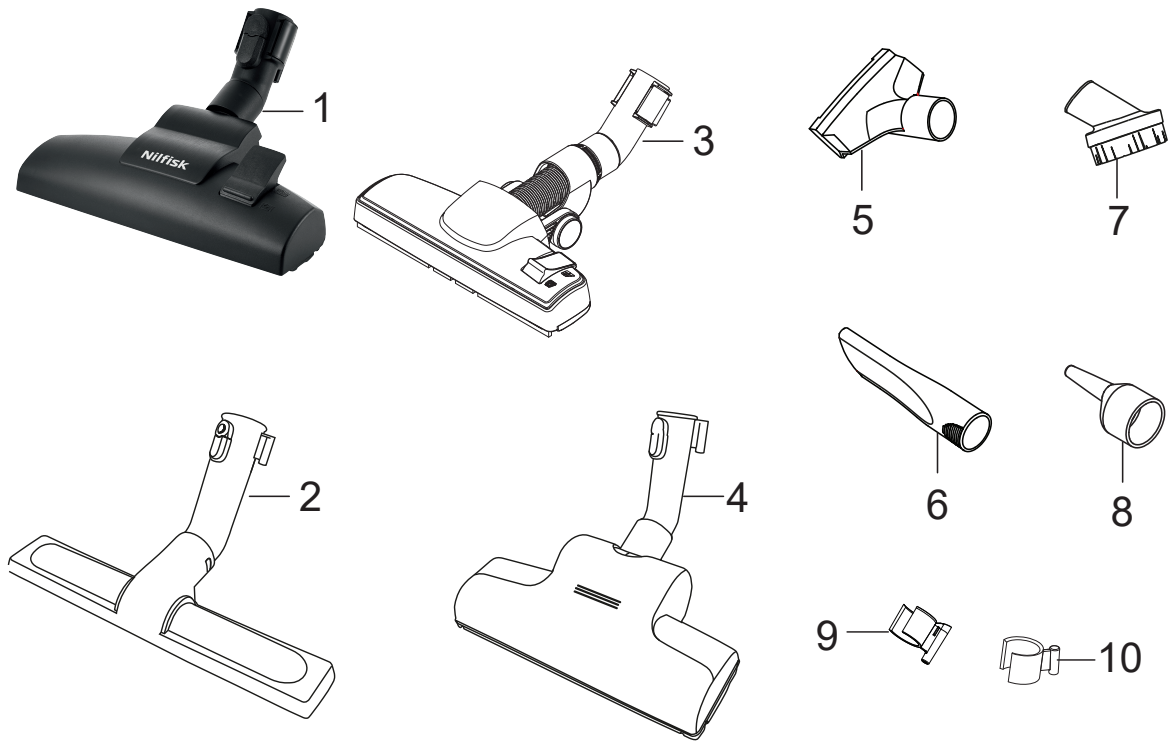
Pos.	Artikel-Nr.	Menge	Variante	Notes
1	107416244	1	BRAVO warranty box set	[1]
1	30050002	1	Staubbeutel GM 100 / A2005 Stk. inkl. 1	
2	30050406	1	ACTIVE COAL PRE-FILTER	
2	78601100	1	Halterung Hepa Filter Cou	[2]
3	30050414	1	EXHAUST FILTER FRAME	
4	30050404	1	Hepa Filter	
4	30050405	1	HEPA FILTER AUSWASCHBAR	
5	31000878	1	SALES CARDBOARD BOX 700W/1600W Erp BRAVO	[2]
5	128350998	1	10PCS BRAVO BOX	[3]

Part Notes:

- [1] - BOM COMPONENTS OBSOLETE
- [2] - STOCK COVERS GUARANTEE
- [3] - 1600W AUS/NZ



Pos.	Artikel-Nr.	Menge	Variante	Notes
1	30050419	1	Schlauch mit Kupplung	
2	30050407	1	Teleskoprohr Chrom	



Pos.	Artikel-Nr.	Menge	Variante	Notes
1	107413006	1	C Kombidüse Eco Bravo Elite	
2	30050402	1	Hartbodendüse	
3	128389015	1	HB15 POWER COMBI NOZZLE W. CLICK FIT AC	[1]
4	30050403	1	Turbodüse Click-Fit	
5	82214900	1	Polsterdüse	
6	82214800	1	Fugendüse 32mm A 200	
7	82215000	1	Pinselfüse 32mm A 200	
8	30050408	1	Düse Blasfunktion	
9	147 0585 500	1	Verstauklemme schwarz	[2]
10	107409796	1	PARKING CLIP FROM 09.2014	[3]

Part Notes:

- [1] - 1600W AUS/NZ
- [2] - Not used for 1600W AUS/NZ
- [3] - STOCK COVERS GUARANTEE

