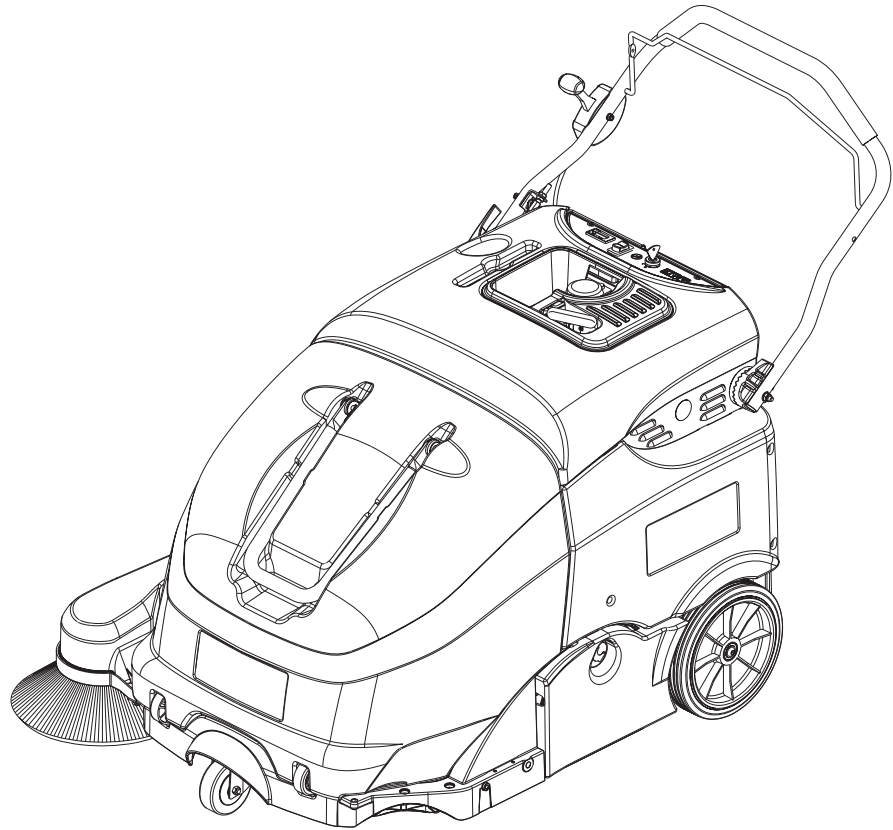


CE 08/2013
(1)
1465372000

Hotline: 0 73 03 / 901 980
ROBE Reinigungsmaschinen
Zur Aumühle 36 | 89257 Illertissen
Tel.: 0 73 03 / 901 980 | Fax 0 73 03 / 901 981 8
info@wap-nilfisk-alto-shop.de
www.wap-nilfisk-alto-shop.de



Model: 9084111010



SW900

PARTS LIST



TABLE OF CONTENTS

GENERAL VIEW	2
CHASSIS SYSTEM.....	4
FRAME SYSTEM.....	6
COVERS SYSTEM.....	8
CONTROL PANEL SYSTEM.....	10
HANDLE SYSTEM.....	12
TRASMISSION SYSTEM.....	14
ENGINE SYSTEM.....	16
WHEELS SYSTEM.....	18
MAIN BROOM SYSTEM.....	20
RIGHT BROOM.....	22
LEFT BROOM (OPTIONAL).....	24
FILTER SYSTEM.....	26
FILTER SHAKER SYSTEM.....	28
HOPPER SYSTEM.....	30
ELECTRICAL SYSTEM.....	32
ACCESSORIES.....	34
WIRING DIAGRAM.....	36
RECOMMENDED PARTS.....	38
OPTIONAL	39

WHEN ORDERING PARTS

- * Use the part numbers from the "Ref. No." columns in this parts list. If the "Ref. No." column is blank; look under the "Kit" column to identify which kit contains the part in question, then use the kit callout,
- * Specify the model and serial number of the machine.
- * Use the space below to record the model and serial number for future reference.

Model

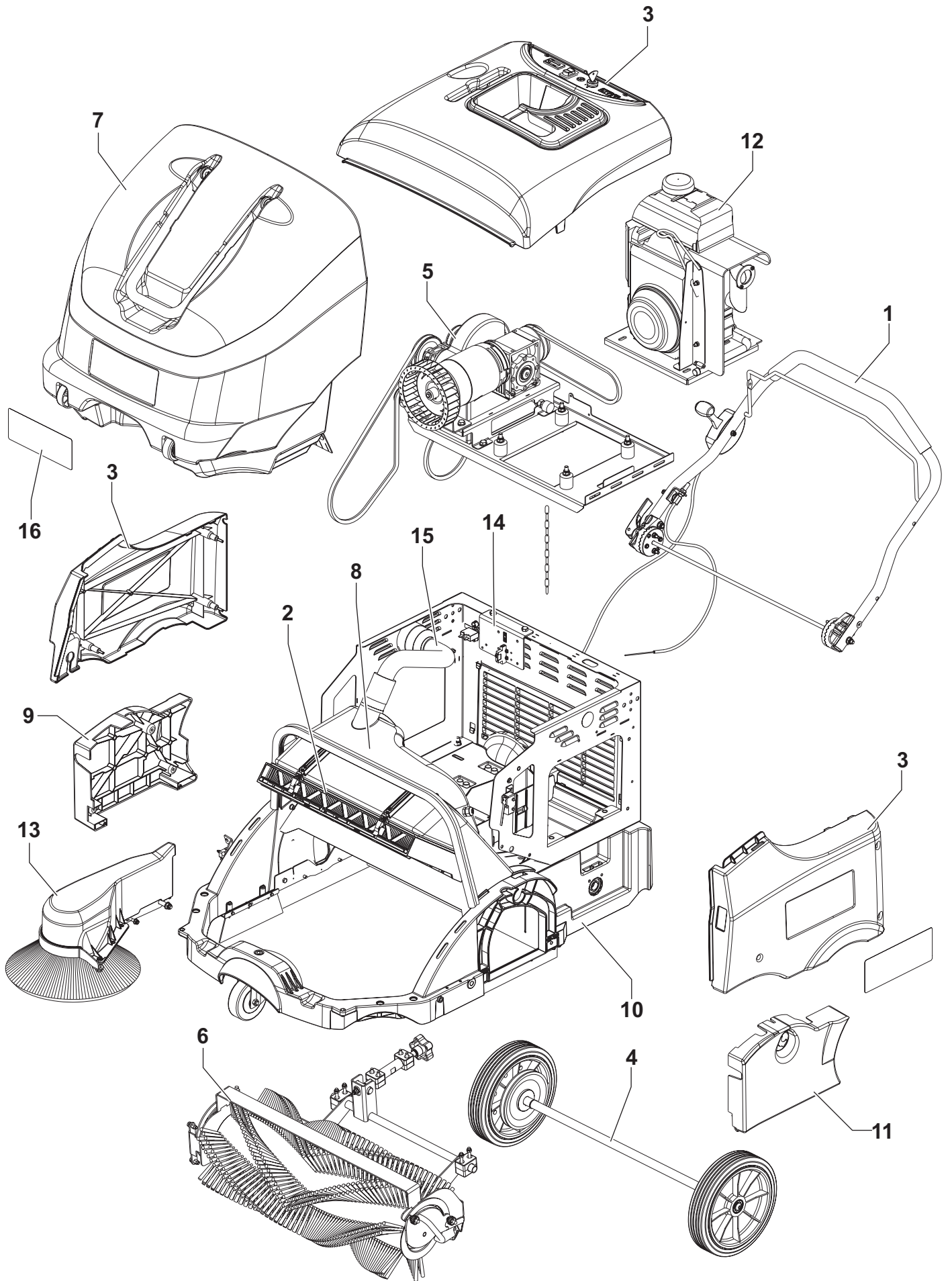
Serial No.

* = Optional

= Modified item No. or New item No.

[] = Not shown

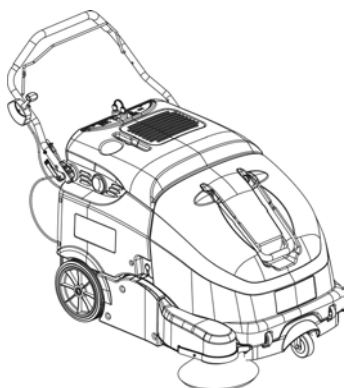
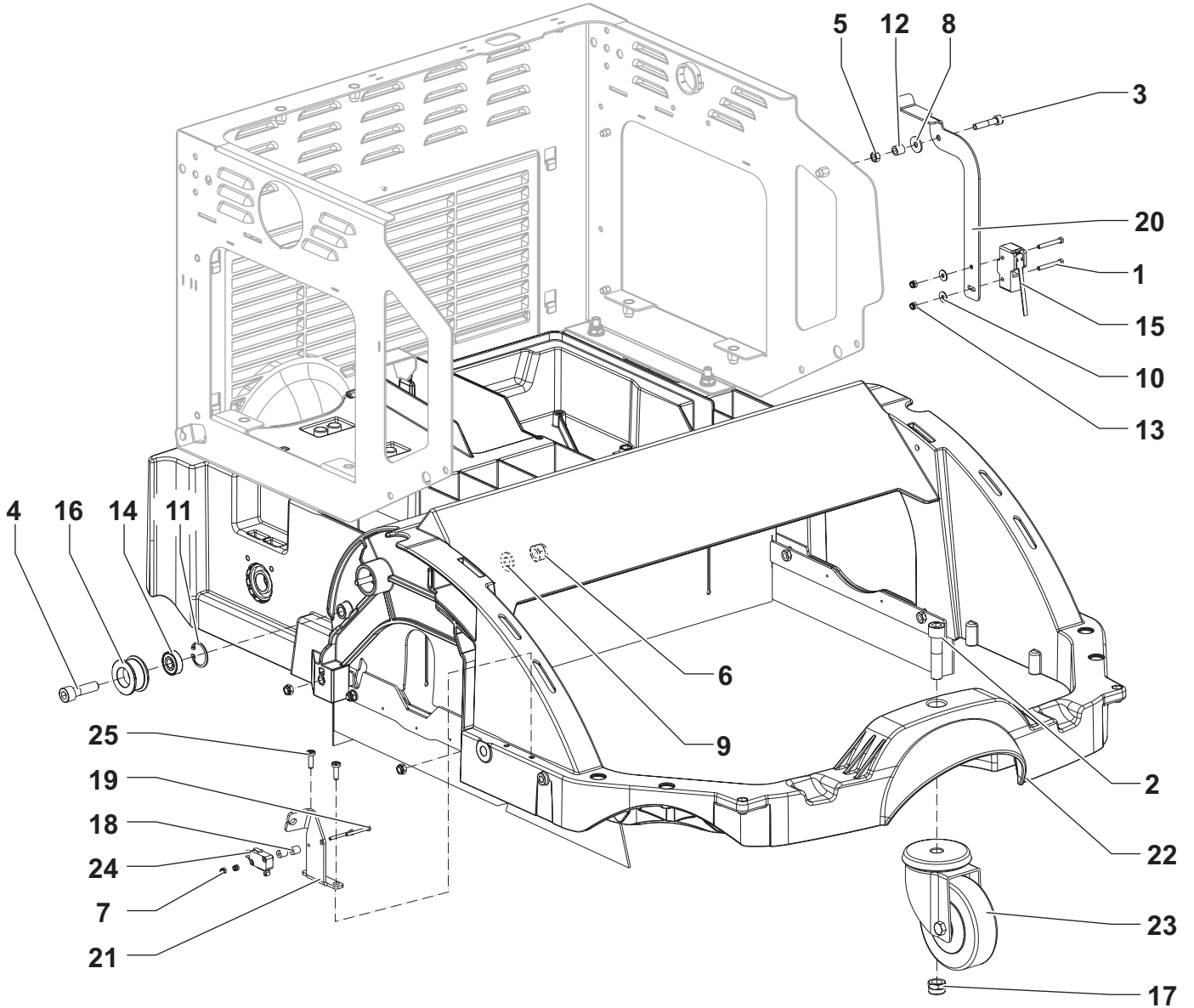
GENERAL VIEW



GENERAL VIEW

KIT	ITEM	REF. NO.	QTY	DESCRIPTION	DESCRIZIONE
	1	-	1	HANDLE BAR ASSEMBLY	ASSIEME MANIGLIONE
	2	-	1	FILTER ASSEMBLY	GRUPPO FILTRO
	3	-	1	COVERS PROTECTION ASSEMBLY	ASSIEME PROTEZIONI MACCHINA
	4	-	1	WHEELS TRACTION ASSEMBLY	GRUPPO ASSE RUOTE TRAZIONE
	5	-	1	TRANSMISSION ASSEMBLY	ASSIEME TRASMISSIONE
	6	-	1	CENTRAL BROOM ASSEMBLY	GRUPPO SPAZZOLA CENTRALE
	7	-	1	HOPPER ASSEMBLY	ASSIEME CONTENITORE RIFIUTI
	8	-	1	SHAKER ELECTRIC FILTER ASSEMBLY	ASSIEME SCUOTIFILTRO ELETTRICO
	9	-	1	HATCH RIGHT ASSEMBLY	ASSIEME SPORTELLI DX
	10	-	1	CHASSIS ASSEMBLY	GRUPPO TELAIO
	11	-	1	HATCH LEFT ASSEMBLY	GRUPPO FIANCHETTO SX
	12	-	1	ENGINE ASSEMBLY	GRUPPO MOTORE
	13	-	1	BROOM RIGHT SIDE ASSEMBLY	ASSIEME SPAZZOLA LATERALE DX
	14	-	1	WIRING SYSTEM ASSEMBLY	ASSIEME IMPIANTO ELETTRICO
	15	-	1	WET BY-PASS ASSEMBLY	ASSIEME WET BY-PASS
	16	1465458000	1	DECALS SW900 NILFISK KIT	KIT ADESIVI SW900 NILFISK

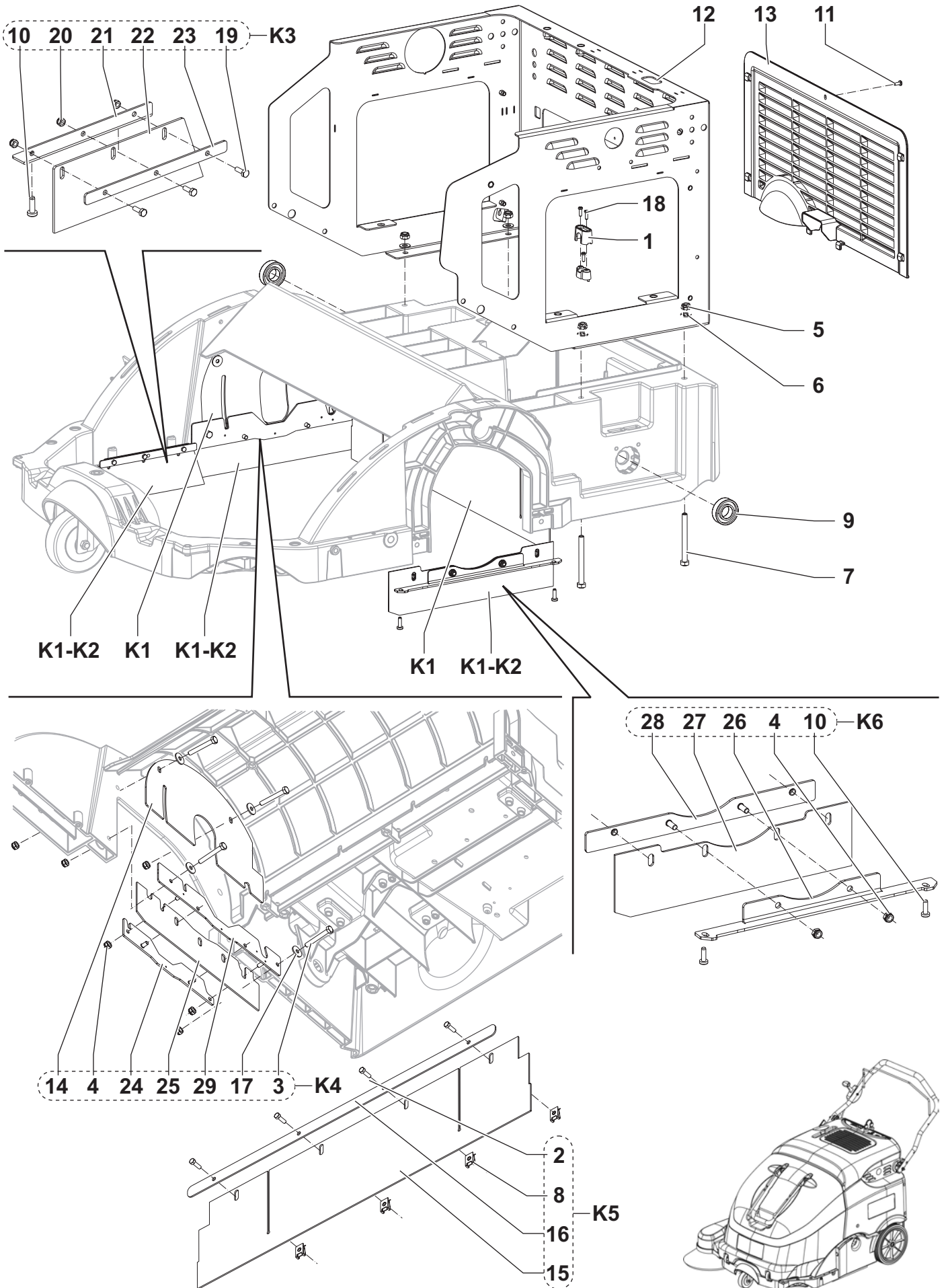
CHASSIS SYSTEM



CHASSIS SYSTEM

KIT	ITEM	REF. NO.	QTY	DESCRIPTION	DESCRIZIONE
K1	1		2	SCREW M4X30 UNI5739	UNI5739 M4X30 VITE TE TF 8.8 ZNB
K1	2		1	SCREW M12X50 UNI5931 SS	UNI5931 M12X50 VITE TCEI INOX
K1	3		1	SCREW M6X30 UNI5931	UNI5931 M6X30 VITE TCEI 8.8 ZN
K1	4		1	SCREW M10X35 UNI5931	UNI5931 M10X35 VITE TCEI 8.8 ZNB
K1	5		1	NUT SELF L. M6 UNI7474	UNI7474 M6 DADO AUTOB BASSO 6S ZNB
K1	6		1	NUT SELF L. M10 UNI7473	UNI7473 M10 DADO AUTOB 6S ZNB
K1	7		2	NUT SELF L. M3 UNI7474	UNI7474 M3 DADO AUTOB BASSO 6S ZNB
K1	8		1	WASHER 6X18 UNI6592	UNI6592 6X18 ROND PIANA ZNB
K1	9		1	WASHER M10 UNI6592	UNI6592 M10 ROND PIANA ZNB
K1	10		2	WASHER 4X12 UNI6593	UNI6593 4X12 ROND GREMB ZNB
K1	11		1	RING D 26 UNI7437	UNI7437 D 26 SEEGER PER FORO BRN
K1	12		1	SPACER 6.5X10X10	6.5X10X10 DISTANZIALE
K1	13		2	NUT SELF L. M4 UNI7474	UNI7474 M4 DADO AUTOB BASSO 6S ZNB
K1	14		1	BALL BEARING 6000 2RS	CUSCINETTO 6000 2RS
	15	145 9679 000	1	MICROSWITCH 10A 250V	MICROINTERRUTTORE 10A 250V MS50
K1	16		1	ROLLER BELT TENSIONER	RULLO TENDICINGHIA
K1	17		1	NUT SELF L. M12 UNI7474	UNI7474 M12 DADO AUTOB BASSO 6S ZNB
K1	18		2	SPACER 3X8X9	3X8X9 DISTANZIALE
K1	19		2	SCREW M3X30 UNI5737	UNI5737 M3X30 VITE TE PF 8.8 ZNB
	20	1464998000	1	BRACKET FOR CONTAINER-COVER SWITCH	SUPPORTO MICRO CASSONE-COFANO
	21	1465013000	1	SUPPORT RIGHT SIDE BROOM SWITCH	SUPPORTO MICRO SPAZZOLA DX
	22	1465015000	1	CHASSIS	TELAIO
	23	909 6602 000	1	WHEEL CASTOR	RUOTA PIVOETTANTE c. 1NFT1000QR0PN
	24	909 6677 000	1	MICROSWITCH	MICROINTERRUTTORE TIPO NAIS
K1	25		2	SCREW CYL HD 5X16 SELF L.	VITE AUTOF TC+ 5X16
	[K1]	1465461000	1	HARDWARE CHASSIS KIT	KIT VITERIA TELAIO

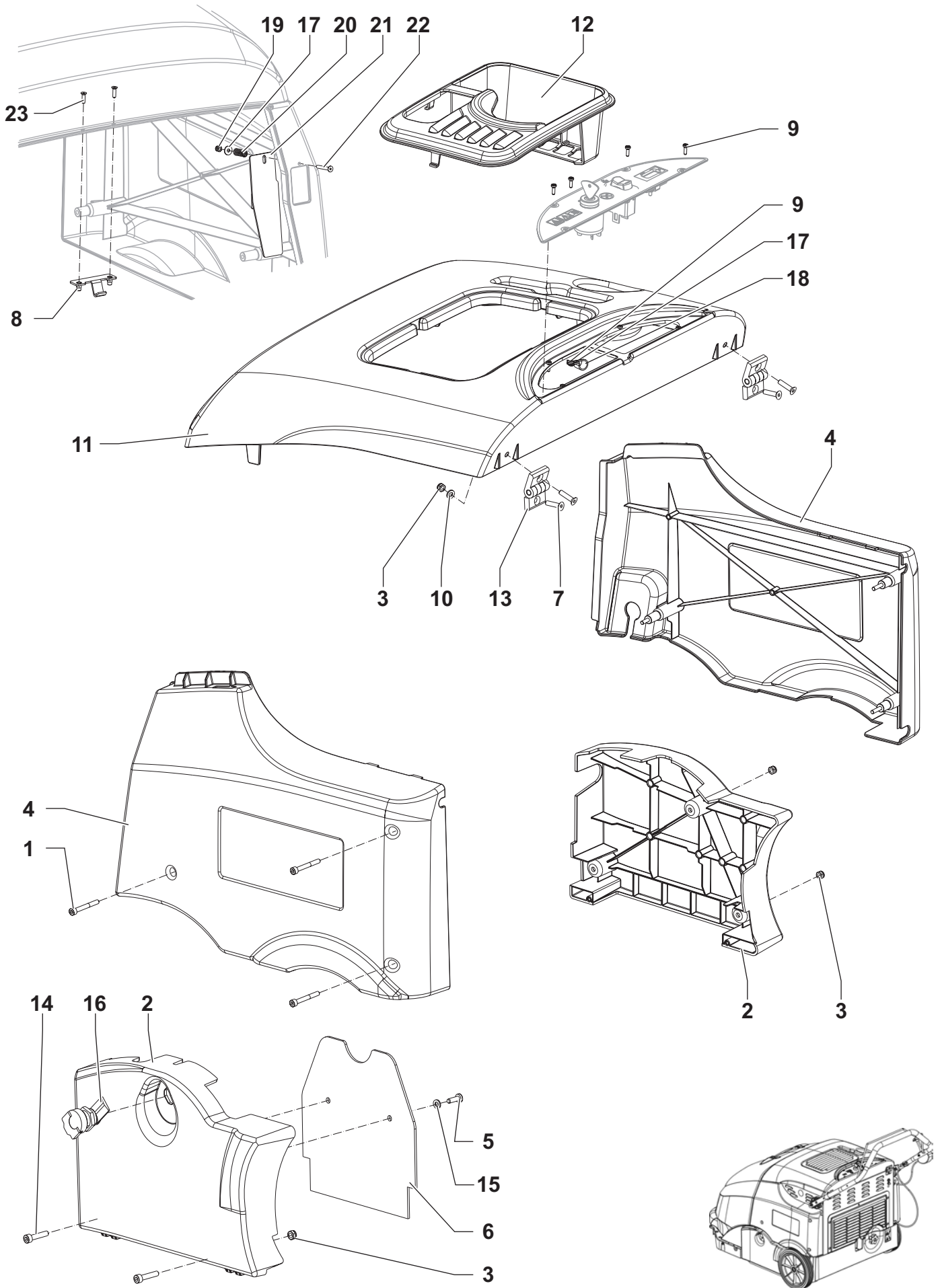
FRAME SYSTEM



FRAME SYSTEM

KIT	ITEM	REF. NO.	QTY	DESCRIPTION	DESCRIZIONE
K7	1		1	CAP BRACKET	MORSETTO FISSACAVO (COL. BIANCO) UL c.
K5-7	2		4	SCREW M5X16 UNI5739	UNI5739 M5X16 VITE TE TF 8.8 Z
K4-7	3		3	SCREW M6X45 UNI5739	UNI5739 M6X45 VITE TE TF 8.8 ZNB
K4-7	4		6	NUT SELF L. M6 UNI7474	UNI7474 M6 DADO AUTOB BASSO 6S ZNB
K7	5		4	NUT SELF L. M8 UNI7474	UNI7474 M8 DADO AUTOB BASSO 6S
K7	6		4	WASHER M8 UNI6592	UNI6592 M8 ROND PIANA ZNB
K7	7		4	SCREW M8X75 UNI5739	UNI5739 M8X75 VITE TE TF 8.8 ZNB
K5-7	8		4	CLIP FOR SCREW	CLIPS PER VITE M 5
K7	9		2	BEARING BALL 6004 2RS	CUSCINETTO A SFERE 6004 2RS
K3-6	10		4	SCREW CYL HD 5X16 SELF L.	VITE AUTOF TC+ 5X16
K7	11		1	SCREW THREAD ROLLING M4X12	DIN7500 M4X12 VITE AUTOF. TE FLA Z
	12	1464654000	1	CHASSIS REAR	TELAIO POSTERIORE
	13	1464655000	1	GRID REAR VENTING	GRIGLIA POSTERIORE
K1-4	14		1	PROTECTION RUBBER RIGHT SIDE	PROTEZIONE IN GOMMA LATO DX
K1-5	15		1	SKIRT REAR	FLAP POSTERIORE
K5-7	16		1	PLATE REAR FLAP	BANDELLA FLAP POSTERIORE
K4-7	17		2	WASHER 6X18 UNI6592	UNI6592 6X18 ROND PIANA ZNB
K7	18		3	SCREW 3.5X12	3.5X12 VITE AUTOF TCB PZ
K3-7	19		3	SCREW M4X12 UNI5739	UNI5739 M4X12 VITE TE TF 8.8 ZNB
K3	20		3	NUT SELF L. M4 UNI7474	UNI7474 M4 DADO AUTOB BASSO 6S ZNB
K3	21		1	SUPPORT FOR RECYCLING SKIRT	SUPPORTO FLAP DI RECUPERO
K1-3	22		1	SKIRT RECYCLING	FLAP DI RECUPERO
K3	23		1	PLATE FOR RECYCLING SKIRT	BANDELLA FLAP DI RECUPERO
K4	24		1	PLATE FOR RIGHT SKIRT EXTERNAL	PIATTO PER FLAP DESTRO ESTERNO
K1-4	25		1	SKIRT RIGHT SIDE	FLAP LATERALE DESTRO
K6	26		1	PLATE FOR LEFT SKIRT EXTERNAL	PIATTO PER FLAP SINISTRO ESTERNO
K1-6	27		1	SKIRT LEFT SIDE	FLAP LATERALE SINISTRO
K6	28		1	PLATE FOR LEFT SKIRT INTERNAL	PIATTO PER FLAP SINISTRO INTERNO
K4	29		1	PLATE FOR RIGHT SKIRT INTERNAL	PIATTO PER FLAP DESTRO INTERNO
	K1	1465463000	1	SKIRTS KIT	KIT FLAPS
	K2*	1465541000	1	SKIRTS NO MARKING KIT	KIT FLAP ANTITRACCIA
	K3	1465595000	1	SKIRTS RECYCLING KIT	KIT FLAP DI RECUPERO
	K4	1465596000	1	SKIRT RIGHT SIDE KIT	KIT FLAP LATERALE DX
	K5	1465597000	1	SKIRT REAR KIT	KIT FLAP POSTERIORE
	K6	1465598000	1	SKIRT LEFT SIDE KIT	KIT FLAP LATERALE SX
	[K7]	1465462000	1	HARDWARE REAR CHASSIS KIT	KIT VITERIA TELAIIO POSTERIORE

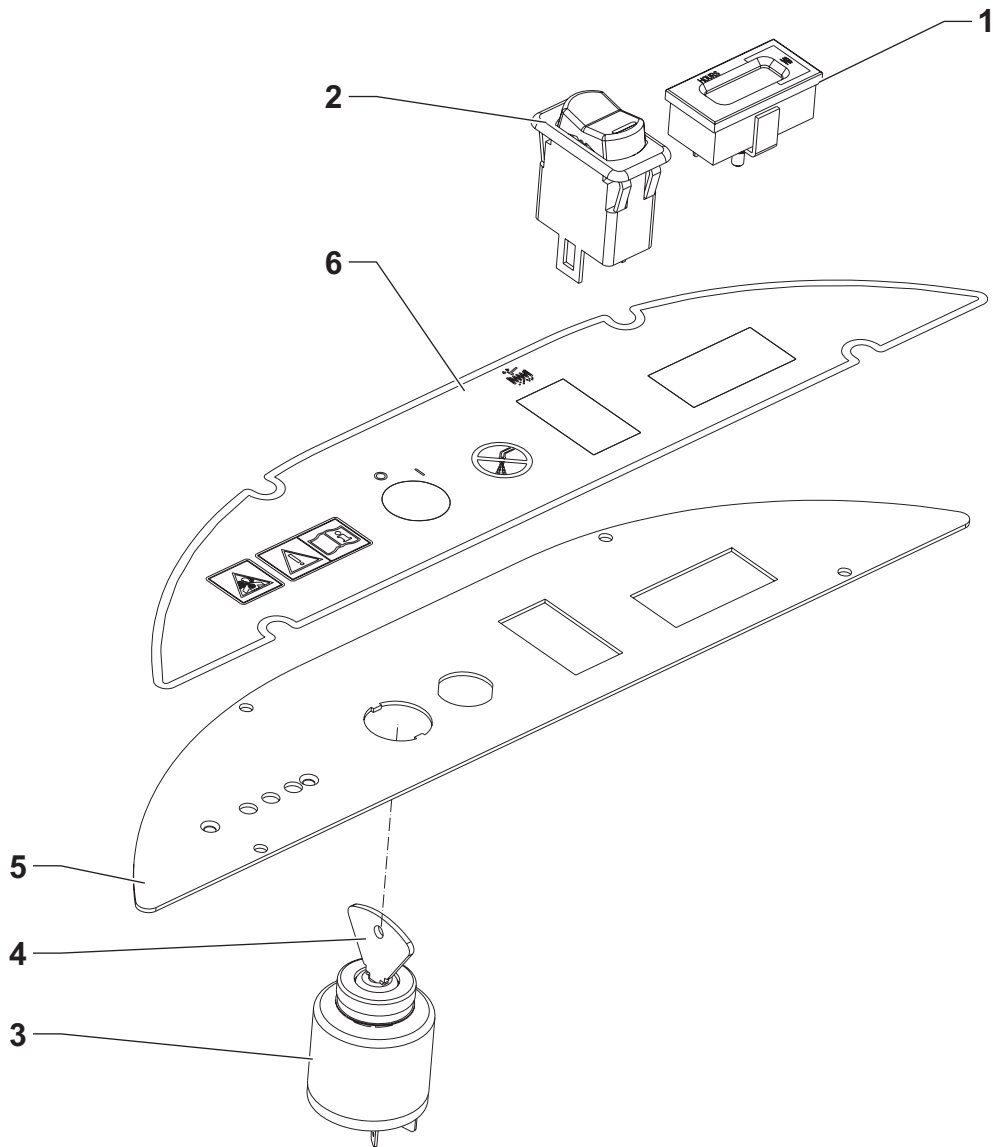
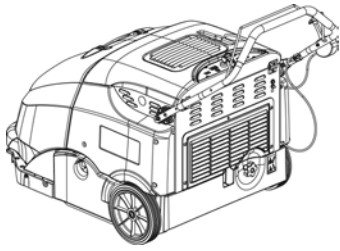
COVERS SYSTEM



COVERS SYSTEM

KIT	ITEM	REF. NO.	QTY	DESCRIPTION	DESCRIZIONE
K1	1		6	SCREW M5X35 UNI5931	UNI5931 M5X35 VITE TCEI 8.8 ZNB
	2	1465545000	1	COVER UPPER BLACK KIT	KIT COPERTURA SUPERIORE NERA
K1	3		5	NUT SELF L. M6 UNI7474	UNI7474 M6 DADO AUTOB BASSO 6S ZNB
	4	1465546000	1	COVERS SIDE GREY KIT	KIT COPERTURE LATERALI GRIGIE
K1	5		2	SCREW CYL HD 5X16 SELF L.	VITE AUTOF TC+ 5X16
	6	1465104000	1	SKIRT PROTECTION	GOMMA DI PROTEZIONE
K1	7		4	EXCHANGE HEAT	RADIATORE OLIO c.FR642010001
	8	1465482000	1	HOOK FOR BONNET CLOSING	GANCIO CHIUSURA COFANO
K1	9		4	SCREW 3.5X12	3.5X12 VITE AUTOF TCB PZ
K1	10		2	WASHER 6X24X2 UNI6593	UNI6593 6X24X2 ROND GREMB ZNB
	11	1464666000	1	COVER UPPER	COPERTURA SUPERIORE
	12	1465138000	1	COVER UPPER FOR PETROL	COPERTURA SUPERIORE PETROL
K1	13		2	HINGE PLASTIC	CERNIERA IN PLASTICA
K1	14		2	SCREW M6X40 UNI5739	UNI5739 M6X40 VITE TE TF 8.8 ZNB
K1	15		2	WASHER 5X15 UNI6593	UNI6593 5X15 ROND GREMB ZNB
	16	1464896000	1	LATCH WITH FOLD AWAY	CHIUSURA CON MANOPOLA
K1	17		2	WASHER 4X12 UNI6593	UNI6593 4X12 ROND GREMB ZNB
K1	18		1	CLAMP.CABLE	FASCETTA STRINGICAVO d.12 c.305358
K1	19		1	NUT SELF L. M4 UNI7474	UNI7474 M4 DADO AUTOB BASSO 6S ZNB
K1	20		1	SPRING	MOLLA FRENO STAZIONAMENTO
	21	1465527000	1	PROTECTION POLY FOR MICROSWITCH	PROTEZIONE MICRO IN POLICARBONATO
K1	22		1	SCREW M4X30 UNI5933	UNI5933 M4X30 VITE TPSEI TF 10.9 ZNB
K1	23		2	SCREW M4X14 UNI7688	UNI7688 M4X14 VITE TPS+ 4.8 ZNB
	[K1]	1465464000	1	HARDWARE COVERS KIT	KIT VITERIA COFANI

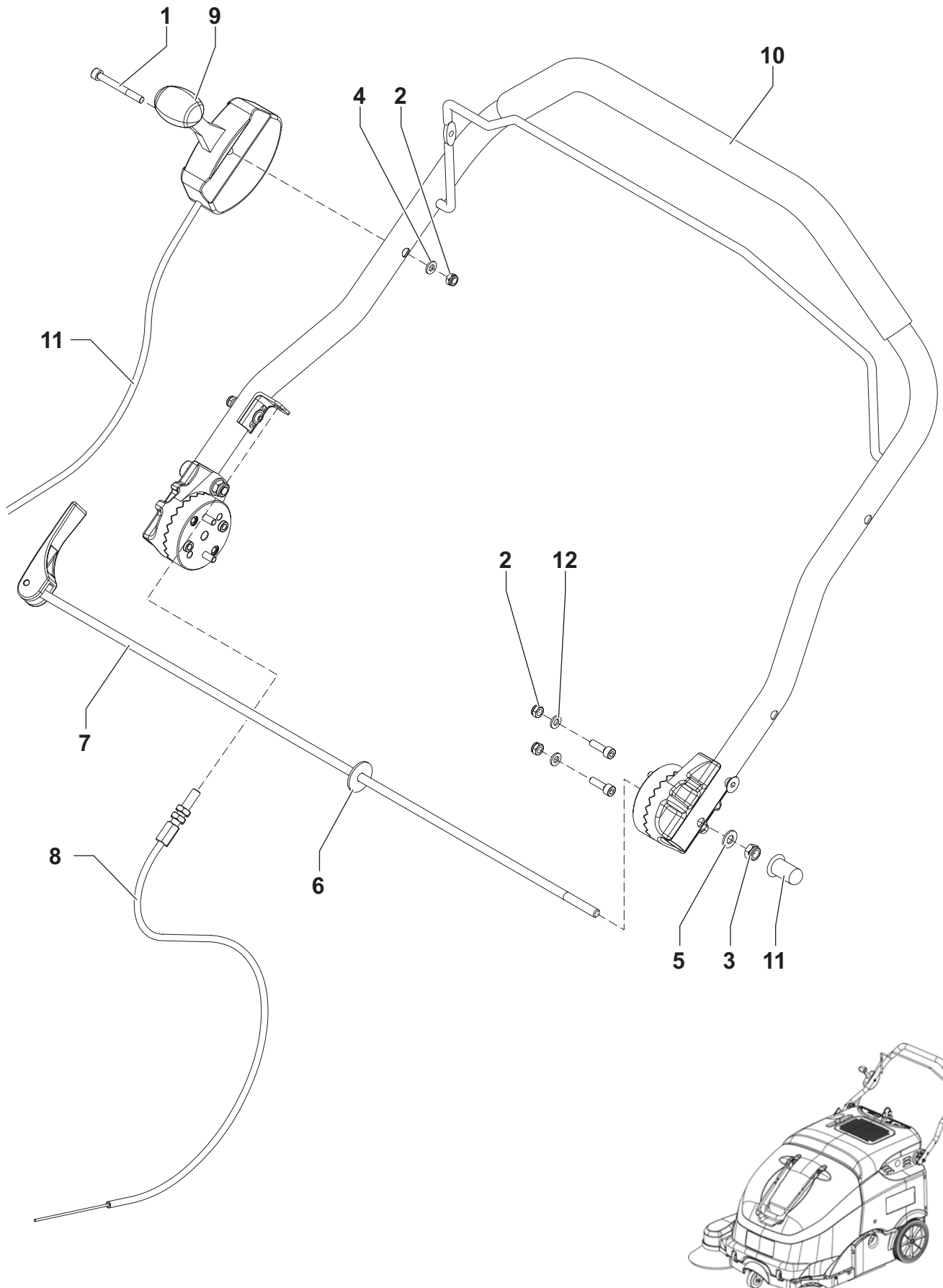
CONTROL PANEL SYSTEM



CONTROL PANEL SYSTEM

KIT	ITEM	REF. NO.	QTY	DESCRIPTION	DESCRIZIONE
	1	1465514000	1	COUNTER HOUR 24V KIT	KIT CONTAORE 24V
	2	1465465000	1	SWITCH KIT	KIT INTERRUTTORE
	3	33020442	1	KEY START ASSY WITH SPAREKEY KIT	KIT BLOCCHETTO AVVIAMENTO COMPLETO
	4	146 0073 00	1	KEY	CHIAVE DI ACCENSIONE c.14109108 c.000900
	5	1464765000	1	PANEL CONTROL	PLANCIA COMANDI
	6	1465009000	1	DECAL CONTROL PANEL SW900 84P	SERIGRAFIA PLANCIA SW900 84P

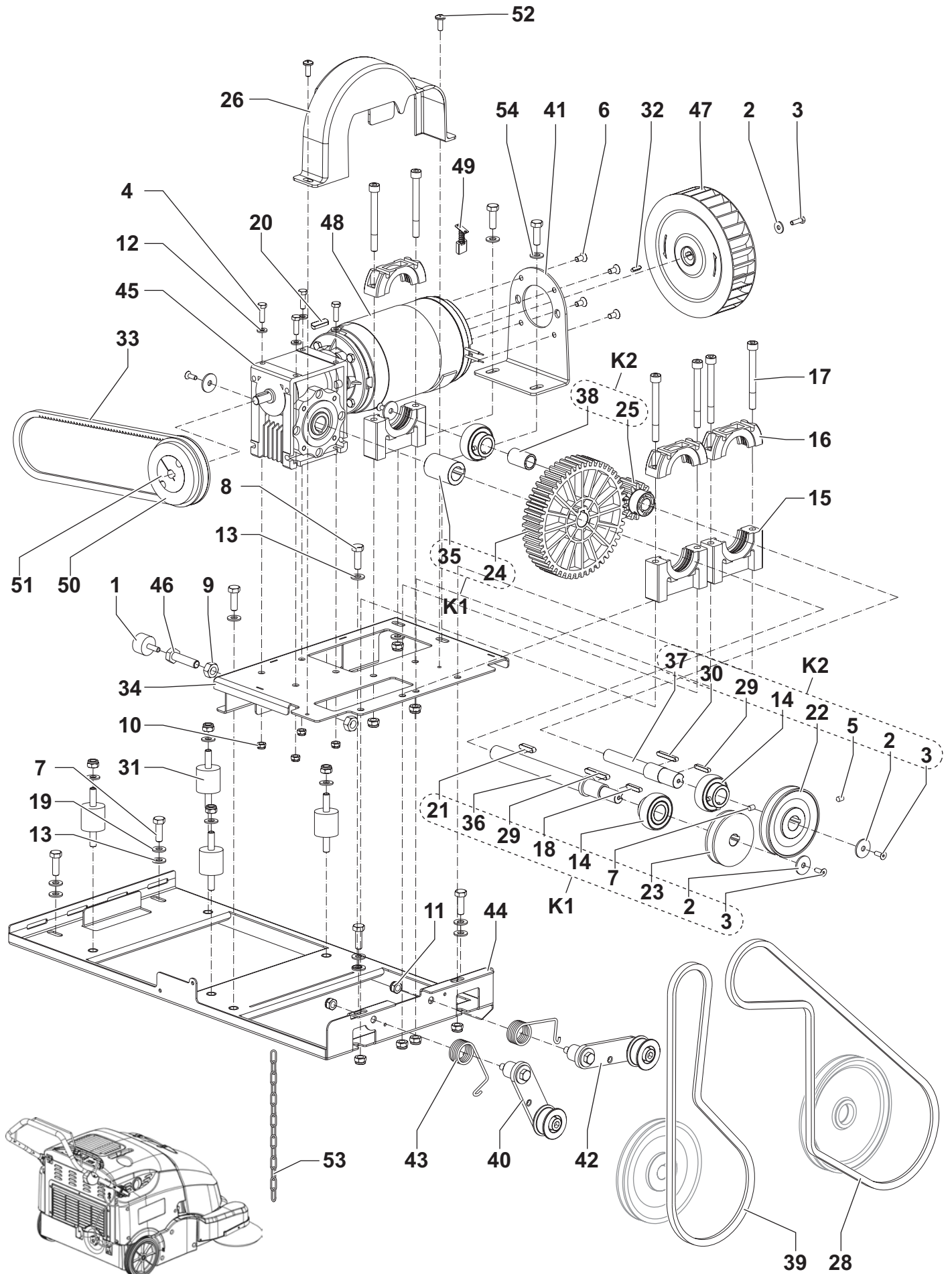
HANDLE SYSTEM



HANDLE SYSTEM

KIT	ITEM	REF. NO.	QTY	DESCRIPTION	DESCRIZIONE
K1	1		1	SCREW M6X55 UNI5931 D.6X55	UNI5931 M6X55 VITE TCEI 8.8 ZNB
K1	2		6	NUT SELF L. M6 UNI7474	UNI7474 M6 DADO AUTOB BASSO 6S ZNB
K1	3		1	NUT SELF L. M8 UNI7474	UNI7474 M8 DADO AUTOB BASSO 6S
K1	4		1	WASHER M6 UNI6592	UNI6592 M6 ROND PIANA ZNB
K1	5		1	WASHER M8 UNI6592	UNI6592 M8 ROND PIANA ZNB
K1	6		1	WASHER 8X32X2	DIN522 8X30X2 ROND GREMB ZNB
	7	1464673000	1	LEVER HANDLE RELEASE	LEVA A SCATTO
	8	1464908000	1	CABLE TRACTION	CAVO TRAZIONE
	9	1465017000	1	LEVER RIGHT SIDE BROOM CONTROL	LEVA COMANDO SPAZZOLA LAT. DX
	10	1465222000	1	HANDLE BAR STRAIGHT	MANIGLIONE QUADRATO
	11	1465532000	1	CABLE FOR SIDE BROOM LEVER	CAVO LEVA SPAZZOLA LAT.
	12	L08228600	4	WASHER 6X18 UNI6592	UNI6592 6X18 ROND PIANA ZNB
	[K1]	1465466000	1	HARDWARE HANDLE KIT	KIT VITERIA MANIGLIONE

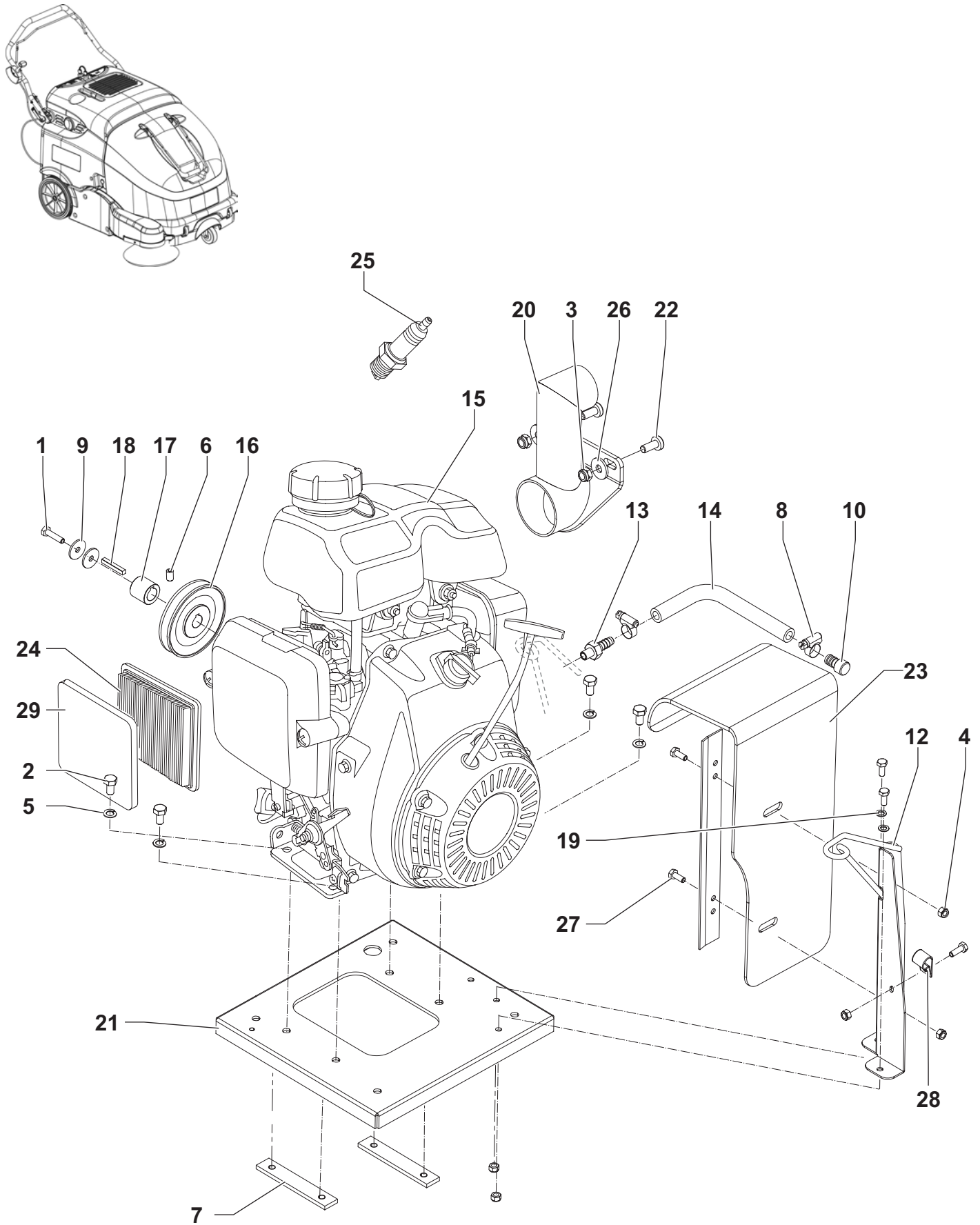
TRANSMISSION SYSTEM



TRASMISSION SYSTEM

KIT	ITEM	REF. NO.	QTY	DESCRIPTION	DESCRIZIONE
	1	33003131	1	VIBRATION-DAMPING M6	ANTIVIBRANTE ART. 781063 M6 D.25-L16
K1-2-3	2		5	WASHER 6X24X2 UNI6593	UNI6593 6X24X2 ROND GREMB ZNB
K1-2-3	3		5	SCREW M5X14 UNI5933	UNI5933 M5X14 VITE TPSEI TF 10.9 ZNB
K3	4		4	SCREW M6X20 UNI5739	UNI5739 M6X20 VITE TE TF 8.8 Z
K2	5		1	SCREW GRUB M6X10 UNI5929	UNI5929 M6X10 VITE STEI P.COPPA 10.9 BRN
K3	6		4	SCREW M6X12 UNI5933	UNI5933 M6X12 VITE TPSEI TF 10.9 ZNB
K1	7		2	SCREW GRUB M6X10 UNI5927	UNI5927 M6X10 VITE STEI P.TRONCOCON 10.9
K2	8		8	SCREW M8X25 UNI5739 GALVANIZED	UNI5739 M8X25 VITE TE TF 8.8 ZNB
K3	9		2	NUT HEX M10 UNI5588	UNI5588 M10 DADO ES 6S ZNB
K3	10		4	NUT SELF L. M6 UNI7474	UNI7474 M6 DADO AUTOB BASSO 6S ZNB
K3	11		12	NUT SELF L. M8 UNI7474	UNI7474 M8 DADO AUTOB BASSO 6S
K3	12		6	WASHER M6 UNI6592	UNI6592 M6 ROND PIANA ZNB
K3	13		10	WASHER M8 UNI6592	UNI6592 M8 ROND PIANA ZNB
K1-2	14	145 1123 000	3	BALL BEARING YAT204	CUSCINETTO YAT204
	15	145 1976 000	3	SUPPORT BEARING LOWER	SUPPORTO CUSCINETTO INFERIORE
	16	145 1977 000	3	SUPPORT BEARING UPPER	SUPPORTO CUSCINETTO SUPERIORE
K3	17		6	SCREW M8X80 UNI5931	UNI5931 M8X80 VITE TCEI 8.8 ZNB
K1	18		1	KEY 5X5X25 UNI6604A	UNI6604A 5X5X25 LINGUETTA FORMA A
K3	19		6	WASHER M8 UNI1751B	UNI1751B M8 ROND GROWER ZNB
K3	20		1	KEY 5X5X20 UNI6604A	UNI6604A 5X5X20 LINGUETTA FORMA A
K1	21		1	KEY 6X6X25 UNI6604A	UNI6604A 6X6X25 LINGUETTA FORMA A
K2	22		1	PULLEY D.85	PULEGGIA d. 85 SPZ
K1	23		1	PULLEY D.65	PULEGGIA d. 65 SPZ
K1	24	146 0523 000	1	GEAR Z50	INGRANAGGIO Z50
K2	25	146 0524 000	1	GEAR Z14	INGRANAGGIO Z14
	26	146 0605 000	1	COVER	COPERCHIO INGRANAGGI
K2	27		1	KEY 3/16X3/16X1	CHIAVETTA 3/16x3/16x1
	28	146 0767 000	1	BELT XPZ 1162	CINGHIA XPZ 1162 DENTATA
K1	29		1	KEY 6X6X40 UNI6604A	UNI6604A 6X6X40 LINGUETTA FORMA A
K2	30		1	KEY 5X5X36 UNI6604A	UNI6604A 5X5X36 LINGUETTA FORMA A
	31	146 1318 000	4	VIBRATION-DAMPING M8 45SH	ANTIVIBRANTE CILINDRICO M8 45SH c.3030/E
K3	32		1	KEY 4X4X15 UNI6604A	UNI6604A 4X4X15 LINGUETTA FORMA A
	33	1464045000	1	BELT KIT	KIT CINGHIA
	34	1464681000	1	SUPPORT GEAR BOX	SUPPORTO RIDUTTORE
K1	35		1	SPACER TRANSMISSION SHAFT	DISTANZIALE ALBERO TRASMISSIONE
K1	36		1	SHAFT TRACTION WHEELS	ALBERO RUOTE TRAZIONE
K2	37		1	SHAFT MAIN BROOM	ALBERO SPAZZOLA CENTRALE
K2	38		1	SPACER BROOM SHAFT	DISTANZIALE ALBERO SPAZZOLA
	39	1464687000	1	BELT XPZ 912	CINGHIA XPZ 912
	40	1465601000	1	TENSIONER BELT WHEELS KIT	KIT TENDICINGHIA RUOTE
	41	1464703000	1	SUPPORT BEARING	SUPPORTO CUSCINETTO
	42	1465602000	1	TENSIONER BELT BROOM KIT	KIT TENDICINGHIA SPAZZOLA
	43	1464719000	2	SPRING TORSION 2.8X24	MOLLA A TORSIONE 2.8X24
	44	1464722000	1	PLATE TRANSMISSION SUPPORT	PIASTRA SUPPORTO TRASMISSIONE
	45	1464725000	1	REDUCTION GEAR COMPLETE	RIDUTTORE COMPLETO
K3	46		1	SCREW ADJUSTMENT	VITE DI REGISTRO
	47	1464747000	1	FAN D.160 X40	VENTOLA D.160 X40
	48	1464756000	1	DINAMOTOR MP80 12V 198 W	DINAMOTORE MP80 12V 198 W
	49	1464433000	1	BRUSH CARBON KIT 4PCS	KIT SPAZZOLE (NR 4) c. 2538007
	50	1465298000	1	PULLEY POGGILOCK SPZ D.85	PULEGGIA POGGILOCK SPZ D.85
	51	1465299000	1	BUSHING POGGILOCK 1210 D.11	BUSSOLA POGGILOCK 1210 D.11
K3	52		2	SCREW THREAD ROLLING M6X12	VITE AUTOFORMANTE TE FLA M6X12
	53	1465607000	1	CHAIN GROUND KIT	KIT CATENA MASSA A TERRA
K3	54		4	WASHER 8X24 UNI6593	UNI6593 8X24 ROND PIANA ZNB
	K1	1465599000	1	SHAFT TRACTION KIT	KIT ALBERO TRASMISSIONE
	K2	1465600000	1	SHAFT BROOM KIT	KIT ALBERO SPAZZOLA
	[K3]	1465467000	1	HARDWARE TRASMISSION KIT	KIT VITERIA TRASMISSIONE

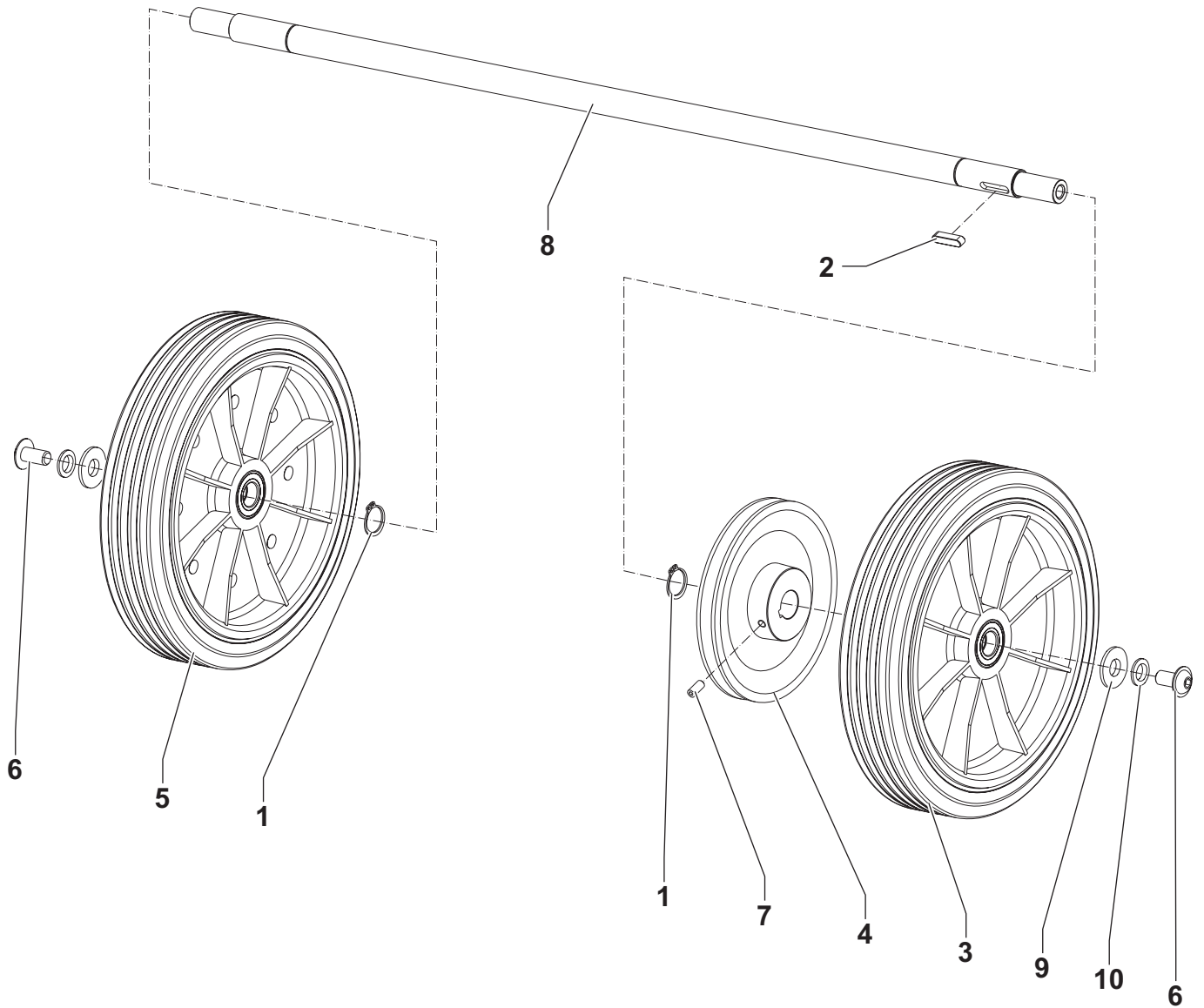
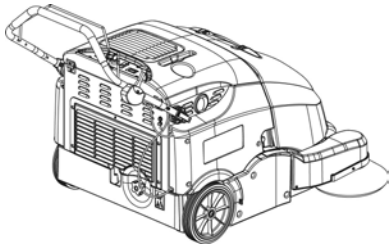
ENGINE SYSTEM



ENGINE SYSTEM

KIT	ITEM	REF. NO.	QTY	DESCRIPTION	DESCRIZIONE
K1	1		1	SCREW M6X20 UNI5739	UNI5739 M6X20 VITE TE TF 8.8 Z
K1	2		4	SCREW M8X16 UNI5739	UNI5739 M8X16 VITE TE TF 8.8 ZNB
K1	3		3	NUT SELF L. M5 UNI7474	UNI7474 M5 DADO AUTOB BASSO 6S
K1	4		4	NUT SELF L. M6 UNI7474	UNI7474 M6 DADO AUTOB BASSO 6S ZNB
K1	5		4	WASHER M8 UNI1751B	UNI1751B M8 ROND GROWER ZNB
K1	6		1	SCREW GRUB M6X10 UNI5929	UNI5929 M6X10 VITE STEI P.COPPA 10.9 BRN
K1	7		2	PLATE. ENGINE FIXING	PIATTINA FISSA MOTORE
K1	8		2	CLAMP 8/ 9-16	FASCETTA 8/ 9-16 MINUS
K1	9		2	WASHER 6X24X2 UNI6593	UNI6593 6X24X2 ROND GREMB ZNB
K1	10		1	CAP D.10-17	TAPPO d.10-17
K1	11		1	PLATE SIDE SKIRT	BANDELLA FLAP LATERALE
K1	12		1	PLATE SUPPORT FOR STARTING RECOIL	PIASTRA DI SUPPORTO PER ACCENSIONE
K1	13		1	HOLDER RUBBER M10x1.25	PORTAGOMMA M10x1.25
K1	14		1	HOSE OIL DRAIN D.10X18	TUBO SCARICO OLIO d.10x18
	15	146 0827 000	1	ENGINE PETROL 3HP	MOTORE BENZINA 3 HP HONDA GX 100 c. GX
K1	16		1	PULLEY D.85	PULEGGIA d. 85 SPZ
K1	17		1	SPACER	DISTANZIALE ALBERO MOTORE
K1	18	146 0830 000	1	KEY 5X5X36 UNI6604A	UNI6604A 5X5X36 LINGUETTA FORMA A
K1	19		2	WASHER M6 UNI6592	UNI6592 M6 ROND PIANA ZNB
	20	1465304000	1	PIPE EXHAUST	COLLETORE DI SCARICO
	21	1465225000	1	PLATE ENGINE SUPPORT	SUPPORTO MOTORE
K1	22		2	SCREW M5X12 UNI7687	UNI7687 M5X12 VITE TC+ 8.8 ZNB
	23	1465229000	1	PROTECTION EXHAUST	GOMMA DI PROTEZIONE SCARICO
	24	146 0823 000	1	FILTER.AIR	FILTRO ARIA c.17211-ZL8-003
	25	146 0822 000	1	PLUG.SPARK	CANDELA MOTORE c.98056-55777
K1	26		2	WASHER 5X15X1.5 UNI6593	UNI6593 5X15X1.5 ROND GREMB ZNB
K1	27		2	SCREW M6X16 UNI5739	UNI5739 M6X16 VITE TE TF 8.8 Z
K1	28		2	CLAMP D.6 WHITE	FASCETTA STRINGICAVO d.6 BIANCA c.30534
	29	146 0824 000	1	PRE-FILTER AIR	PREFILTRO ARIA IN SPUGNA c. 17218-ZOD-
	[K1]	1465468000	1	HARDWARE ENGINE KIT	KIT VITERIA MOTORE ENDOTERMICO

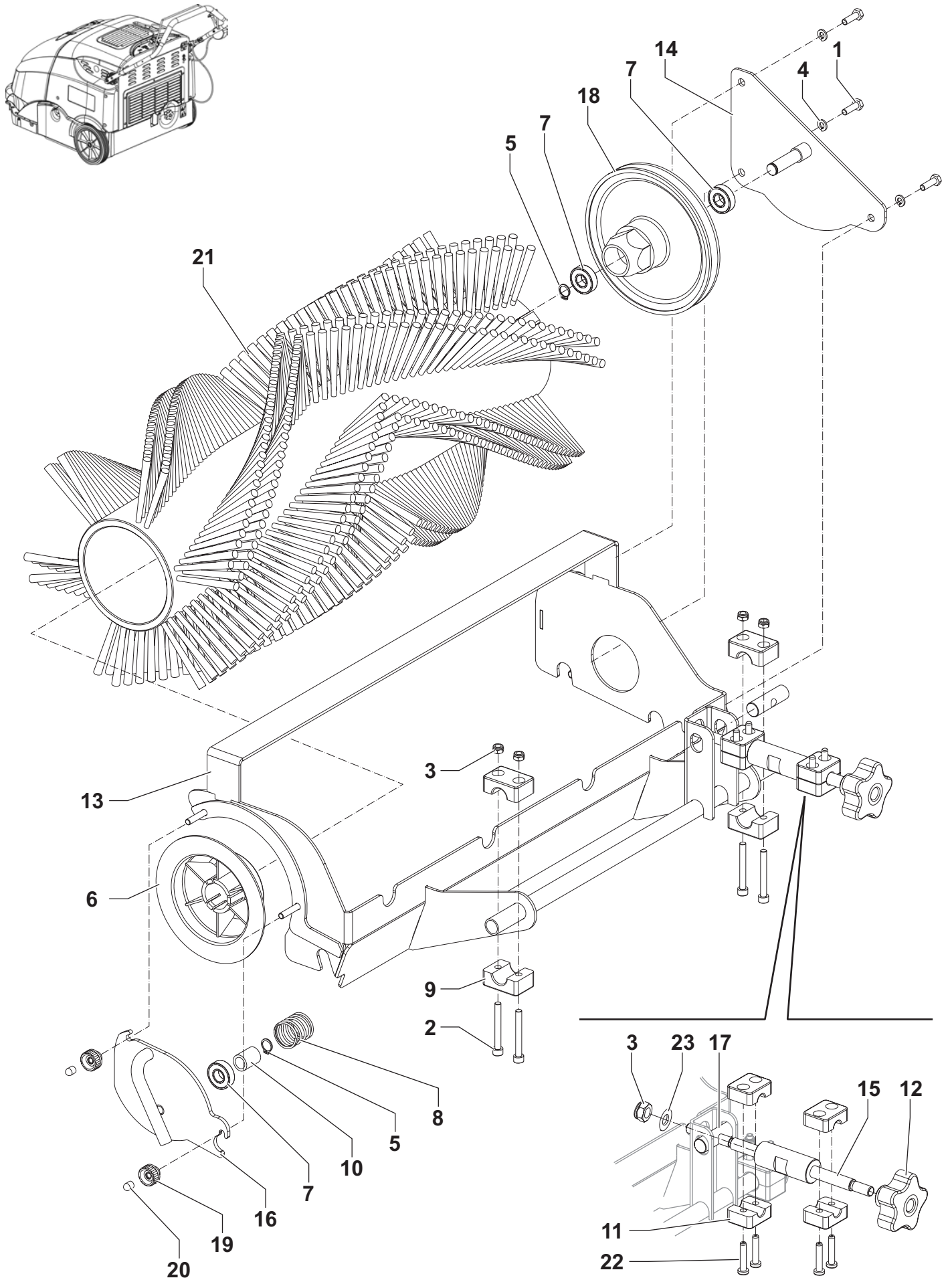
WHEELS SYSTEM



WHEELS SYSTEM

KIT	ITEM	REF. NO.	QTY	DESCRIPTION	DESCRIZIONE
K1	1		2	RING D 20 UNI7436	UNI7436 D 20 SEEGER PER ALBERO
K1	2		1	KEY 6X6X25 UNI6604A	UNI6604A 6X6X25 LINGUETTA FORMA A
	3	146 0513 000	1	WHEEL RIGHT	RUOTA COMPLETA DESTRA c. APNT250001DX
K1	4		1	PULLEY D.140	PULEGGIA d.140 SPZ
	5	146 0518 000	1	WHEEL LEFT	RUOTA COMPLETA SINISTRA c. APNT250001SX
K1	6		2	SCREW M10X20 ISO7380FLA	ISO7380FLA M10X20 VITE TCBEI F
K1	7		1	SCREW GRUB M6X14 UNI5929	UNI5929 M6X14 VITE STEI P.COPPA 10.9 BRN
	8	1464668000	1	SHAFT TRACTION WHEELS	ALBERO RUOTE TRAZIONE
K1	9		2	WASHER 10X30 UNI6592	UNI6592 10X30 ROND PIANA ZNB
K1	10		2	WASHER NORD LOCK M10	ROND ZIGRINATA NORD LOCK M10
	[K1]	1465469000	1	HARDWARE WHEELS KIT	KIT VITERIA RUOTE

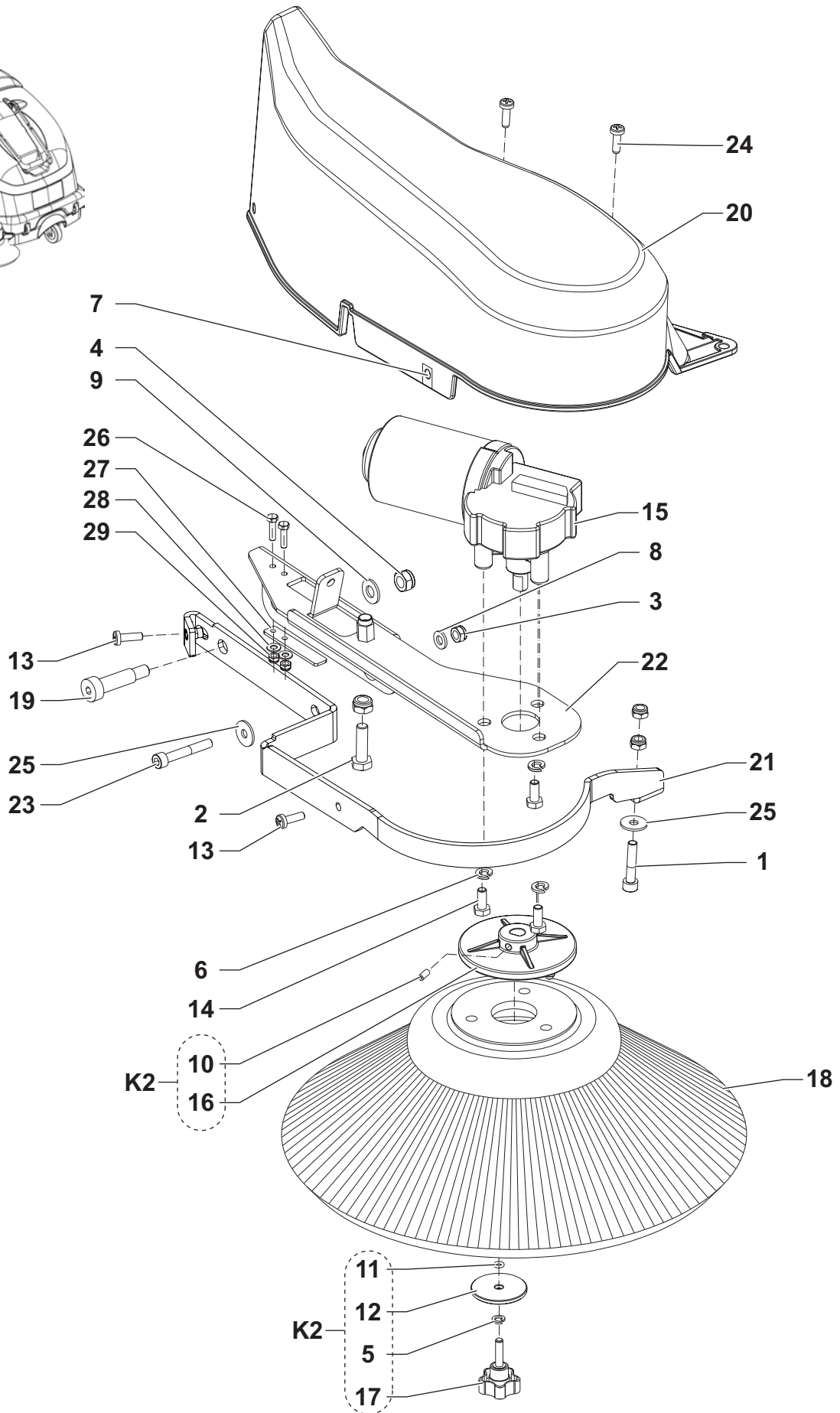
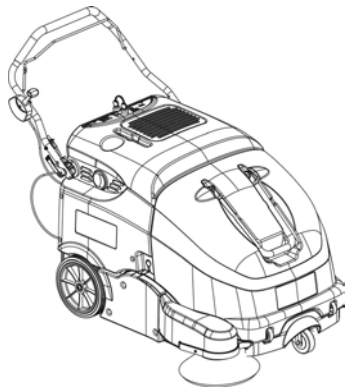
MAIN BROOM SYSTEM



MAIN BROOM SYSTEM

KIT	ITEM	REF. NO.	QTY	DESCRIPTION	DESCRIZIONE
K1	1		3	SCREW M6X16 UNI5739	UNI5739 M6X16 VITE TE TF 8.8 Z
K1	2		4	SCREW M6X50 UNI5931	UNI5931 M6X50 VITE TCEI 8.8 ZNB
K1	3		4	NUT SELF L. M6 UNI7474	UNI7474 M6 DADO AUTOB BASSO 6S ZNB
K1	4		3	WASHER M6 UNI1751B	UNI1751B M6 ROND GROWER ZNB
K1	5		2	RING D 12 UNI7435	UNI7435 D 12 SEEGER PER ALBERO BRN
	6	145 0269 000	1	HUB LEFT MAIN BROOM	MOZZO SX SPAZZOLA CENTRALE
	7	145 0270 000	3	BALL BEARING 6001 2RS	CUSCINETTO 6001 2RS
K1	8		1	SPRING	MOLLA SPAZZOLA CENTRALE
K1	9		2	COLLAR PIPE FIXING D.18	COLLARE FISSATUBO D.18 (tipo C3)
K1	10		1	SPACER 12X17X22.5	12X17X22.5 DISTANZIALE
K1	11		2	COLLAR.PIPE FIXING D.12	COLLARE FISSATUBO D.12 (tipo C2)
	12	1464476000	1	KNOB BLACK/YELLOW	VOLANTINO CON CALOTTINA GIALLA
	13	1465487000	1	SUPPORT MAIN BROOM	SUPPORTO SPAZZOLA C.LE
	14	1465489000	1	SUPPORT BROOM PULLEY	SUPPORTO PULEGGIA SPAZZOLA
	15	1464689000	1	SCREW BROOM ADJUSTMENT	VITE DI REGOLAZIONE SPAZZOLA
	16	1464695000	1	SUPPORT IDLE HUB	SUPPORTO MOZZO FOLLE
K1	17		1	PIN 15X50	PERNO 15X50
	18	1464746000	1	PULLEY MAIN BROOM	PULEGGIA SPAZZOLA CENTRALE
	19	1464885000	3	KNOB M6 D.20 PLASTIC	MANOPOLA M6 D.20 PLASTICA
K1	20		3	CAP YELLOW	CAPPUCCIO GIALLO
	21	1465215000	1	BROOM MAIN D.265X600 PPL 0.8-0.5	SPAZZOLA C.LE D.265X600 PPL 0.8-0.5
	21*	1465216000	1	BROOM MAIN D.265X600 MIX 5	SPAZZOLA C.LE D.265X600 MIX 5
	21*	146 0750 000	1	BROOM MAIN D.265X600 STEEL MIX	SPAZZOLA C.LE 265x600 MISTO ACCIAIO
K1	22		4	SCREW CYL HD 6X30 SELF L.PLAST	VITE AUTOF TC+ 6X30 S/PUN
K1	23		1	WASHER M6 UNI6592	UNI6592 M6 ROND PIANA ZNB
	[K1]	1465470000	1	HARDWARE MAIN BROOM KIT	KIT VITERIA SPAZZOLA CENTRALE

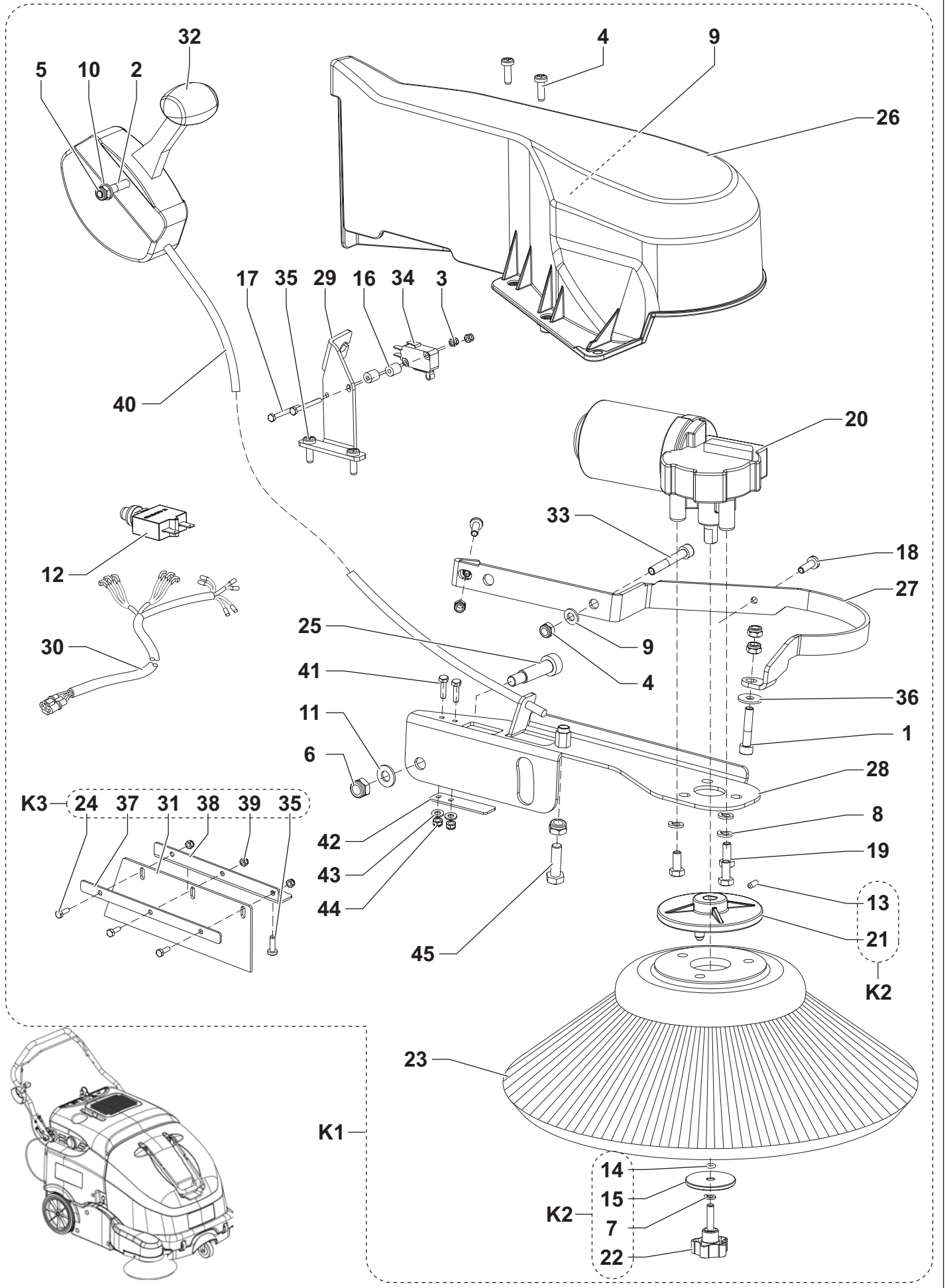
RIGHT BROOM



RIGHT BROOM

KIT	ITEM	REF. NO.	QTY	DESCRIPTION	DESCRIZIONE
K1	1		1	SCREW M6X30 UNI5931	UNI5931 M6X30 VITE TCEI 8.8 ZN
K1	2		1	SCREW M8X25 UNI5739 SS	UNI5739 M8X25 VITE TE TF INOX
K1	3		3	NUT SELF L. M6 UNI7474	UNI7474 M6 DADO AUTOB BASSO 6S ZNB
K1	4		2	NUT SELF L. M8 UNI7474	UNI7474 M8 DADO AUTOB BASSO 6S
K2	5		1	WASHER M5 UNI1751B	UNI1751B M5 ROND GROWER ZNB
K2	6		3	WASHER M6 UNI1751B	UNI1751B M6 ROND GROWER ZNB
K1	7		1	CLIP FOR SCREW	CLIPS PER VITE M 5
K1	8		1	WASHER M6 UNI6592	UNI6592 M6 ROND PIANA ZNB
K1	9		1	WASHER M8 UNI6592	UNI6592 M8 ROND PIANA ZNB
K2	10		1	SCREW GRUB M5X10 UNI5929	UNI5929 M5X10 VITE STEI P.COPPA 10.9 BRN
K2	11		1	SEAL O-RING	GUARNIZIONE O-RING 2015
K2	12		1	SPACER 5.5X38X3	DISTANZIALE 5.5X38X3
K1	13		2	SCREW M5X16 UNI7687	UNI7687 M5X16 VITE TC+ 8.8 ZNB
K2	14		3	SCREW M6X16 UNI5739	UNI5739 M6X16 VITE TE TF 8.8 Z
	15	146 3028 000	1	REDUCTION GEAR MOTOR 40W 12V	MOTORIDUTTORE 40W 12V RPM100 c. M6
K2	16		1	HUB SIDE BROOM	MOZZO SPAZZOLA LATERALE
K2	17		1	KNOB M5X20	VOLANTINO M5x20 VCT.25 p-M5x20
	18	146 3035 000	1	BROOM SIDE 109X315 PPL0.5	SPAZZOLA LAT. 145x315 PPL 0.5 NERO
	18*	146 3036 000	1	BROOM SIDE 109X315 NYLON CARPE	SPAZZOLA LAT. 145x315 NYLON LISCIA N
K1	19		1	SCREW SHOULDER 10X30 M8 ISO7939	VITE DI SPALLAMENTO 10X30 M8 ISO7939
	20	1464675000	1	COVER RIGHT SIDE BROOM	PROTEZIONE SPAZZOLA LATERALE DX
	21	1465497000	1	BUMPER RIGHT BROOM	PROTEZIONE SPAZZOLA DESTRA
	22	1465011000	1	SUPPORT RIGHT SIDE BROOM	SUPPORTO SPAZZOLA DX
K1	23		1	SCREW M6X40 UNI5931	UNI5931 M6X40 VITE TCEI INOX
K1	24		2	SCREW CYL HD 5X25 SELF L.	VITE AUTOF TC+ 5X25
K1	25		2	WASHER 6X18 UNI6592	UNI6592 6X18 ROND PIANA ZNB
K1	26		2	SCREW M4X14 UNI5739	VITE TE TF M4X14
K1	27		1	PADDLE FOR DRIVE MICROSWITCH	PALETTA AZIONAMENTO MICRO SPAZZOLE
K1	28		2	WASHER 4X12 UNI6593	UNI6593 4X12 ROND GREMB ZNB
K1	29		2	NUT SELF L. M4 UNI7474	UNI7474 M4 DADO AUTOB BASSO 6S ZNB
	[K1]	1465471000	1	HARDWARE SIDE BROOM KIT	KIT VITERIA SPAZZOLA LATERALE
	K2	1463865000	1	HUB SIDE BROOM FIXING KIT	KIT FISSAGGIO MOZZO SPAZZOLA LATERALE

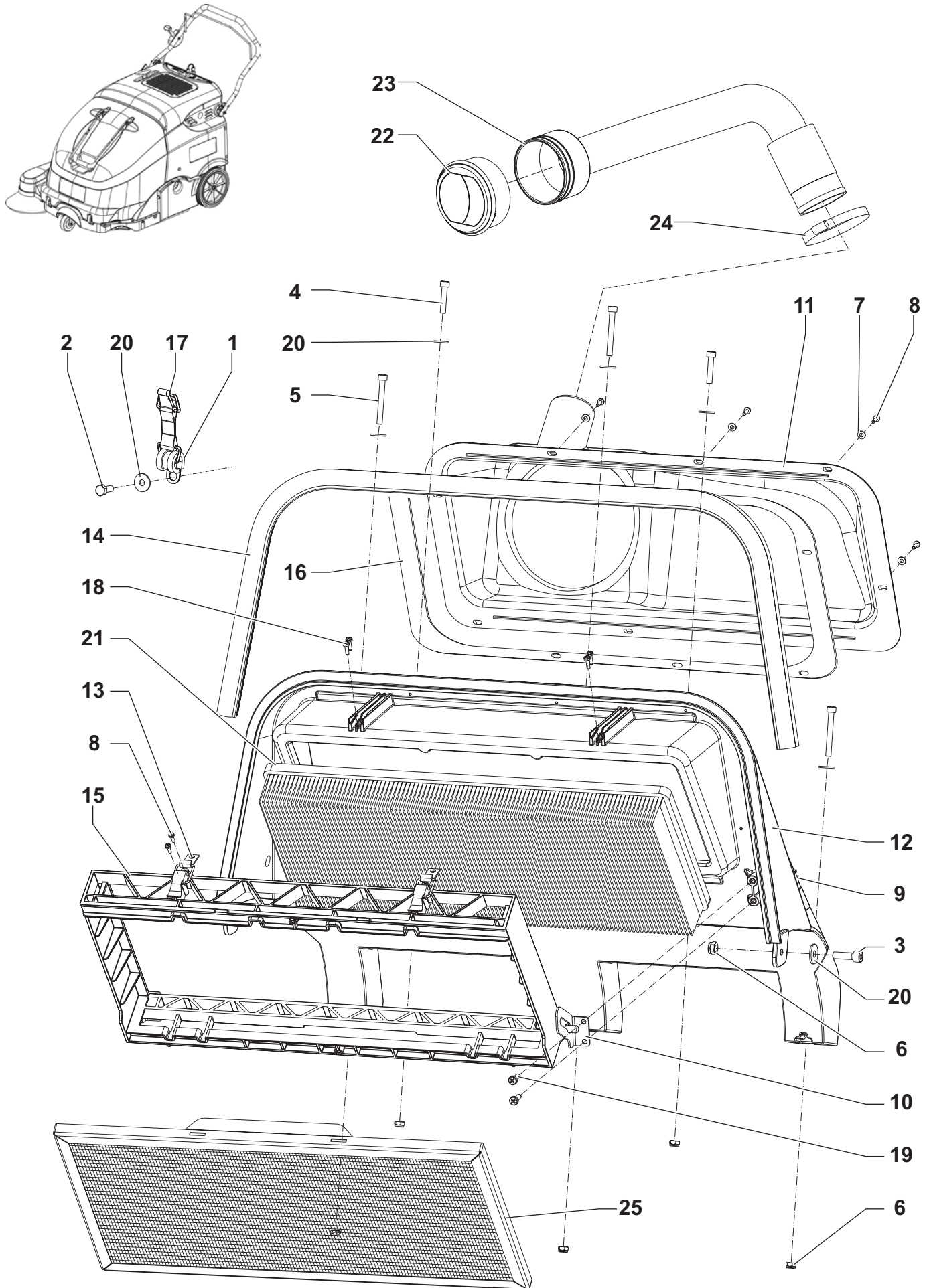
LEFT BROOM (OPTIONAL)



LEFT BROOM (OPTIONAL)

KIT	ITEM	REF. NO.	QTY	DESCRIPTION	DESCRIZIONE
K4	1		1	SCREW M6X30 UNI5931	UNI5931 M6X30 VITE TCEI 8.8 ZN
K4	2		1	SCREW M6X55 UNI5931 D.6X55	UNI5931 M6X55 VITE TCEI 8.8 ZNB
K4	3		2	NUT SELF L. M3 UNI7474	UNI7474 M3 DADO AUTOB BASSO 6S ZNB
K4	4		2	SCREW CYL HD 5X25 SELF L.	VITE AUTOF TC+ 5X25
K4	5		4	NUT SELF L. M6 UNI7474	UNI7474 M6 DADO AUTOB BASSO 6S ZNB
K4	6		2	NUT SELF L. M8 UNI7474	UNI7474 M8 DADO AUTOB BASSO 6S
K2	7		1	WASHER M5 UNI1751B	UNI1751B M5 ROND GROWER ZNB
K2	8		3	WASHER M6 UNI1751B	UNI1751B M6 ROND GROWER ZNB
K4	9		1	CLIP FOR SCREW	CLIPS PER VITE M 5
K4	10		2	WASHER M6 UNI6592	UNI6592 M6 ROND PIANA ZNB
K4	11		1	WASHER M8 UNI6592	UNI6592 M8 ROND PIANA ZNB
K1	12	1465605000	1	CIRCUIT BREAKER 5A KIT	KIT FUSIBILE RIPRISTINABILE 5A
K2	13		1	SCREW GRUB M5X10 UNI5929	UNI5929 M5X10 VITE STEI P.COPPA 10.9 BRN
K2	14		1	SEAL O-RING	GUARNIZIONE O-RING 2015
K2	15		1	SPACER 5.5X38X3	DISTANZIALE 5.5X38X3
K4	16		2	SPACER 3X8X9	3X8X9 DISTANZIALE
K4	17		2	SCREW M3X30 UNI5737	UNI5737 M3X30 VITE TE PF 8.8 ZNB
K4	18		2	SCREW M5X16 UNI7687	UNI7687 M5X16 VITE TC+ 8.8 ZNB
K2	19		3	SCREW M6X14 UNI5739	UNI5739 M6X14 VITE TE TF 8.8 ZNB
K1	20	146 3028 000	1	REDUCTION GEARMOTOR 40W 12V	MOTORIDUTTORE 40W 12V RPM100 c. M6
K2	21		1	HUB SIDE BROOM	MOZZO SPAZZOLA LATERALE
K2	22		1	KNOB M5X20	VOLANTINO M5x20 VCT.25 p-M5x20
K1	23	146 3035 000	1	BROOM SIDE 109X315 PPL0.5	SPAZZOLA LAT. 145x315 PPL 0.5 NERO
	23*	146 3036 000	1	BROOM SIDE 109X315 NYLON CARPE	SPAZZOLA LAT. 145x315 NYLON LISCIA N
K4-3	24		3	SCREW M6X16 UNI5739	UNI5739 M6X16 VITE TE TF 8.8 Z
K4	25		1	SCREW SHOULDER 10X30 M8 ISO7939	VITE DI SPALLAMENTO 10X30 M8 ISO7939
K1	26	1464676000	1	COVER LEFT SIDE BROOM	PROTEZIONE SPAZZOLA LATERALE SX
K1	27	1465498000	1	BUMPER LEFT BROOM	PROTEZIONE SPAZZOLA SINISTRA
K1	28	1465012000	1	SUPPORT LEFT SIDE BROOM	SUPPORTO SPAZZOLA SX
K1	29	1465014000	1	SUPPORT LEFT SIDE BROOM SWITCH	SUPPORTO MICRO SPAZZOLA SX
K1	30	1465142000	1	HARNESS LEFT BROOM	CABLAGGIO SPAZZOLA SINISTRA
K3	31		1	SKIRT RECYCLING	FLAP DI RECUPERO
K1	32	1465183000	1	LEVER LEFT SIDE BROOM CONTROL	LEVA COMANDO SPAZZOLA LATERALE SX
K4	33		1	SCREW M6X40 UNI5931	UNI5931 M6X40 VITE TCEI INOX
K1	34	909 6677 000	1	MICROSWITCH	MICROINTERRUPTORE TIPO NAIS
K4-3	35		2	SCREW CYL HD 5X16 SELF L.	VITE AUTOF TC+ 5X16
K4	36		2	WASHER 6X18 UNI6592	UNI6592 6X18 ROND PIANA ZNB
K4-3	37		1	SUPPORT FOR RECYCLING SKIRT	SUPPORTO FLAP DI RECUPERO
K4-3	38		1	PLATE FOR RECYCLING SKIRT	BANDELLA FLAP DI RECUPERO
K4-3	39		3	NUT SELF L. M4 UNI7474	UNI7474 M4 DADO AUTOB BASSO 6S ZNB
K1	40	1465532000	1	CABLE FOR SIDE BROOM LEVER	CAVO LEVA SPAZZOLA LAT.
K4	41		2	SCREW M4X14 UNI5739	VITE TE TF M4X14
K4	42		1	PADDLE FOR DRIVE MICROSWITCH	PALETTA AZIONAMENTO MICRO SPAZZOLE
K4	43		2	WASHER 4X12 UNI6593	UNI6593 4X12 ROND GREMB ZNB
K4	44		2	NUT SELF L. M4 UNI7474	UNI7474 M4 DADO AUTOB BASSO 6S ZNB
K4	45		1	SCREW M8X25 UNI5739 SS	UNI5739 M8X25 VITE TE TF INOX
	K1*	1465408000	1	BROOM LEFT SIDE KIT	KIT SPAZZOLA LATERALE SX
		1465407000	1	INSTRUCTIONS INSTALLATION	ISTRUZIONI MONTAGGIO
K1	K2	1463865000	1	HUB SIDE BROOM FIXING KIT	KIT FISSAGGIO MOZZO SPAZZOLA LATERALE
K1	K3	1465595000	1	SKIRTS RECYCLING KIT	KIT FLAP DI RECUPERO
K1	[K4]	1465471000	1	HARDWARE SIDE BROOM KIT	KIT VITERIA SPAZZOLA LATERALE

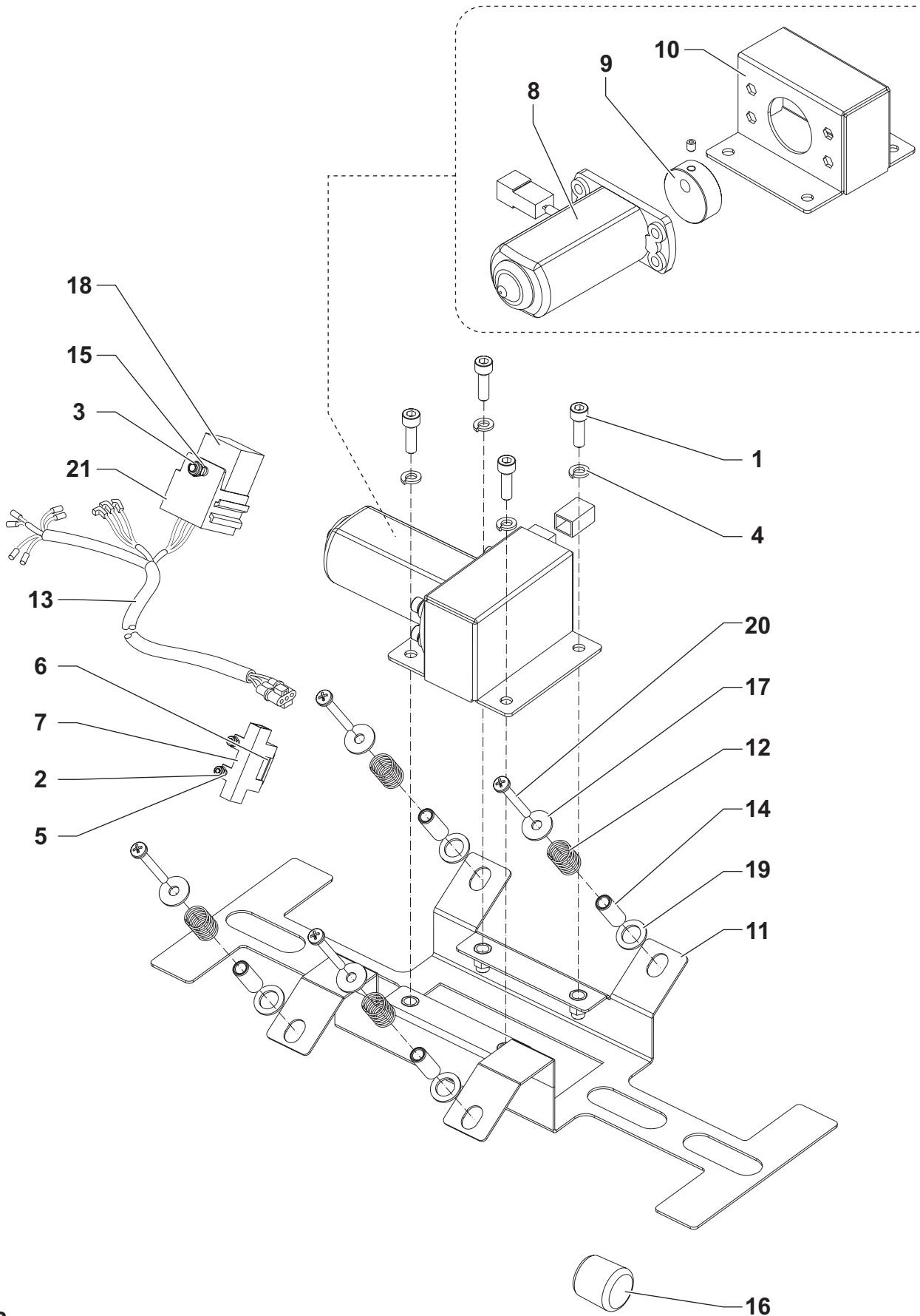
FILTER SYSTEM



FILTER SYSTEM

KIT	ITEM	REF. NO.	QTY	DESCRIPTION	DESCRIZIONE
	1	33003435	1	DOUBLE COLLAR D5	FASCETTA STRINGITUBO D. 6 CON GOMMA c.
K1	2		1	SCREW M6X16 UNI5739	UNI5739 M6X16 VITE TE TF 8.8 Z
K1	3		2	SCREW M6X20 UNI5931	UNI5931 M6X20 VITE TCEI 8.8 ZNB
K1	4		2	SCREW M6X30 UNI5931	UNI5931 M6X30 VITE TCEI 8.8 ZN
K1	5		3	SCREW M6X50 UNI5931	UNI5931 M6X50 VITE TCEI 8.8 ZNB
K1	6		8	NUT SELF L. M6 UNI7474	UNI7474 M6 DADO AUTOB BASSO 6S ZNB
K1	7		8	WASHER 4X12 UNI6593	UNI6593 4X12 ROND GREMB ZNB
K1	8		12	SCREW 3.5X12	3.5X12 VITE AUTOF TCB
K1	9		2	CLIP FOR SCREW	CLIPS PER VITE M 5
K1	10		2	BRACKET FILTER SUPPORT	STAFFA SUPPORTO FILTRO
K1	11		1	CONVEYOR AIR	CONVOGLIATORE ARIA
K1	12		1	SUPPORT FOR FILTER	SUPPORTO FILTRO
	13	1464884000	2	LOCK LEVER	CHIUSURA A LEVA
	14	1465610000	1	GASKET BULB REINFORCED KIT	KIT GUARNIZIONE ANIMA METAL. A BULBO
	15	1465146000	1	FRAME FOR PANEL FILTER	TELAIO PER FILTRO
	16	1465517000	1	GASKET FOR CONVEYOR	GUARNIZIONE PER CONVOGLIATORE
	17	1465525000	1	LATCH RUBBER	LACCIO DI CHIUSURA
K1	18		4	SCREW CYL HD 3.5X20 SELF L.	VITE AUTOF. TC+ 3.5x20
K1	19		4	SCREW CYL HD 5X16 SELF L.	VITE AUTOF TC+ 5X16
K1	20		9	WASHER 6X18 UNI6592	UNI6592 6X18 ROND PIANA ZNB
	21	1464691000	1	FILTER POLYESTER	FILTRO IN POLIESTERE
	21*	1464902000	1	FILTER PAPER	FILTRO IN CARTA
	22	33010103	1	OPENING	BOCCHETTA ECO 100 RIBASSATA
	23	1464887000	1	HOSE WET BY-PASS	TUBO WET BY-PASS
	24	145 0543 000	1	CLAMP 14/32-52	FASCETTA 14/ 32- 52 SERFLEX
	25*	1465018000	1	PREFILTER	PREFILTRO
	[K1]	1465472000	1	HARDWARE FILTER SYSTEM KIT	KIT VITERIA SISTEMA FILTRO

FILTER SHAKER SYSTEM

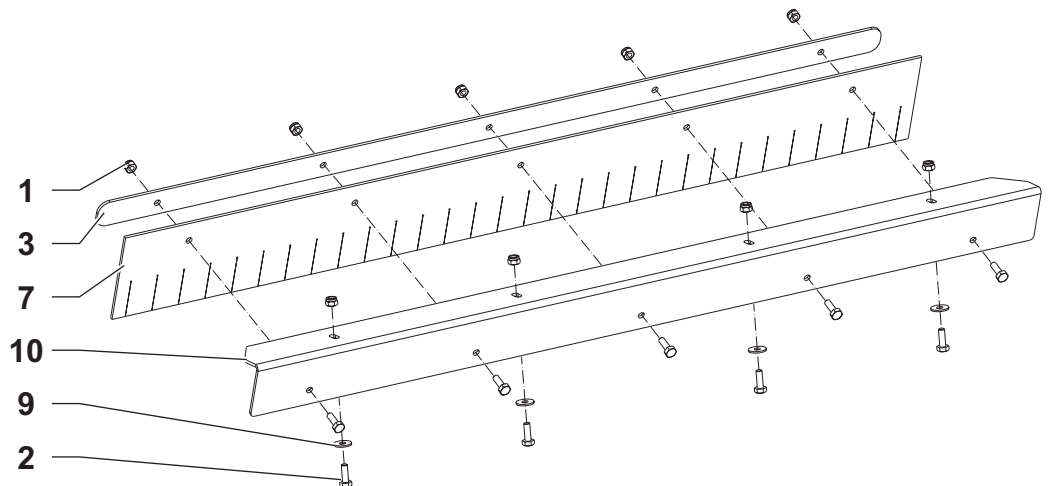
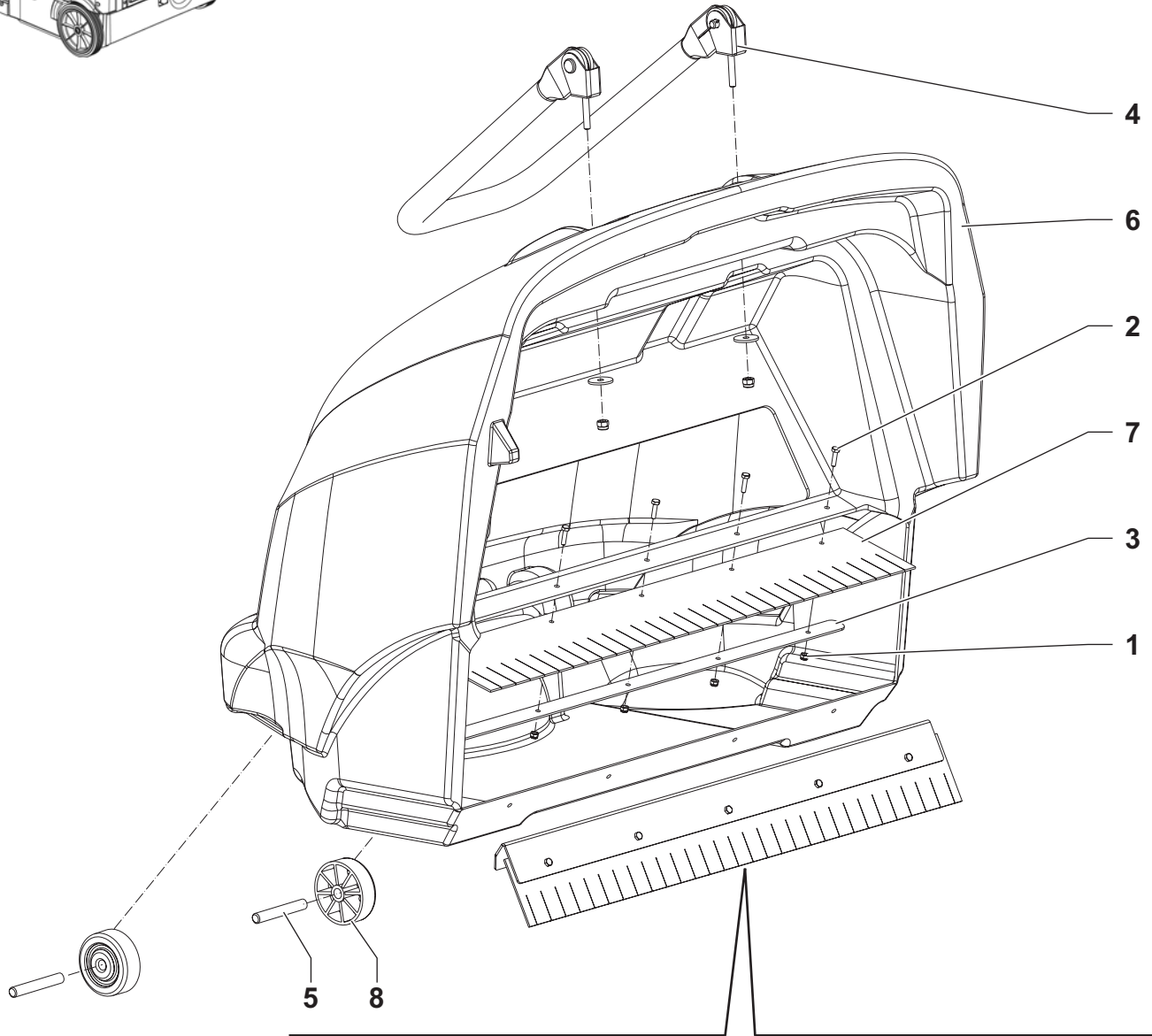
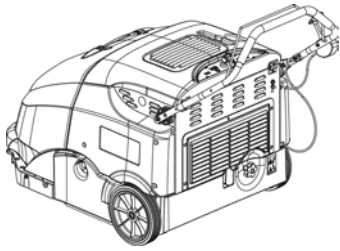


K2

FILTER SHAKER SYSTEM

KIT	ITEM	REF. NO.	QTY	DESCRIPTION	DESCRIZIONE
K1	1		4	SCREW M6X20 UNI5931	UNI5931 M6X20 VITE TCEI 8.8 ZNB
K1	2		2	NUT SELF L. M3 UNI7474	UNI7474 M3 DADO AUTOB BASSO 6S ZNB
K1	3		1	NUT SELF L. M5 UNI7474	UNI7474 M5 DADO AUTOB BASSO 6S
K1	4		4	WASHER M6 UNI1751B	UNI1751B M6 ROND GROWER ZNB
K1	5		2	SCREW M3X10 UNI7687	UNI7687 M3X10 VITE TC+ 8.8 ZNB
K1	6	145 9852 000	1	FUSE BLADE 5A UL	FUSIBILE 5A UL LAMA
K1	7	146 0660 000	1	HOLDER FUSE THERMOPL. UL 94-V0	PORTAFUSIBILE LAMELLARE VERTICALE 1 P.
K2	8	146 0527 000	1	MOTOR FILTER SHAKER 10W 12V	MOTORE SCUOTIFILTRO W 8-10 12V ITG 50
K2	9	145 8376 000	1	CAM	ECCENTRICO SCUOTIFILTRO
K2	10	146 0577 000	1	BRACKET. FILTER SHAKER	STAFFA PER SCUOTIFILTRO
K1	11		1	PLATE FILTER SHAKER	PIASTRA SCUOTIFILTRO
K1	12		4	SPRING 1X11.5	MOLLA 1X11.5
K2	13	1465143000	1	HARNES FILTER SHAKER	CABLAGGIO SCUOTIFILTRO EL.
K1	14		4	SPACER 6.5X9.5X24	DISTANZIALE 6.5X9.5X24
K1	15		1	SCREW M5X12 UNI7687	UNI7687 M5X12 VITE TC+ 8.8 ZNB
K1	16		1	CAP D.25 BLACK	TAPPO d.25
K1	17		4	WASHER 6X18 UNI6592	UNI6592 6X18 ROND PIANA ZNB
K2	18	9098441000	1	RELAY 12V	RELAY 12V
K1	19		4	WASHER M10 UNI6592	UNI6592 M10 ROND PIANA ZNB
K1	20		4	SCREW 4.5X40	VITE AUTOF TCB+ 4.5X40 SR POZI ZNB
K2	21	33009104	1	RELAY SUPPORT	ZOCCOLO PORTA RELE' c.I18006
K2	[K1]	1465473000	1	HARDWARE EL. FILTER SHAKER KIT	KIT VITERIA SCUOTIFILTRO EL.
	K2	1465474000	1	FILTER SHAKER ELECTRIC KIT	KIT SCUOTIFILTRO ELETTRICO

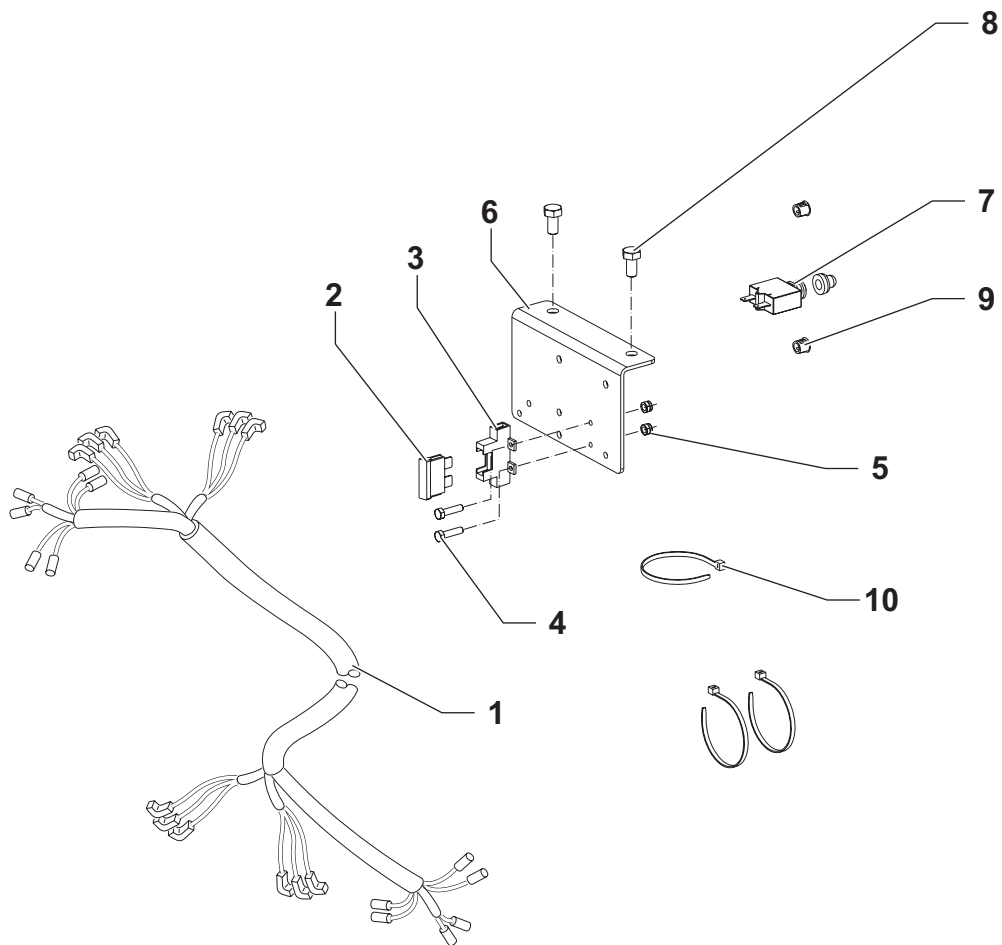
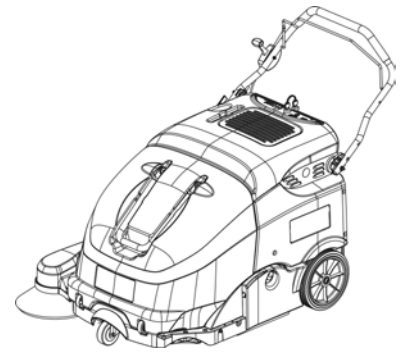
HOPPER SYSTEM



HOPPER SYSTEM

KIT	ITEM	REF. NO.	QTY	DESCRIPTION	DESCRIZIONE
K1	1		14	NUT SELF L. M4 UNI7473	UNI7473 M4 DADO AUTOB 6S ZNB
K1	2		14	SCREW M4X14 UNI5739	VITE TE TF M4X14
K1	3		2	PLATE CONTAINER SKIRT	BANDELLA FLAP CONTENITORE RIF.
	4	1465477000	1	HANDLE WASTE CONTAINER KIT	KIT MANIGLIONE CONTENITORE RIF.
	5	1464997000	2	PIN D.9.5X70	PERNO D.9.5X70
	6	1465016000	1	CONTAINER WASTE	CONTENITORE RIFIUTI
	7	1465476000	1	SKIRTS WASTE CONTAINER KIT	KIT FLAPS CONTENITORE RIFIUTI
	8	L08602460	2	ROLLER BUMPER	RUOTA PARACOLPI c.7PC063S001
K1	9		9	WASHER 4X12 UNI6593	UNI6593 4X12 ROND GREMB ZNB
K1	10		1	PLATE CONTAINER SKIRT	ANGOLARE FLAP CONTENITORE RIF.
	[K1]	1465475000	1	HARDWARE WASTE CONTAINER KIT	KIT VITERIA CONTENITORE RIFIUTI

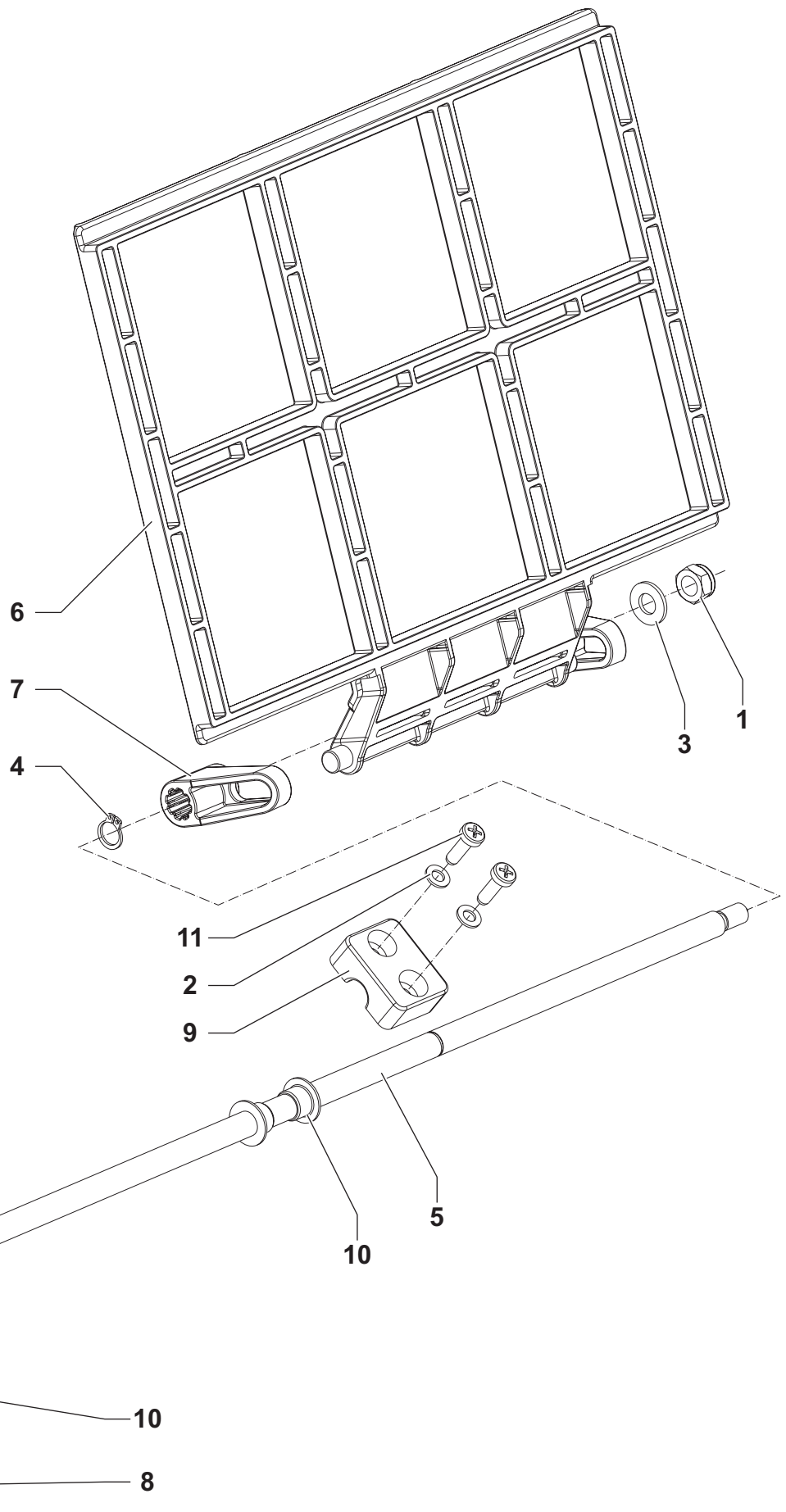
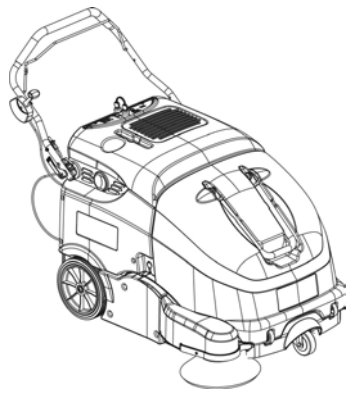
ELECTRICAL SYSTEM



ELECTRICAL SYSTEM

KIT	ITEM	REF. NO.	QTY	DESCRIPTION	DESCRIZIONE
	1	1465303000	1	HARNESS MACHINE P W/EL. SHAKER	CABLAGGIO MACCHINA P VERS. SCUOTIF. EL.
	2	146 1776 000	1	FUSE 20A	FUSIBILE 20A LAMA TIPO UNIVAL
	3	146 0660 000	1	HOLDER FUSE THERMOPL. UL 94-V0	PORTAFUSIBILE LAMELLARE VERTICALE 1 P.
K1	4		2	SCREW M3X10 UNI7687	UNI7687 M3X10 VITE TC+ 8.8 ZNB
K1	5		2	NUT SELF L. M3 UNI7474	UNI7474 M3 DADO AUTOB BASSO 6S ZNB
	6	1464698000	1	SUPPORT RELAIS AND FUSES	SUPPORTO RELE' E FUSIBILI
	7	1465605000	1	CIRCUIT BREAKER 5A KIT	KIT FUSIBILE RIPRISTINABILE 5A
K1	8		2	SCREW M8X16 UNI5739	UNI5739 M8X16 VITE TE TF 8.8 ZNB
K1	9		2	CAP. BLACK D.11.9	TAPPO A SCATTO NERO d.11.9 c.DP375
K1	10		3	CLAMP 3.6x140	FASCETTA 3.6x140 NERA
	[K1]	1465478000	1	HARDWARE ELECTRICAL SYSTEM KIT	KIT VITERIA SISTEMA ELETTRICO

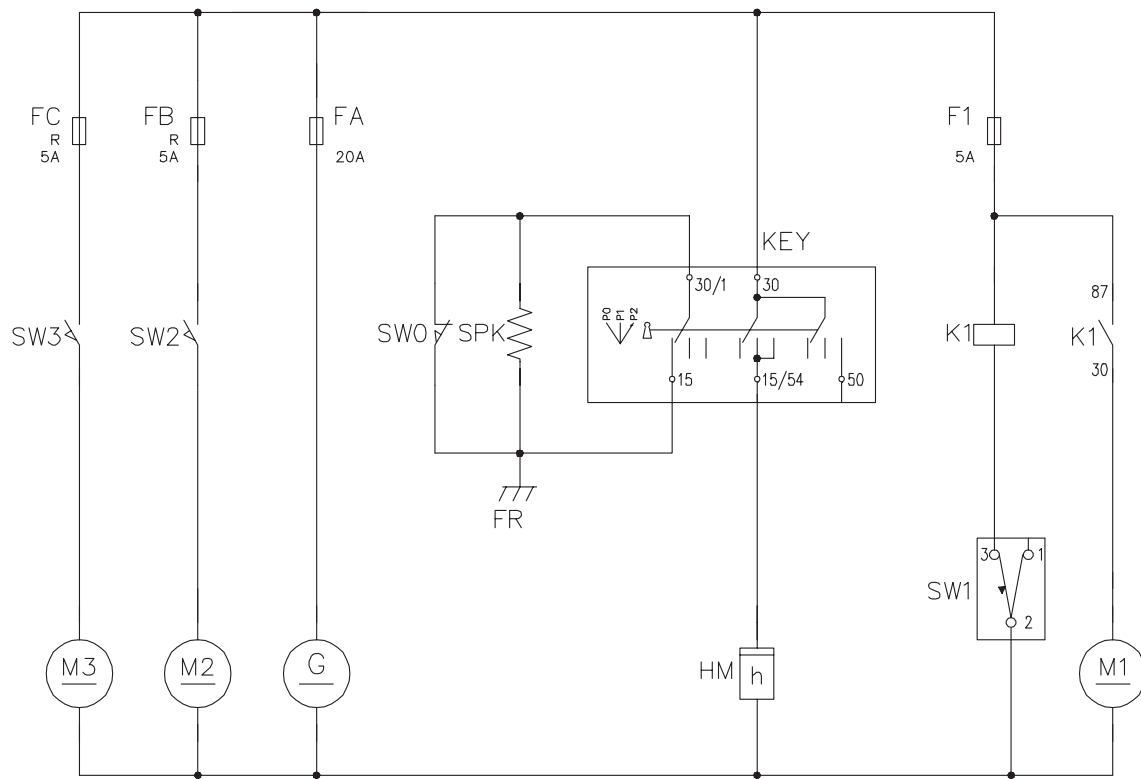
ACCESSORIES



ACCESSORIES

KIT	ITEM	REF. NO.	QTY	DESCRIPTION	DESCRIZIONE
K1	1		1	NUT SELF L. M8 UNI7474	UNI7474 M8 DADO AUTOB BASSO 6S
K1	2		2	WASHER M5 UNI6592	UNI6592 M5 ROND PIANA ZNB
K1	3		1	WASHER M8 UNI6592	UNI6592 M8 ROND PIANA ZNB
K1	4		1	RING D 10 UNI7435	UNI7435 D 10 SEEGER PER ALBERO BRN
K2	5	1465028000	1	ROD FILTER SHAKER	ASTA SCUOTIFILTRO
K2	6	1465029000	1	RAKE FILTER SHAKER	RASTRELLO SCUOTIFILTRO
K2	7	1465030000	2	DRAGGER FILTER SHAKER	TRASCINATORE SCUOTIFILTRO
K2	8	1465103000	1	HANDLE M8 PLASTIC	MANIGLIA M8 IN PLASTICA
K1	9		1	COLLAR PIPE FIXING D.12 SINGLE	COLLARE FISSATUBO D12 SINGOLO
K1	10		3	BUSH FLANGED	BOCCOLA CON FLANGIA TIPO GFM-1012-09
K1	11		2	SCREW CYL HD 5X16 SELF L.	VITE AUTOFC TC+ 5X16
K2	[K1]	1465479000	1	HARDWARE MANUAL FILTER SHAKER KIT	KIT VITERIA SCUOTIFILTRO MANUALE
	[K2]*	1465480000	1	FILTER SHAKER MANUAL KIT	KIT SCUOTIFILTRO MANUALE
		1465626000	1	INSTRUCTIONS INSTALLATION	ISTRUZIONI MONTAGGIO

WIRING DIAGRAM



WIRING DIAGRAM

KEY	REF. NO.	DESCRIPTION	DESCRIZIONE
F1	145 9853 000	FILTER SHAKER FUSE (5 A)	FUSIBILE SCUOTIFILTRO (5 A)
FA	146 1776 000	CHARGE FUSE (20 A)	FUSIBILE CARICA (20 A)
FB	1465605000	RIGHT SIDE BROOM CIRCUIT BREAKER (5 A)	FUSIBILE RIPR. SPAZZOLA LAT. DESTRA (5 A)
FC	1465605000	LEFT SIDE BROOM CIRCUIT BREAKER (5 A) (OPT.)	FUSIBILE RIPR. SPAZZOLA LAT. SINISTRA (5 A) (OPZ.)
FR	-	FRAME	TELAIO
G	1464756000	DYNAMOTOR	DINAMOTORE
HM	1465514000	HOURMETER	CONTAORE
K1	9098441000	FILTER SHAKER RELAY	RELÈ SCUOTIFILTRO
KEY	33020442	KEY SWITCH	CHIAVE DI AVVIAMENTO
M1	146 0527 000	FILTER SHAKER MOTOR	MOTORE SCUOTIFILTRO
M2	146 3028 000	RIGHT BROOM MOTOR	MOTORE SPAZZOLA LAT. DESTRA
M3	146 3028 000	LEFT BROOM MOTOR (OPT.)	MOTORE SPAZZOLA LAT. SINISTRA (OPZ.)
SPK	146 0822 000	ENGINE SPARK	CANDELA MOTORE
SW0	145 9679 000	SAFETY HOPPER SWITCH	MICROINTERRUTTORE CONTENITORE RIFIUTI
SW1	33018481	FILTER SHAKER SWITCH	INTERRUTTORE SCUOTIFILTRO
SW2	909 6677 000	RIGHT SIDE BROOM MICROSWITCH	MICROINTERR. SPAZZOLA LAT. DESTRA
SW3	909 6677 000	LEFT SIDE BROOM MICROSWITCH (OPT.)	MICROINTERR. SPAZZOLA LAT. SINISTRA (OPZ.)

KEY	COLOUR	COLORE
BK	BLACK	NERO
BU	LIGHT BLUE	AZZURRO
BN	BROWN	MARRONE
GN	GREEN	VERDE
GY	GREY	GRIGIO
OG	ORANGE	ARANCIONE

KEY	COLOUR	COLORE
PK	PINK	ROSA
RD	RED	ROSSO
VT	VIOLET	VIOLA
WH	WHITE	BIANCO
YE	YELLOW	GIALLO

RECOMMENDED PARTS

	REF. NO.	QTY	DESCRIPTION
			NORMAL WEAR
	1465215000	1	BROOM MAIN D.265X600 PPL 0.8-0.5
	1465463000	1	SKIRTS KIT
	146 3035 000	1	BROOM SIDE 109X315 PPL0.5
			ORDINARY MAINTENANCE
	1465610000	1	GASKET BULB REINFORCED
	1464691000	1	FILTER POLYESTER
	1464756000	1	DINAMOTOR MP80 12V 198 W
	1464433000	1	BRUSH CARBON KIT 4PCS
	1464687000	1	BELT XPZ 912
	146 0767 000	1	BELT XPZ 1162
	1464045000	1	BELT KIT
	145 0270 000	3	BALL BEARING 6001 2RS
	909 6602 000	1	WHEEL CASTOR
	146 3028 000	1	REDUCTION GEARMOTOR 40W 12V
	1464908000	1	CABLE TRACTION
	146 0823 000	1	FILTER.AIR
	146 0822 000	1	PLUG.SPARK
	146 0824 000	1	PRE-FILTER AIR
			EXTRAORDINARY MAINTENANCE
	1465146000	1	FRAME FOR PANEL FILTER
	1464884000	2	LOCK LEVER
	1464725000	1	REDUCTION GEAR COMPLETE
	146 0523 000	1	GEAR Z50
	146 0524 000	1	GEAR Z14
	145 1123 000	3	BALL BEARING YAT204
	1464719000	2	SPRING TORSION 2.8X24
	1464476000	1	KNOB BLACK/YELLOW
	909 6677 000	1	MICROSWITCH
	145 9679 000	1	MICROSWITCH 10A 250V
	1465017000	1	LEVER RIGHT SIDE BROOM CONTROL
	1465532000	1	CABLE FOR SIDE BROOM LEVER
	146 1318 000	4	VIBRATION-DAMPING M8 45SH

OPTIONAL

	REF. NO.	QTY	DESCRIPTION
	1465541000	1	SKIRTS NON MARKING KIT
	1465216000	1	BROOM MAIN D.265X600 MIX 5
	146 0750 000	1	BROOM MAIN D.265X600 STEEL MIX
	146 3036 000	1	BROOM SIDE 109X315 NYLON CARPE
	1465408000	1	BROOM LEFT SIDE KIT
	1464902000	1	FILTER PAPER
	1465018000	1	PRE-FILTER
	1465480000	1	FILTERSHAKER MANUAL KIT

