



## So finden Sie Ihr gewünschtes Ersatzteil / Zubehör:

In dieser Ersatzteilliste finden Sie die Artikelnummer Ihres gesuchten Produkts. **Bitte geben Sie diese Artikelnummer in das „Suche“-Feld unseres Shops ein.**

Als Ergebnis wird Ihnen der Artikel mit Preis angezeigt und Sie können diesen bei Gefallen in den Warenkorb legen.

Sollten Sie das gesuchte Zubehör oder Ersatzteil nicht finden, helfen wir Ihnen gerne weiter.

Rufen Sie uns einfach an. Halten Sie bitte den Maschinentyp und das exakte Baujahr des Gerätes bereit:

**Tel.: +49 (0) 7303 901 980**

Robe Reinigungsmaschinen GmbH



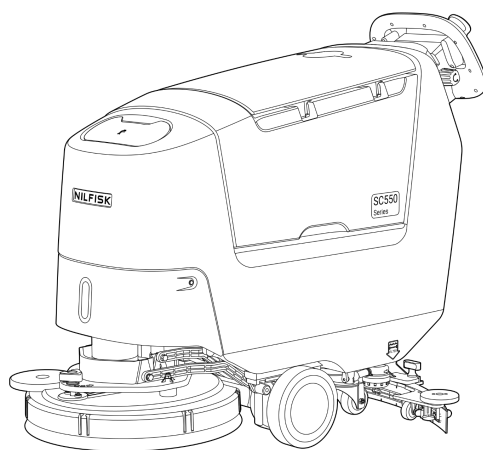
**Hotline: 0 73 03 / 901 980**

Zur Aumühle 36 | 89257 Illertissen  
Tel.: 0 73 03 / 901 980 | Fax 0 73 03 / 901 981 8  
info@wap-nilfisk-alto-shop.de

**[www.wap-nilfisk-alto-shop.de](http://www.wap-nilfisk-alto-shop.de)**

**Weiterblättern zur Ersatzteilliste →**

# PARTS LIST



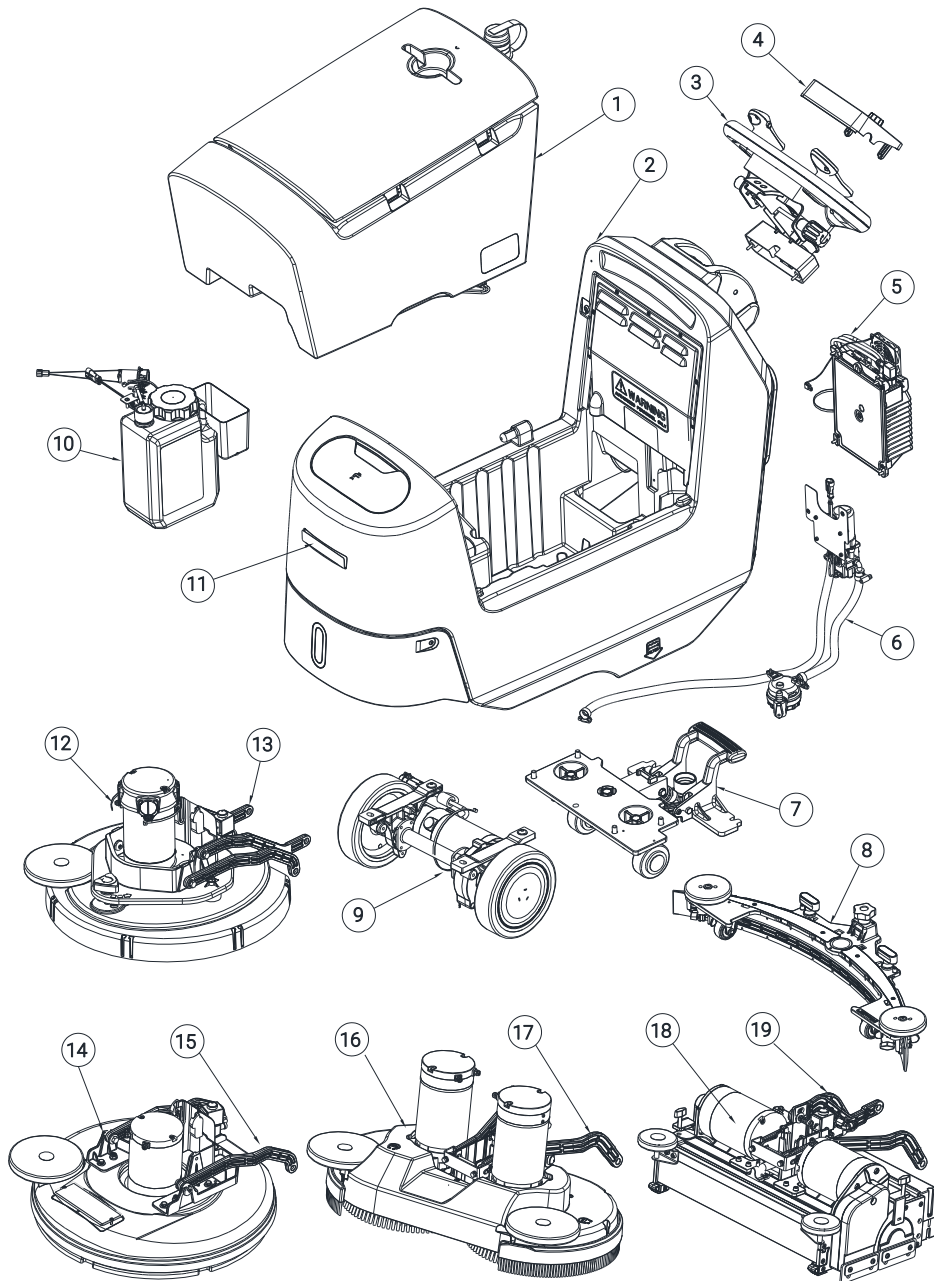
2024.11.11

# NILFISK

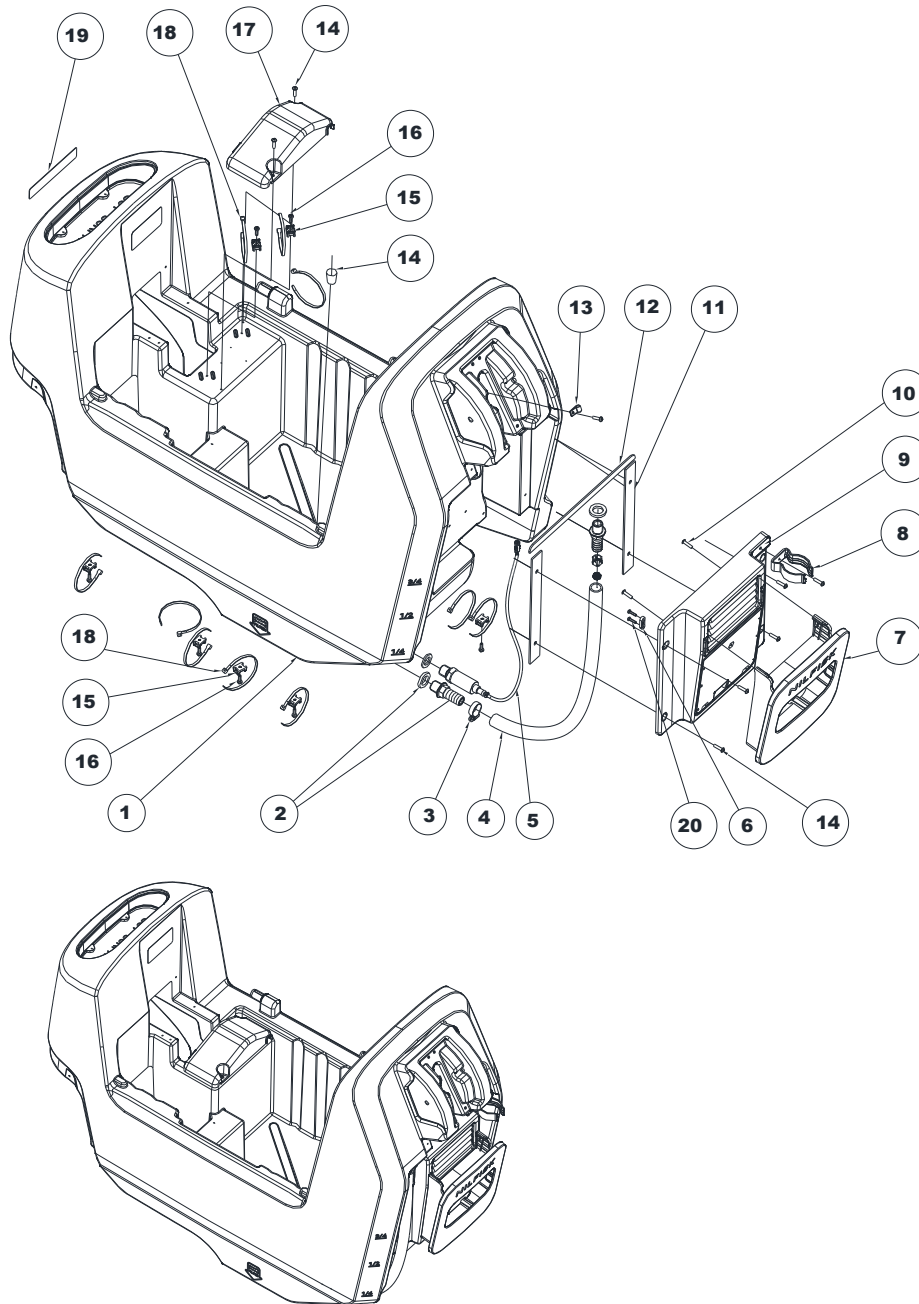
# TABLE OF CONTENTS

---

PL_55944901_SC550_GENERAL VIEW .....	1
PL_55944901_SC550_SOLUTION TANK SYSTEM .....	3
PL_55944901_SC550_FILLING SYSTEM .....	5
PL_55944901_SC550_FRONT PANEL SYSTEM .....	7
PL_55944901_SC550_RECOVERY TANK SYSTEM .....	9
PL_55944901_SC550_MOTOR DRIVE SYSTEM .....	11
PL_55944901_SC550_WATER FLOW SYSTEM .....	13
PL_55944901_SC550_STEERING AND UI MODUL SYSTEM .....	15
PL_55944901_SC550_REAR WHEELS SYSTEM .....	17
PL_55944901_SC550_29 INCH SQUEEGEE SYSTEM .....	19
PL_55944901_SC550_32 INCH SQUEEGEE SYSTE .....	21
PL_55944901_SC550_ELECTRICAL COMPONENTS SYSTEM.pdf .....	23
PL_55944901_SC550_LI-ION CHARGER SYSTEM .....	25
PL_55944901_SC550_LI-ION BATTERY SYSTEM (24V 64Ah) .....	27
PL_55944901_SC550_LI-ION BATTERY SYSTEM (24V 50Ah) .....	29
PL_55944901_SC550_ECOFLEX SYSTEM .....	31
55944901 PL_SC550_SPLASH GUARD.MOP.TRASH.CADDY.SCREEN PROTECTOR .....	33
PL_55944901_SC550_CONNECTIVITY DEVICE AND FOB MODULE .....	35
PL_55944901_SC550_BRUSHES AND PAD (CYL DECK) .....	37
PL_55944901_SC550_CYL DECK LIFTING ASSEMBLY .....	39
PL_55944901_SC550_CYL DECK SYSTEM -1.pdf .....	41
PL_55944901_SC550_CYL DECK SYSTEM-2 .....	44
PL_55944901_SC550_WIRING DIAGRAM (LI-ION SYSTEM) .....	46
PL_55944901_SC550_RECOMMENDED SPARE PARTS .....	48



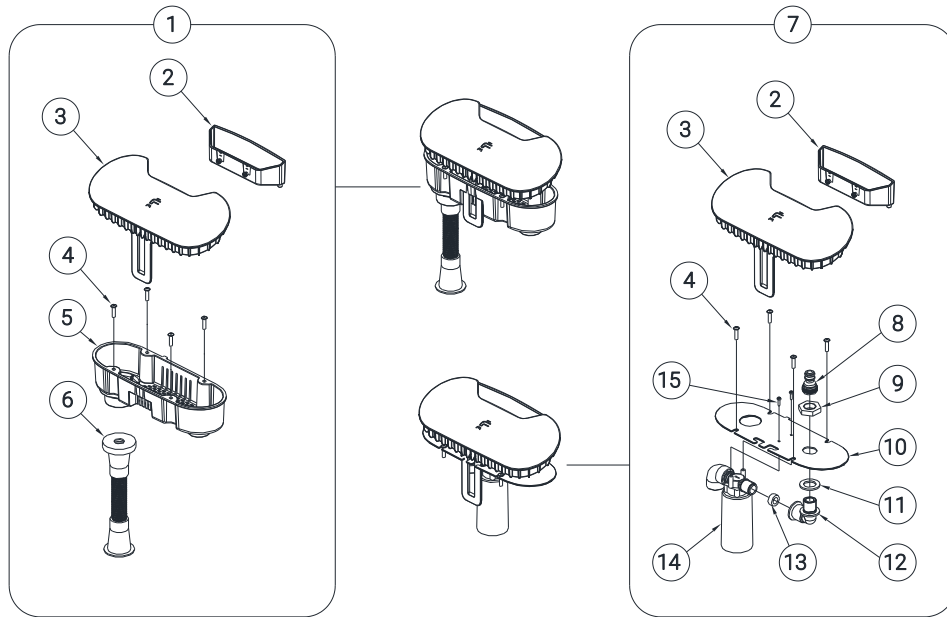
Pos.	Artikel-Nr.	Menge	Variante	Notes
1		1	TANK RECOVERY ASSEMBLY	
2		1	TANK SOLUTION ASSEMBLY	
3		1	STEERING ASSEMBLY	
4		1	UI MODUL ASSEMBLY	
5		1	CHARGER BATTERY ASSEMBLY	
6		1	SYSTEM SOLUTION ASSEMBLY	
7		1	WHEELS REAR-SQUEEGEE ASSEMBLY	
8		1	SQUEEGEE 730MM/29 ASSEMBLY	
8		1	SQUEEGEE 810MM/32 ASSEMBLY	
9		1	MOTOR DRIVE ASSEMBLY	
10		1	ECOFLEX ASSEMBLY	
11	55944839	1	DECAL ASSEMBLYDECALS NILFISK KIT	
12		1	SINGLE DISC DECK ASSEMBLY	
13		1	SINGLE DISC DECK LIFTING ASSEMBLY	
14		1	REV DECK ASSEMBLY	
15		1	REV DECK LIFTING ASSEMBLY	
16		1	DUAL DISC DECK ASSEMBLY	
17		1	DUAL DISC DECK LIFTING ASSEMBLY	
18		1	CYL DECK ASSEMBLY	
19		1	CYL DECK LIFTING ASSEMBLY	



Pos.	Artikel-Nr.	Menge	Variante	Notes
1	55944907	1	SOLUTION TANK 50 L SIP	
2	9100000574	2	FITTING STRAIGHT G1/2 D.20 KITFITTING STRAIGHT G1/2 D.20 KIT	
3		1	HOSE CLAMP-SPRING INSERT-16/27	[1]
4	55944908	1	HOSE FRESH WATER LEV. W/CAP KIT	
5	55944909	1	SENSOR WATER LEVEL SIP	
6		1	ANTI STRAIN CLIP	[1]
7	55944910	1	BOX F CHARGER CABLE SIP	
8	909 6380 000	1	Schlauchklammer BR 601BR 751	
9	55944911	1	COVER CHARGER SIP	
10		10	SCREW M5X20 WN1451 BLACK ZN	[1]
11		2	GASKET SIDE CHARGER COVER	[2]
12		1	GASKET UPPER CHARGER COVER	[2]
13		1	CLAMP CABLE BLACK	[1]
14		1	CAP BLACK	[1]
15		9	HOLDER.FLAT TIE	[1]
16		9	SCREW 5X16 PAN PHIL W/O BIT F PLASTIC	[1]
17	9100000809	1	COVER PLAST. F DETERGENT SOLU. PUMP SIPCOVER DETERGENT MIX PUMP SIP	
18		14	TIE CABLE 4.8X250 BLACK	[1]
19	55944839	1	DECAL ASSEMBLYDECALS NILFISK KIT	
20		2	SCREW 4X16 SELF PAN HD TORX F PLASTIC	[1]
[K1]	55944913	1	GASKETS COVER KIT	
[K2]	55944914	1	HARDWARE SOLUTION TANK KIT	

Part Notes:

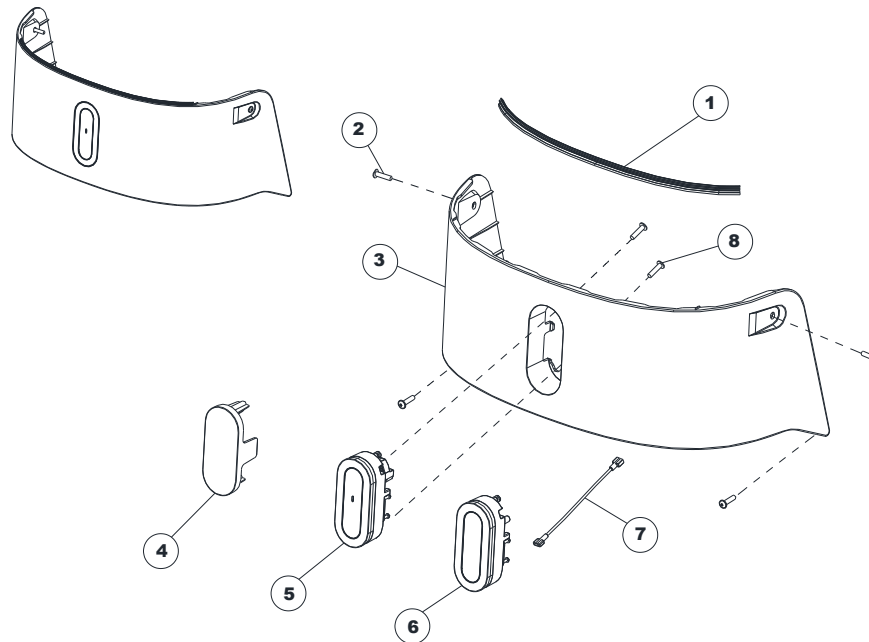
- [1] - K2
- [2] - K1



Pos.	Artikel-Nr.	Menge	Variante	Notes
1*	55944915	1	STANDARD FILLING KITSTANDARD FILLING KIT	
2		1	COVER INLET INDICATOR	[1]
3		1	COVER INLET	[1]
4		1	SCREW 5X20	[2]
5	55944916	1	FILTER WATER INLET SIP	
6	55944917	1	HOSE FILLING SIP	
7*	55944918	1	ADVANCED FILLING KITADVANCED FILLING KIT	
8		1	FITTING QUICK 1/2 GAS	[2]
9		1	NUT G 1/2 DIN 431 A SS	[2]
10		1	SUPPORT WATER INLET	[2]
11		1	GASKET RUBBER D.21x33x2.5 BLACK	[2]
12	9100000894	1	Winkelstück M/F PKDELBOW CURVED M/F PKD	
13	9100000622	1	GASKET RUBBER D.11.5X19X5 BLACK SIPGASKET RUBBER D.11.5X19 H8 BLACK PKD	
14	9100000897	1	VALVE WATER STOP PKDVALVE WATER STOP PKD	
15		2	SCREW 3X12 PAN PHIL W/O BIT F PLASTIC	[2]
[K1]	55944920	1	COVER INLET KIT	
[K2]	55944921	1	HARDWARE FILLING KIT	

Part Notes:

- [1] - K1
- [2] - K2



Pos.	Artikel-Nr.	Menge	Variante	Notes
1	55944922	1	RUBBER FRONT PANEL SIP	
2	9100002437	1	SCREW M5X20 TORX ISO7380-2 10 PCS SETSCREW 5X20 TORX ISO7380-2 10 PCS SET	
3	55944923	1	PANEL FRONT SIP	
4		1	COVER DECORATING F FRONT PANEL	[1]
5		1	FRONT LIGHT W LASER	[2]
6		1	FRONT LIGHT	[3]
7		1	HARNESS FRONT LIGHT SIP	[4]
8		2	SCREW 4X16 SELF PAN HD TORX F PLASTIC	[5]
[K1]*	55944924	1	COVER DECORATING F FRONT PANEL SIPCOVER DECORATING F FRONT PANEL KIT	
[K2]*	55944925	1	FRONT LIGHT W LASER SIPFRONT LIGHT W LASER KIT	
[K3]*	55944926	1	FRONT LIGHT SIPFRONT LIGHT KIT	

Part Notes:

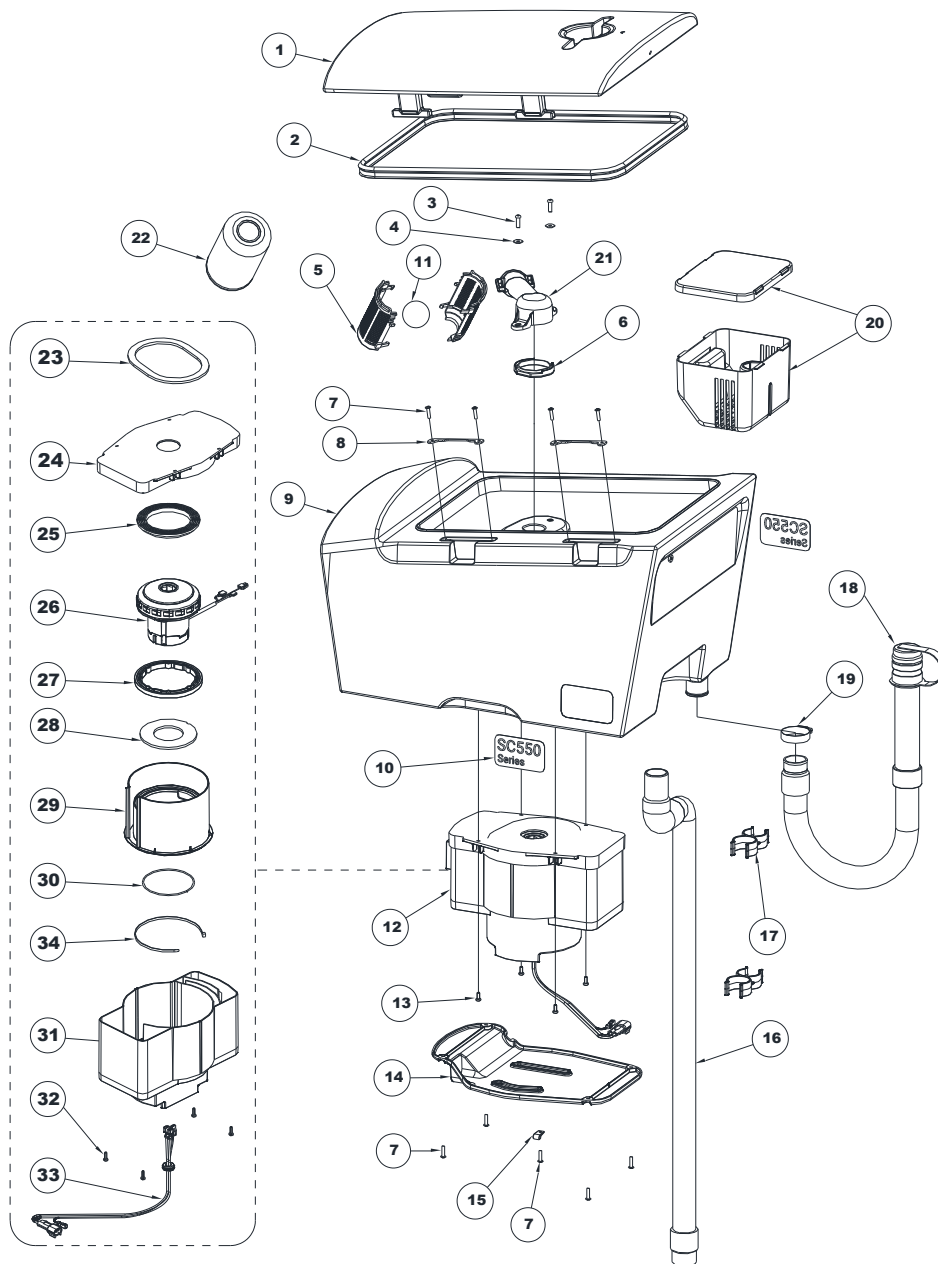
- [1] - K1
- [2] - K2
- [3] - K3
- [4] - K2/K3
- [5] - K1/K2/K3



Hotline: 0 73 03 / 901 980

Zur Aumühle 36 | 89257 Illertissen  
 Tel.: 0 73 03 / 901 980 | Fax 0 73 03 / 901 981 8  
 info@wap-nilfisk-alto-shop.de

www.wap-nilfisk-alto-shop.de



Pos.	Artikel-Nr.	Menge	Variante	Notes
1	55944927	1	RECOVERY LID SIP	
2	9100000819	1	Tank-Dichtung	
3		2	SCREW M6X16 UNI7687 SS	[1]
4		2	WASHER 6X18X1.5 UNI6593 SS	[1]
5	9100000818	1	CAGE FLOAT HALF 2 PCS SET	
6	9100000928	1	GASKET FLOAT SUPPORT PKDGASKET FLOAT SUPPORT SIP	[1]
7	9100002437	1	SCREW M5X20 TORX ISO7380-2 10 PCS SETSCREW 5X20 TORX ISO7380-2 10 PCS SET	
8	9100002985	1	PLATE HINGE LOCATOR KIT	
9	55944928	1	RECOVERY TANK 50 L SIP	
10	55944839	1	DECAL ASSEMBLYDECALS NILFISK KIT	
11	9100000817	1	Kugel Schwimmerventil	
12	55944930	1	MOTOR VACUUM KIT	
13		4	SCREW M5X12 PAN HD PHIL ISO7045	[2]
14	9100000815	1	COVER F VACUUM MOTOR SOUNDPROOFING SIPCOVER F VACUUM MOTOR SOUNDPR. SIP	
15		1	CLAMP CABLE BLACK	[2]
16	55944931	1	HOSE SUCTION SQUEEGEE 90 BLACK SIP	
17	9100000889	1	CLIP HOSE STOPPING 2 PCS SET	
18	55944932	1	HOSE DRAIN BLACK SIP	
19	9100001348	1	CLAMP 14/32-52 10 PCS SETCLAMP 14/32-52	[2]
20	55944933	1	TRAY DEBRIS KIT	
21		1	CAGE FLOAT	[1]
22*	909 5065 000	1	Filter antischäum	
23		1	GASKET VACUUM MOTOR	[2]
24	9100000824	1	SUPPORT UPPER F VAC. MOTOR SOUNDPR. SIPSUPP. UPPER F VAC. MOTOR SOUNDPR. SIP	
25		1	MOTOR SEALING - LOWER	[2]
26	55944934	1	VACUUM MOTOR BLDC 24V 350W SIP	
27		1	RUBBER SEALING UPPER	[2]
28		1	GASKET COLLECTOR	[2]
29	9100000822	1	SUPPORT INT. INSULATION VAC. MOTOR SIP	
30		1	O-RING 2.5X109 EPDM	[2]
31	9100000821	1	SUPPORT EXT. INSULATION VAC. MOTOR SIP	
32		4	SCREW 5X16 PAN PHIL W/O BIT F PLASTIC	[2]
33	55944935	1	HARNES VACUUM MOTOR SIP	
34		1	TIE CABLE 4.8X430 WHITE	[2]
[K1]	9100001875	1	SUPPORT FLOAT KIT	
[K2]	55944936	1	GASKETS AND HARDWARE KIT	

Part Notes:

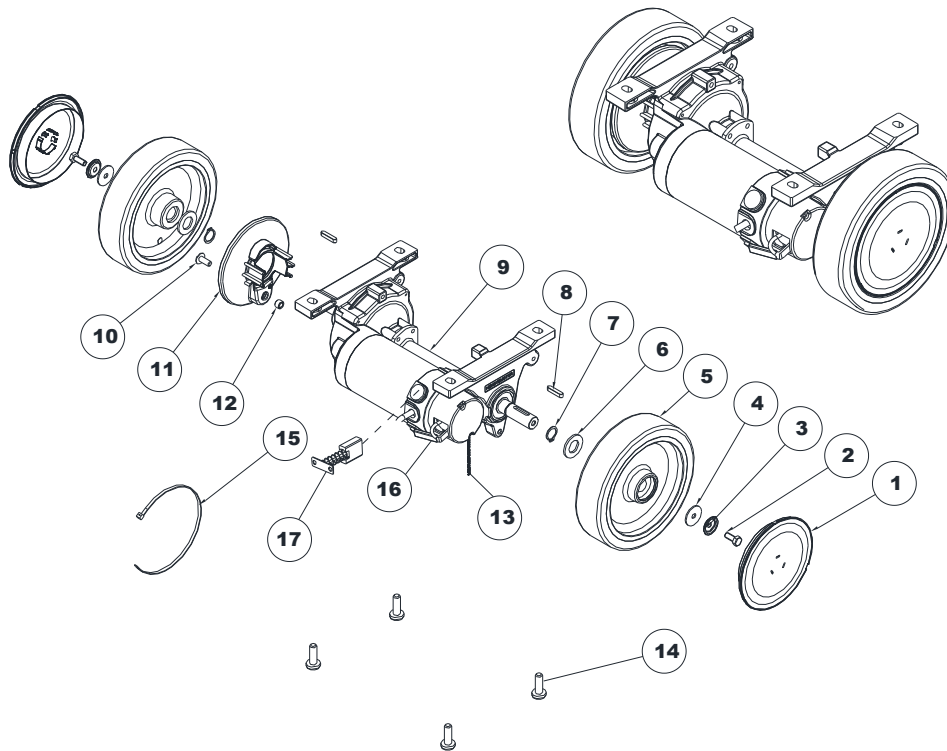
- [1] - K1
- [2] - K2



Hotline: 0 73 03 / 901 980

Zur Aumühle 36 | 89257 Illertissen  
 Tel.: 0 73 03 / 901 980 | Fax 0 73 03 / 901 981 8  
 info@wap-nilfisk-alto-shop.de

www.wap-nilfisk-alto-shop.de



Pos.	Artikel-Nr.	Menge	Variante	Notes
1	55944937	1	COVER WHEEL 2 PCS SET	
2		2	SCREW M8X20 HEX HD F/THD SS ISO4017	[1]
3		2	FLANGE M8	[1]
4		2	WASHER PLAIN M8X32X2 SS ISO7093	[1]
5	9100002455	2	WHEEL TRACTION D.200X50 BLACK/GREY SIP	
6		2	WASHER PLAIN M20X37 ISO7089	[1]
7		2	SHAFT RING D.20	[1]
8	9100001156	1	Keil 6X30 UNI6604A 10 PCS SET	
9	55944938	1	TRACTION MOTOR 24V 200W KIT	
10		1	SCREW M8X20 BUTTON HD HEX FLA ISO7380-2	[2]
11		1	COVER WHEEL PLASTIC	[2]
12		1	BUSHING D.8.1X12X7.3 GALV.	[2]
13	9100002418	1	CHAIN ANTISTATIC KIT	
14		4	SCREW M10X25 BUTT HD FLA 10.9 ISO7380-2	[1]
15		1	TIE CABLE 4.8X430 WHITE	[1]
16	55944939	1	ELECTROMAGNETIC BRAKE SIP	
17	55944940	1	CARBON BRUSHES KIT 4 PCS F DR MTRCARBON BRUSHES KIT 4 PCS	
[K1]	9100002594	1	COVER WHEEL PLASTIC KITCARTER WHEEL PLASTIC KIT	
[K2]	55944941	1	HARDWARE MOTOR DRIVE KITHARDWARE MOTOR DRIVE SYSTEM KIT	

Part Notes:

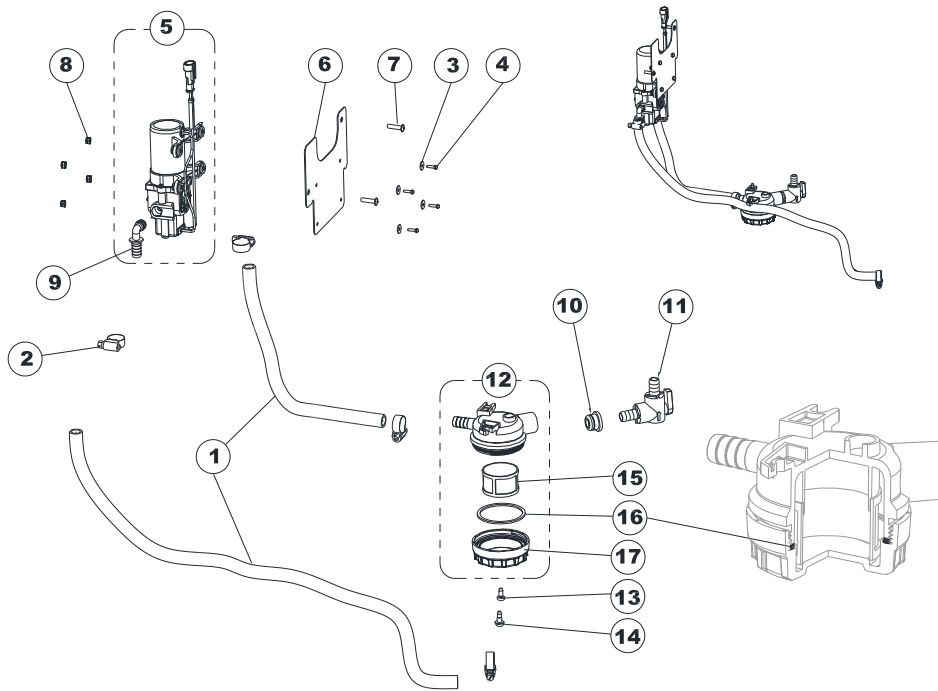
- [1] - K2
- [2] - K1



Hotline: 0 73 03 / 901 980

Zur Aumühle 36 | 89257 Illertissen  
 Tel.: 0 73 03 / 901 980 | Fax 0 73 03 / 901 981 8  
 info@wap-nilfisk-alto-shop.de

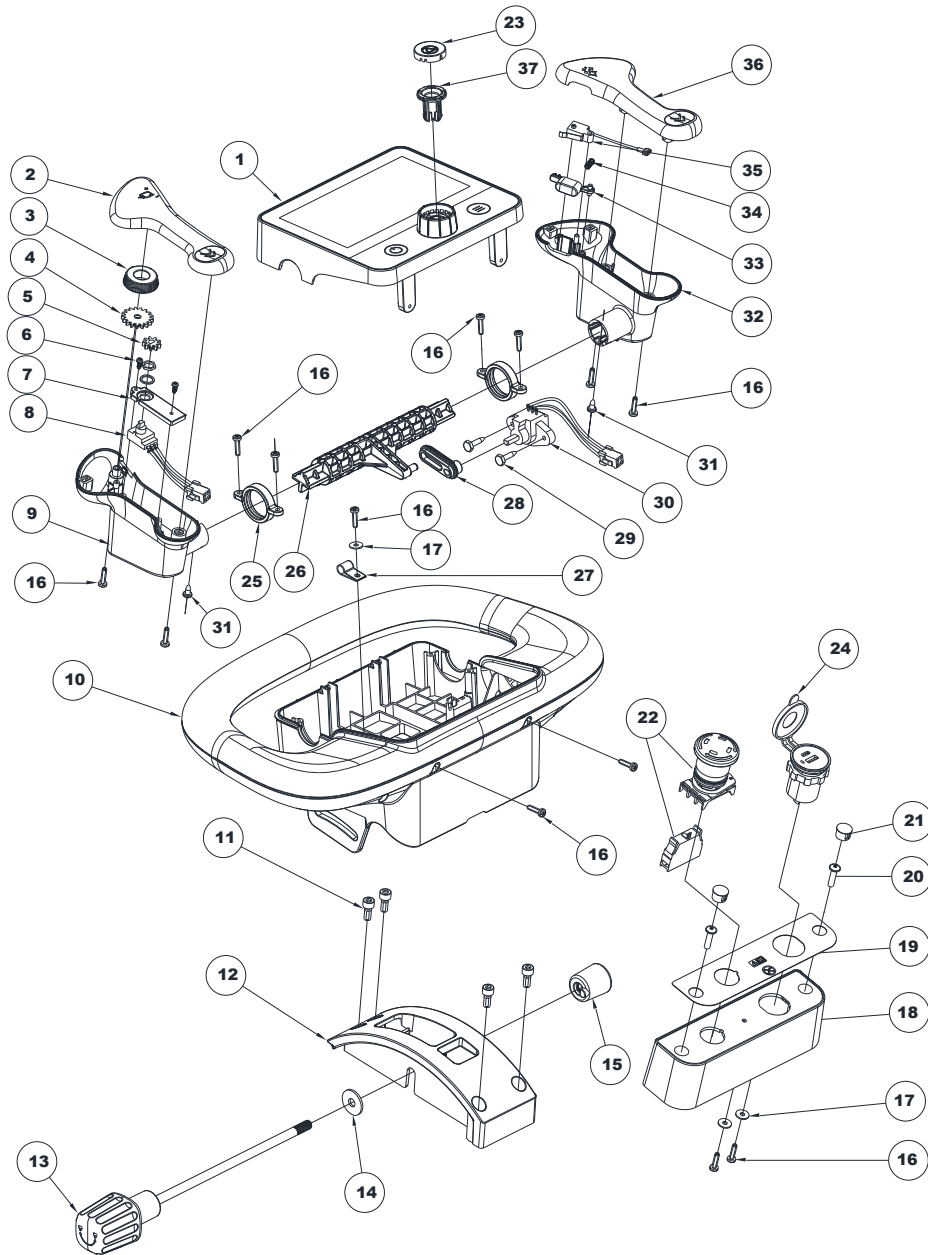
www.wap-nilfisk-alto-shop.de



Pos.	Artikel-Nr.	Menge	Variante	Notes
1	55944955	1	HOSES SOLUTION KIT	
2		4	CLAMP HOSE D.12-22	[1]
3		4	WASHER PLAIN M4X12 ISO7093	[1]
4		4	SCREW M4x20 HEX HD F/THD ISO4017	[1]
5	55944956	1	SOLUTION PUMP 24V 3.8L/MIN 40PSI SIP	
6	55944957	1	SUPPORT PUMP SIP	
7		2	SCREW M5X20 WN1451 BLACK ZN	[1]
8		4	NUT LOCK HEX M4 LOW SS ISO10511	[1]
9	55944958	1	WATER PIPE JOINT 2 PCS SET	
10	55944959	1	GASKET RUBBER F BARB HOSE D.10 2 PCS SET	
11	910000803	1	HAHN	
12	55944960	1	FILTER KIT	
13		1	SCREW M5X12 DIN 7500C A2K TX25 TAPTITE	[1]
14		1	TAPT SCREW M5X14.5 DIN7500 PWH T25 SS	[1]
15	910000861	1	NET WATER FILTER REINFORCED PKD	
16		1	GASKET	[2]
17		1	COVER F FILTER	[2]
[K1]	55944962	1	HARDWARE WATER FLOW SYSTEM KIT	
[K2]	55944961	1	COVER AND GASKET KIT	

Part Notes:

- [1] - K1
- [2] - K2



Pos.	Artikel-Nr.	Menge	Variante	Notes
1	55944963	1	UI MODUL SIP	
2		1	PADDLE COVER LT	[1]
3		1	DIAL SPEED ADJUST	[1]
4		1	IDLE GEAR	[1]
5		1	DRIVEN GEAR	[1]
6		2	SCR-TORX SELF THD M3X8 PLASTIC	[1]
7		1	HOLD POTENTIOMETER	[1]
8		1	POTENTIOMETER ASSEMBLY	[1]
9		1	PADDLE SUPPORT LT	[1]
10	55944964	1	HANDLEBAR SIP	
11		4	SCREW M6X14 CAP HD HEX SOCK SS ISO4762	[2]
12	55944965	1	GUIDE RAIL SIP	
13		1	KNOB F STEERING ADJUST	[3]
14		1	WASHER	[3]
15		1	NUT LOCKING	[3]
16		13	SCREW 4X16 SELF PAN HD TORX F PLASTIC	[4]
17		3	WASHER PLAIN M4X12 ISO7093	[2]
18		1	COVER ELECTRIC BUTTON	[5]
19		1	DECAL F ELECTRIC BUTTON COVER	[5]
20		2	SCREW M5X20 WN1451 BLACK ZN	[5]
21		2	PLUG DOME PLASTIC BLACK D.14.7	[5]
22	55944966	1	SWITCH EMERGENCY KIT	
23		1	COVER DIAL	[6]
24	55944967	1	USB PORT SIP	
25		2	SUPPORT F LEVER CONNECTION SHAFT	[7]
26		1	SHAFT LEVERS CONNECTION	[7]
27		1	CLAMP CABLE BLACK	[2]
28		1	ROD POTENTIOMETER	[7]
29		2	SCREW 4.2X19 SELF HEX HD W/WASH ISO10510	[2]
30	9100000837	1	POTENTIOMETER 5K PKDPOTENTIOMETER 5K SIP	[8]
31		2	SCREW 4.2X9.5 SELF PAN HD PHIL ISO7049	[2]
32		1	PADDLE SUPPORT RT	[9]
33		1	BUTTON BURST OF POWER	[9]
34		1	SPRING COMP 4.8MM-11MM	[9]
35		1	MICROSWITCH ASSEMBLY	[9]
36		1	PADDLE COVER RT	[9]
37		1	HOLDER DIAL	[6]
[K1]	55944968	1	PADDLE F SPEED CONTROL DIAL KIT	[10]
[K2]	55944969	1	PADDLE F BURST OF POWER BUTTON KIT	[11]
[K3]	55944970	1	STEERING SYSTEM FIXING KIT	
[K4]	55944971	1	COVER ELECTRIC BUTTON KIT	
[K5]	55944972	1	KNOB F STEERING ADJUST KIT	
[K6]	55944973	1	SHAFT LEVERS CONNECTION KIT	
[K7]	55944974	1	COVER DIAL KIT	

Part Notes:

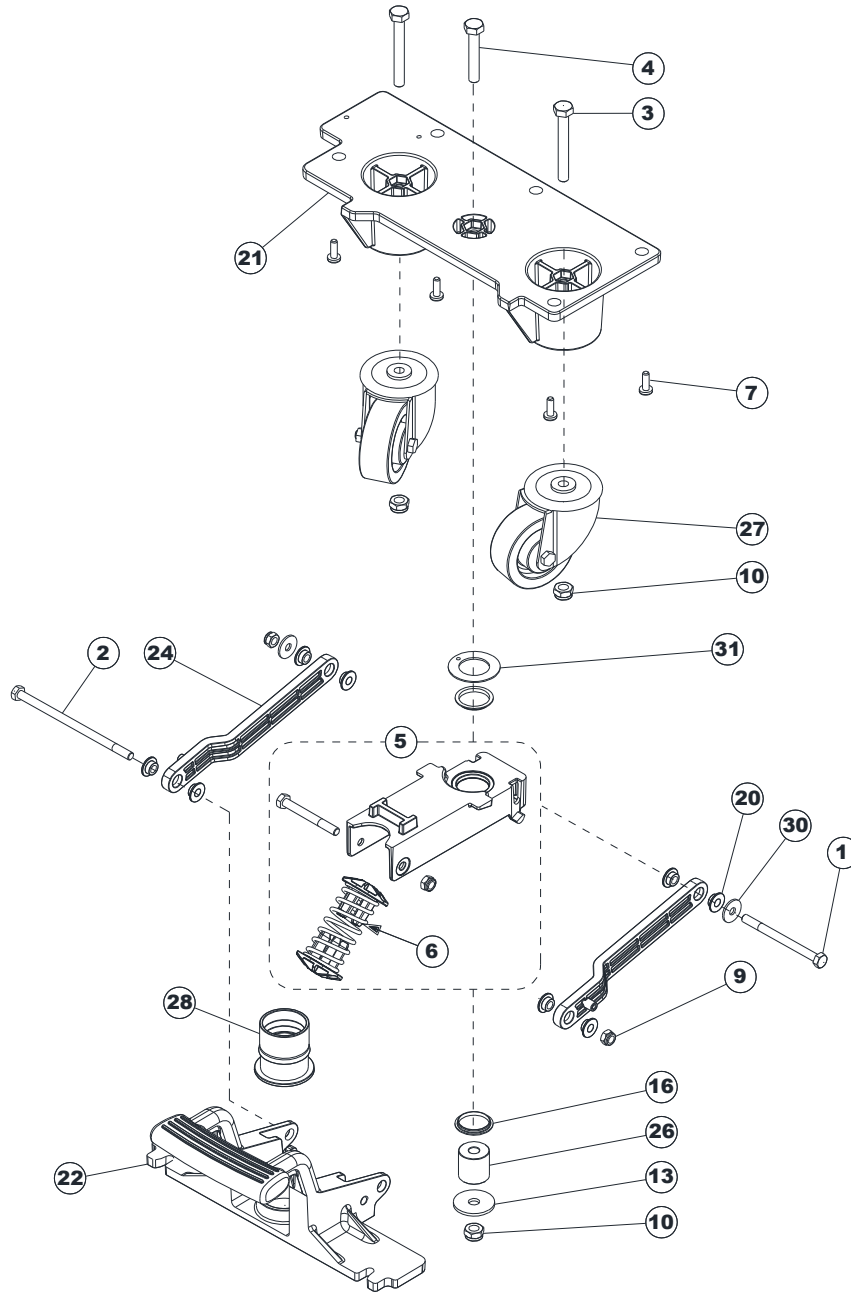
- [1] - K1
- [2] - K3
- [3] - K5
- [4] - K1/K2/K3
- [5] - K4
- [6] - K7
- [7] - K6
- [8] - SPEED POTENTIOMETER
- [9] - K2
- [10] - SLIGHT SPEED POTENTIOMETER
- [11] - BURST OF POWER BUTTON



Hotline: 0 73 03 / 901 980

Zur Aumühle 36 | 89257 Illertissen  
 Tel.: 0 73 03 / 901 980 | Fax 0 73 03 / 901 981 8  
 info@wap-nilfisk-alto-shop.de

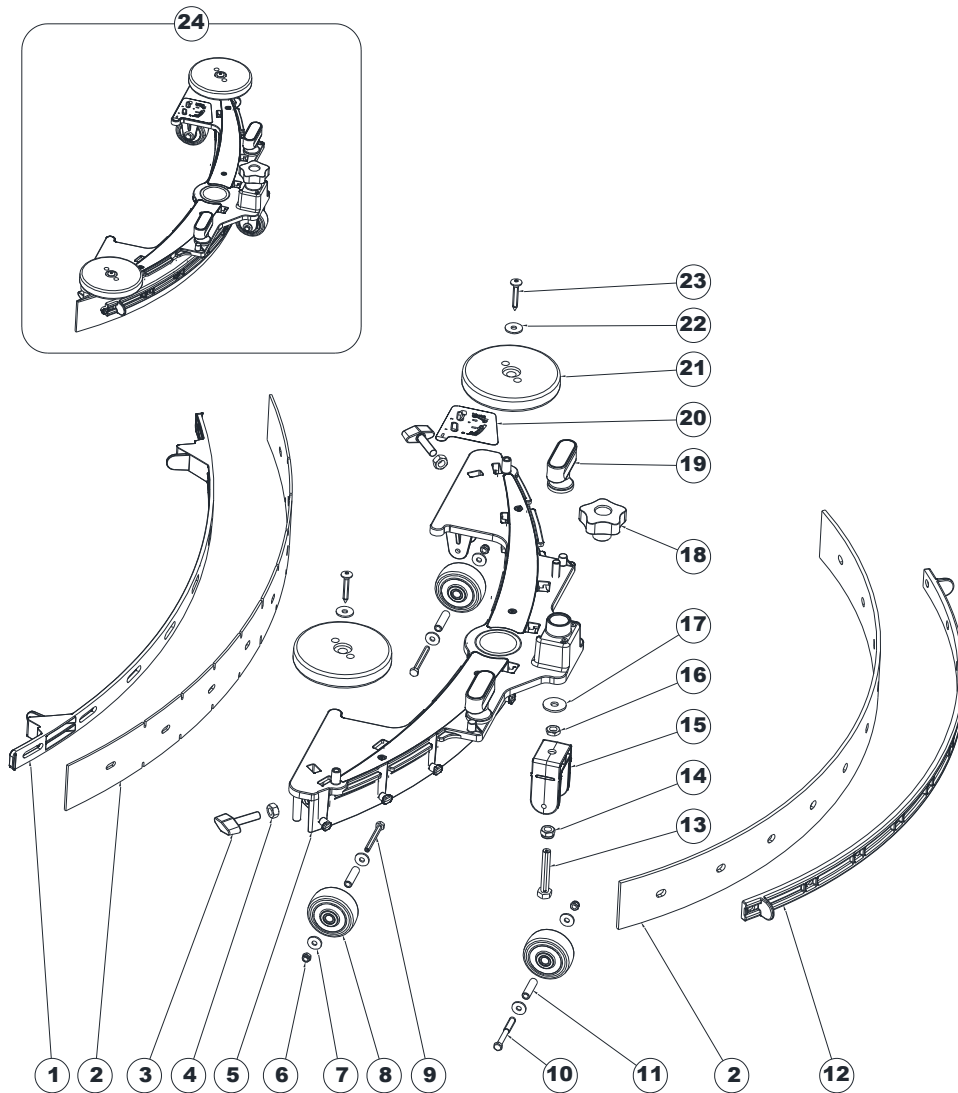
www.wap-nilfisk-alto-shop.de



Pos.	Artikel-Nr.	Menge	Variante	Notes
1		1	SCREW M8X100 UNI5737	[1]
2		1	SCREW M8X140 HEX HD ISO4014	[1]
3		2	SCREW M10X80 UNI5739	[1]
4		1	SCREW M10X60 UNI5739	[1]
5	9100002400	1	SUPPORT UPPER F SQUEEGEE KIT	[2]
6	9100002401	1	SPRING COMPRESSION KITSPRING WITH TERMINALS KIT	
7		4	SCREW M10X25 BUTT HD FLA 10.9 ISO7380-2	[1]
9		2	NUT SELF L. M8 UNI7474	[1]
10		3	NUT SELF L. M10 UNI7474	[1]
13		1	WASHER 10X40X2.5 UNI6593	[1]
16	9100000902	2	BEARING FLANGE IGLIDUR 2 PCS SET	[1]
20		8	BUSHING FLANGED	[1]
21	9100000851	1	SUPPORT REAR WHEELS-SQUEEGEE PKD	
22	9100000853	1	SUPPORT LOWER F SQUEEGEE PKD	
24	9100000854	1	LEVER SQUEEGEE LIFT 2 PCS SET	
26		1	SPACER 10.5X30X30.3	[1]
27	9100000856	1	Lenkräder hi. 2 PCS SETWHEEL PIVOTING 2 PCS SET	
28	9100002396	1	SLEEVE RUBBER BLACK F SUCTION HOSE SIP	
30		2	WASHER 8X24X2 FLAT ISO7093	[1]
31	9100000903	1	U-Scheibe GTM 3254-015 PKD	[1]
[K1]	9100000746	1	SUPPORT SQUEEGEE FIXING KIT	

Part Notes:

- [1] - K1
- [2] - IS\_9100002404\_FOR KIT 9100002400 SUPPORT UPPER SQUEEGEE KIT



Pos.	Artikel-Nr.	Menge	Variante	Notes
1	9100000865	1	STRAP FRONT SQUEEGEE BLADE PKDSTRAP FRONT SQUEEGEE BLADE SIP	
2*	9100000810	1	Sauglippen-Set, Gummi, 700 mm, 28BLADE SQUEEGEE 730MM 29 GUM KIT	
2*	9100000490	1	Sauglippen-Set PU Gummi, 740 mm, 29"BLADE SQUEEGEE 730MM 29 PU KIT	
2*	9100000060	1	Sauglippen-Set 730 mm, 29", rotBLADE SQUEEGEE 730MM 29 RED GUM KIT	
2*	55944456	1	BLADE SQUEEGEE 730MM 29 LINATEX KIT	
3	9100000791	2	KNOB M8X30 THD STUD SS PKD	
4		2	NUT HEX M8 MEDIUM SS ISO4032	[1]
5	9100000747	1	SQUEEGEE 730MM/29 PRE-ASSEMBLED PKDSQUEEGEE 730MM/29 PRE-ASSEMBLED SIP	
6		3	NUT LOCK HEX M5 LOW SS ISO10511	[1]
7		6	WASHER PLAIN M5X15 SS ISO7093	[1]
8	9100000559	3	Rad grau D.51	
9		2	SCREW M5X45 HEX HD P/THD SS ISO4014	[1]
10		1	SCREW M5x50 HEX HD P/THD SS ISO4014	[1]
11	9100002408	1	BEARING SLEEVE D.5.1X8 H.28.5 3 PCS SETSPACER 5.1X8X28.5 PLASTIC 3 PCS SET	[1]
12	9100000864	1	STRAP ELASTIC F REAR SQUEEGEE BLADE PKDSTRAP ELASTIC F REAR SQUEEGEE BL. SIP	
13		1	SCREW M8X50 HEX HD F/THD SS ISO4017	[1]
14		1	NUT LOCK HEX M8 LOW ISO10511	[1]
15	9100000866	1	SUPPORT SQUEEGEE WHEEL SIP	
16		1	NUT HEX M8 LOW SS ISO4035	[1]
17		1	WASHER PLAIN M8X24 SS ISO7093	[1]
18	9100000862	1	KNOB LOBES M8 FEMALE PKD	
19	55944975	1	SQUEEGEE FIXING KIT	
20		1	SQUEEGEE RATING LABEL	[1]
21	9100001816	1	WHEEL BUMPER D.100 PLASTIC 2 PCS SET	
22		2	WASHER PLAIN M6X18 SS ISO7093	[1]
23		2	SCREW 5X35 SELF PAN HD AW20 FLA BLACK	[1]
24*	55944976	1	SQUEEGEE 730MM/29 KIT	[2]
24*	55945119	1	SQUEEGEE 730MM/29 LN KIT	[3]
[K1]	55944977		HARDWARE SQUEEGEE KIT	

Part Notes:

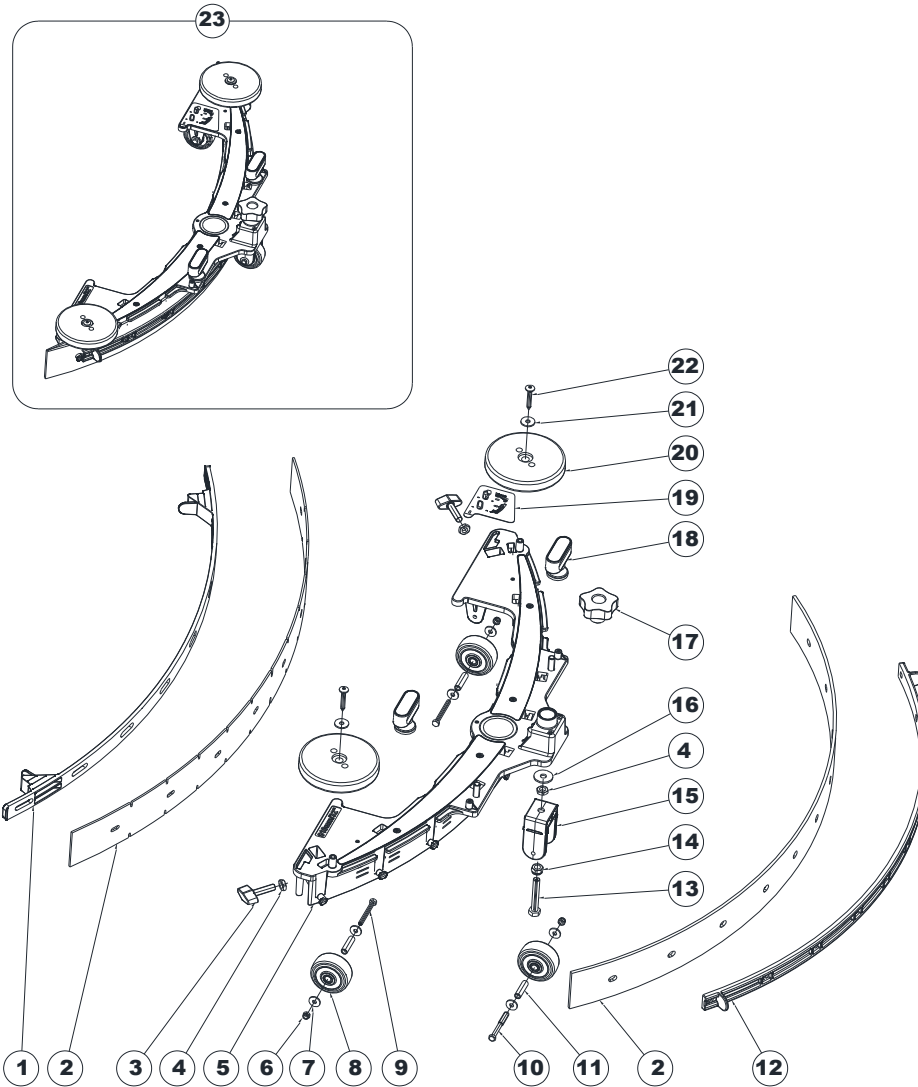
- [1] - K1
- [2] - WITH GUM BLADE
- [3] - WITH LINATEX BLADE



Hotline: 0 73 03 / 901 980

Zur Aumühle 36 | 89257 Illertissen  
 Tel.: 0 73 03 / 901 980 | Fax 0 73 03 / 901 981 8  
 info@wap-nilfisk-alto-shop.de

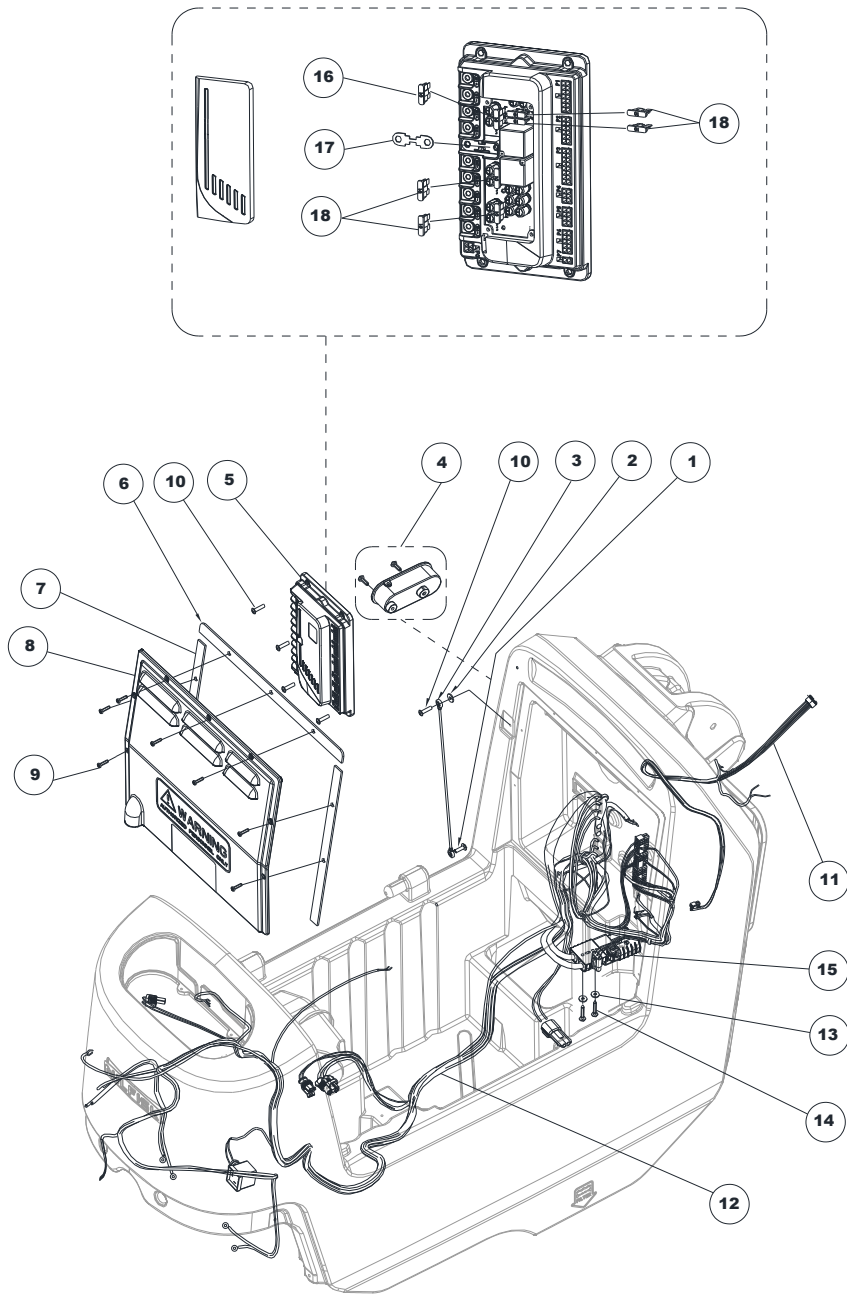
www.wap-nilfisk-alto-shop.de



Pos.	Artikel-Nr.	Menge	Variante	Notes
1	55944978	1	STRAP F FRONT SQUEEGEE BLADE SIP	
2*	55941295	1	BLADE SQUEEGEE 810MM 32 GUM KIT	
2*	55941296	1	BLADE SQUEEGEE 810MM 32 PU KIT	
2*	55941297	1	BLADE SQUEEGEE 810MM 32 RED GUM KIT	
2*	55944455	1	BLADE SQUEEGEE 810MM 32 LINATEX KIT	
3	910000791	2	KNOB M8X30 THD STUD SS PKD	
4		3	NUT HEX M8 LOW SS ISO4035	[1]
5	55944979	1	SQUEEGEE 810MM/32 PRE-ASSEMBLED SIP	
6		3	NUT LOCK HEX M5 LOW SS ISO10511	[1]
7		6	WASHER PLAIN M5X15 SS ISO7093	[1]
8	910000559	3	Rad grau D.51	
9		2	SCREW M5X45 HEX HD P/THD SS ISO4014	[1]
10		1	SCREW M5x50 HEX HD P/THD SS ISO4014	[1]
11	9100002408	1	BEARING SLEEVE D.5.1X8 H.28.5 3 PCS SETSPACER 5.1X8X28.5 PLASTIC 3 PCS SET	[1]
12	55944980	1	STRAP F REAR SQUEEGEE BLADE SIP	
13		1	SCREW M8X50 HEX HD F/THD SS ISO4017	[1]
14		1	NUT LOCK HEX M8 LOW ISO10511	[1]
15	9100000866	1	SUPPORT SQUEEGEE WHEEL SIP	
16		1	WASHER PLAIN M8X24 SS ISO7093	[1]
17	9100000862	1	KNOB LOBES M8 FEMALE PKD	
18	55944975	1	SQUEEGEE FIXING KIT	
19		1	SQUEEGEE RATING LABEL	[1]
20	9100001816	1	WHEEL BUMPER D.100 PLASTIC 2 PCS SET	
21		2	WASHER PLAIN M6X18 SS ISO7093	[1]
22		2	SCREW 5X35 SELF PAN HD AW20 FLA BLACK	[1]
23*	55944981	1	SQUEEGEE 810MM/32 KIT	[2]
23*	55945118	1	SQUEEGEE 810MM/32 LN KIT	[3]
[K1]	55944977	1	HARDWARE SQUEEGEE KIT	

## Part Notes:

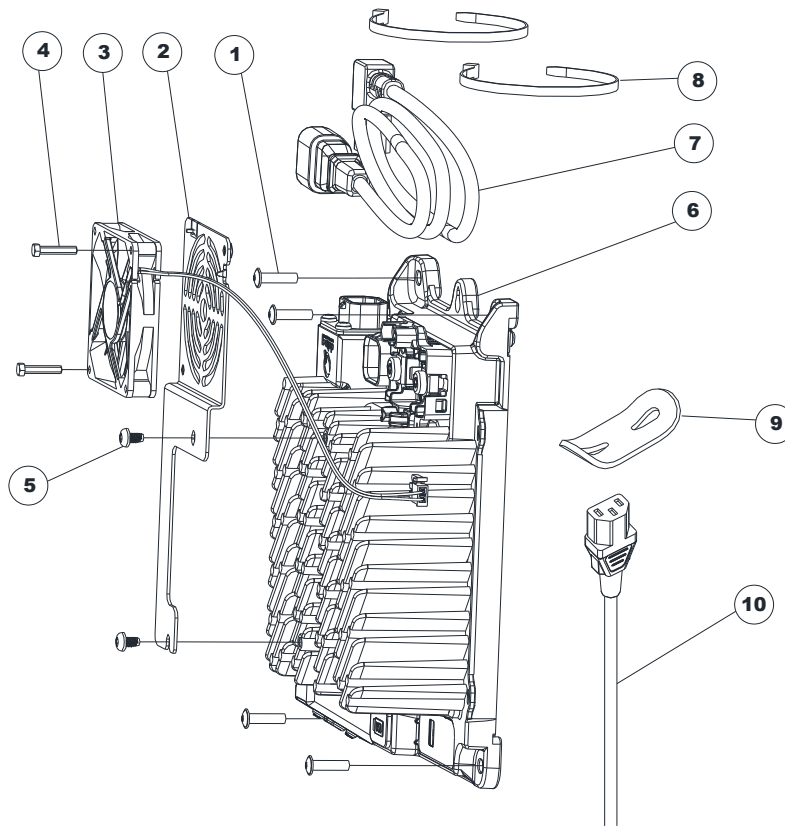
- [1] - K1  
 [2] - WITH GUM BLADE  
 [3] - WITH LINATEX BLADE



Pos.	Artikel-Nr.	Menge	Variante	Notes
1		1	SCR TRX M5X16 W/THD LCK BLK	[1]
2		1	WASHER PLAIN M5X15 ISO7093	[1]
3		1	CABLE SAFETY F TANK	[1]
4	55945016	1	HOOK KIT	
5	55945017	1	MAIN MACHINE CONTROLLER SIP	
6		1	GASKET UPPER ELECTRONIC COVER	[2]
7		2	GASKET SIDE ELECTRONIC COVER	[2]
8	9100000880	1	COVER BOX ELECTRIC COMP. SIPCOVER BOX ELECTRIC COMP. SIP.	
9		7	SCREW 4X16 SELF PAN HD TORX F PLASTIC	[3]
10		5	SCREW M5X20 WN1451 BLACK ZN	[4]
11	55945018	1	HARNESS UI BOARD CONNECTION SIP	
12*	55945019	1	HARNESS MAIN CONNECTION SIP	[5]
12*	55945020	1	HARNESS MAIN SINGLE N REV SIP	[6]
13		2	WASHER PLAIN M5X15 ISO7093	[3]
14		2	SCREW 5X35 SELF PAN HD AW20 FLA BLACK	[3]
15*	55945021	1	HARNESS CONTROLLER POWER SIP	[7]
15*	55945022	1	HARNESS CONTROLLER POWER LI BATT SIP	[8]
16		1	FUSE 32V DC 30A	[9]
17		1	FUSE 32V DC 150A	[9]
18		4	FUSE 32VDC 40A	[9]
[K1]	55945023	1	CABLE SAFETY F TANK KIT	
[K2]	9100000798	1	GASKETS COVER KIT	
[K3]	55945024	1	HARDWARE CONTROLLER MAIN MACHINE KIT	
[K4]	55945025	1	FUSE KIT	

Part Notes:

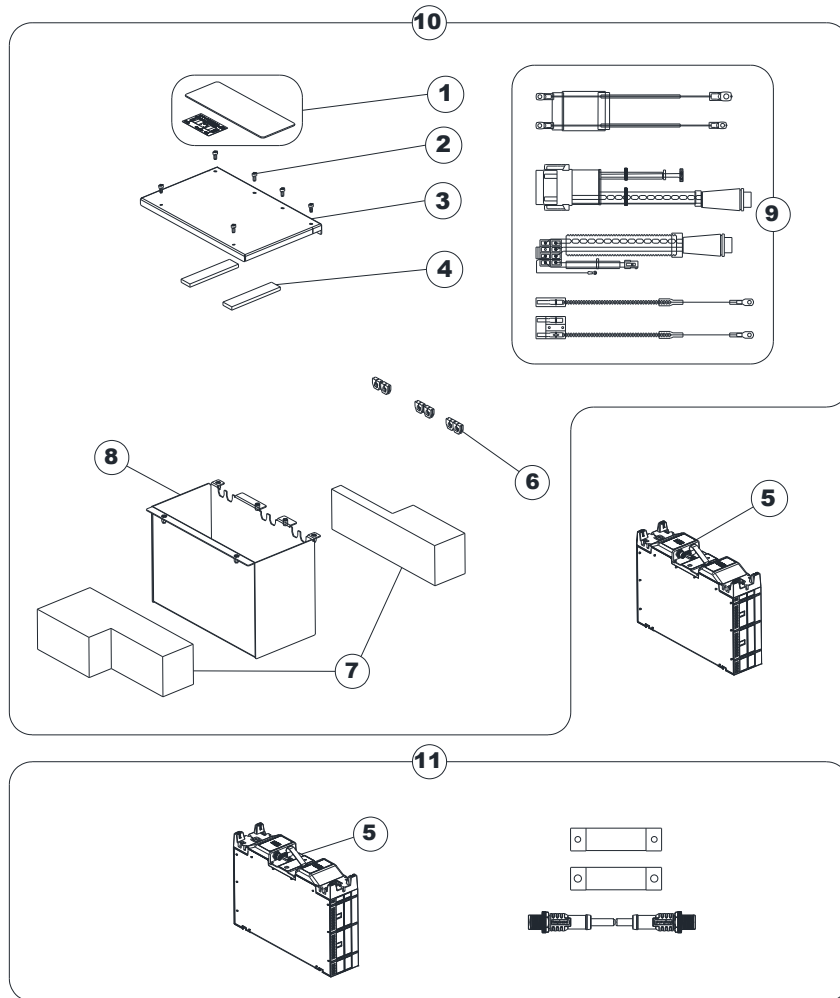
- [1] - K1
- [2] - K2
- [3] - K3
- [4] - K1/K3
- [5] - FOR DUAL DISC AND CYL
- [6] - FOR SINGLE DISC AND REV
- [7] - FOR 24V 50Ah BATTERY
- [8] - FOR 24V 64Ah BATTERY
- [9] - K4



Pos.	Artikel-Nr.	Menge	Variante	Notes
1		4	SCREW M5X20 WN1451 BLACK ZN	[1]
2	55945026	1	BRACKET FAN SIP	
3	55945027	1	DC FAN SIP	[2]
4		2	SCREW M4x20 HEX HD F/THD ISO4017	[1]
5		2	SCREW M5X8 PAN TORX TRILOBULAR DIN7500	[1]
6	55945459	1	CHARGER 24V 27A LI-ION ACECHARGER 24V 27A SIP	[2]
7	55942270	1	POWER CORD 1M AC250V EU	[3]
8		2	TIE CABLE 4.8x250 BLACK	[1]
9	9100000829	1	BAND ELASTIC F EXTENSION CABLE PKD	
10*	9100000787	1	CABLE EXTENSION EU PLUG L.2000 PKDCABLE EXTENSION EU PLUG L.2000 SIP	[4]
10*	1466318000	1	CABLE EXTENSION UK PLUG L.2000MM SIP	[4]
[K1]	55945029	1	HARDWARE LI-ION CHARGER KIT	

Part Notes:

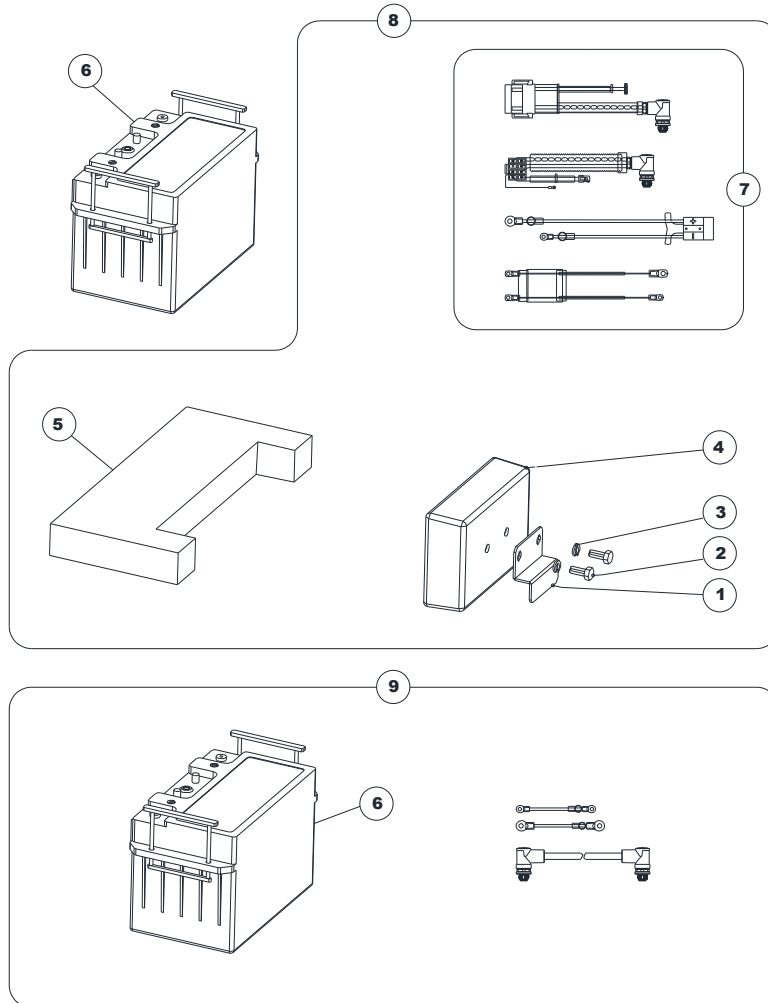
- [1] - K1
- [2] - LI-ION BATTERY SYSTEM
- [3] - FOR EU MACHINE
- [4] - FOR EU/UK MACHINE



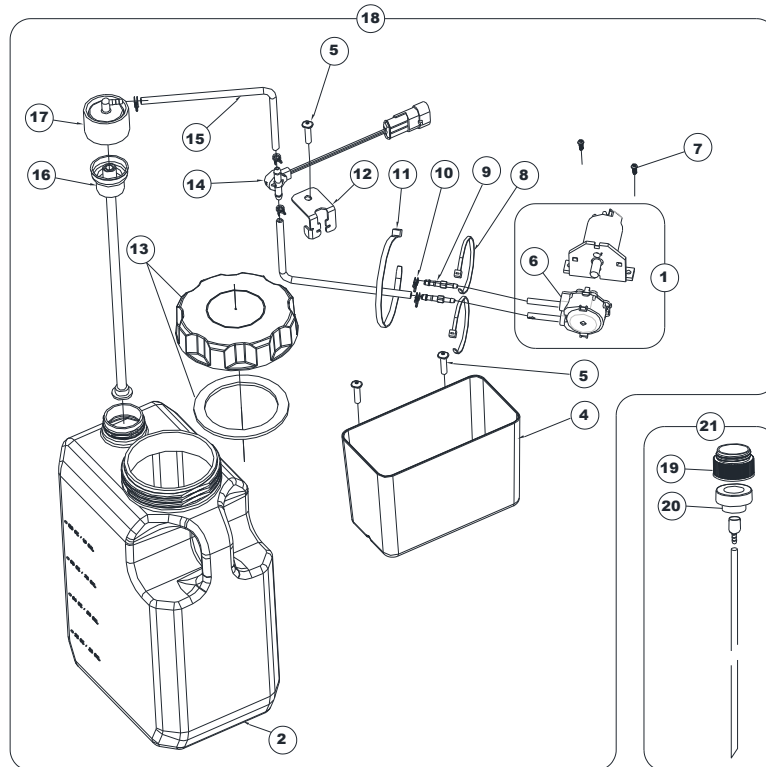
Pos.	Artikel-Nr.	Menge	Variante	Notes
1	55945030	1	LABEL F LI-ION BATTERY KIT	
2		6	SCREW M6X12 CAP HD HEX SOCK ISO4762	[1]
3		1	COVER BOX LI-ION BATTERY	[1]
4		2	FOAM	[1]
5*	106479002	1	BATTERY PACK, 24 VOLT, 7S20PBATTERY PACK, 24 VOLT, 7S20P	
6		6	GROMMET CROSSCUT D13.5 X2	[1]
7	55945031	1	LI-ION FIXING FOAM KIT	[2]
8		1	BOX LI-ION BATTERY	[1]
9	55945032	1	HARNESS LI-ION STANDARD KIT	
10*	55945033	1	BATTERY FIX AND HARNESS KIT (24V 64Ah)	[3]
11*	9100003110	1	Batterie Lilon 24V UPGRADE KITLITHIUM ION EXPANSION KIT (24V 64Ah)	[4]
[K1]	55945034	1	LI-ION BOX KIT	

Part Notes:

- [1] - K1
- [2] - FOR 64Ah BATTERY
- [3] - KIT DOES NOT INCLUDES BATTERY
- [4] - KIT INCLUDES 1 BATTERY







Pos.	Artikel-Nr.	Menge	Variante	Notes
1	9100002398	1	Chemiepumpe 24V SIP	
2	9100001081	1	CHEMIE TANK PKDDETERGENT TANK SIP	
4	9100002971	1	SUPPORT WATER LEVEL SENSOR SIP	
5		3	SCREW M5X20 WN1451 BLACK ZN	[1]
6	9100002388	1	HEAD PERISTALTIC PUMP DETERG. SIP	
7		2	SCR-TORX SELF THD M3X8 PLASTIC	[1]
8		2	TIE CABLE 2.9x130 BLACK	[1]
9	9100002402	1	BARB HOSE STRAIGHT D.5-D.4 2 PCS SETBARB HOSE STRAIGHT D.5-D.4 PLAST. 2 PCS SET	
10		5	CLAMP 6.6X 7	[1]
11		1	TIE CABLE 4.8x250 BLACK	[1]
12	55945040	1	BRACKET SENSOR SIP	
13	55945041	1	CAP PLASTIC F CHEMICAL TANK SIPCAP PLASTIC F CHEMICAL TANK	
14	55943461	1	DETERGENT LEVEL SENSORDETERGENT LEVEL SENSOR SIP	
15	55945042	1	HOSE SILICONE D.4X7 - L=120MM 2PCS SET	
16	56104189	1	EINSTECK-TROCKENBREMSE	
17	56315523	1	Deckel EDS-SchwimmerCAP DRY BREAK 1/8 BARB	
18*	55945043	1	ECOFLEX DETERGENT KIT SC550	
19	9097023000	1	Adapter f. Chemie TankADAPTER DETERGENT TANK	
20	9097022000	1	NiveaufühlerSENSOR DETERGENT MIX LEVEL	
21*	9098025000	1	Reduzierstück f.ADAPTER DETERGENT KIT	
[K1]	55945044	1	HARDWARE ECOFLEX KITHARDWARE ECOFLEX KIT	

Part Notes:

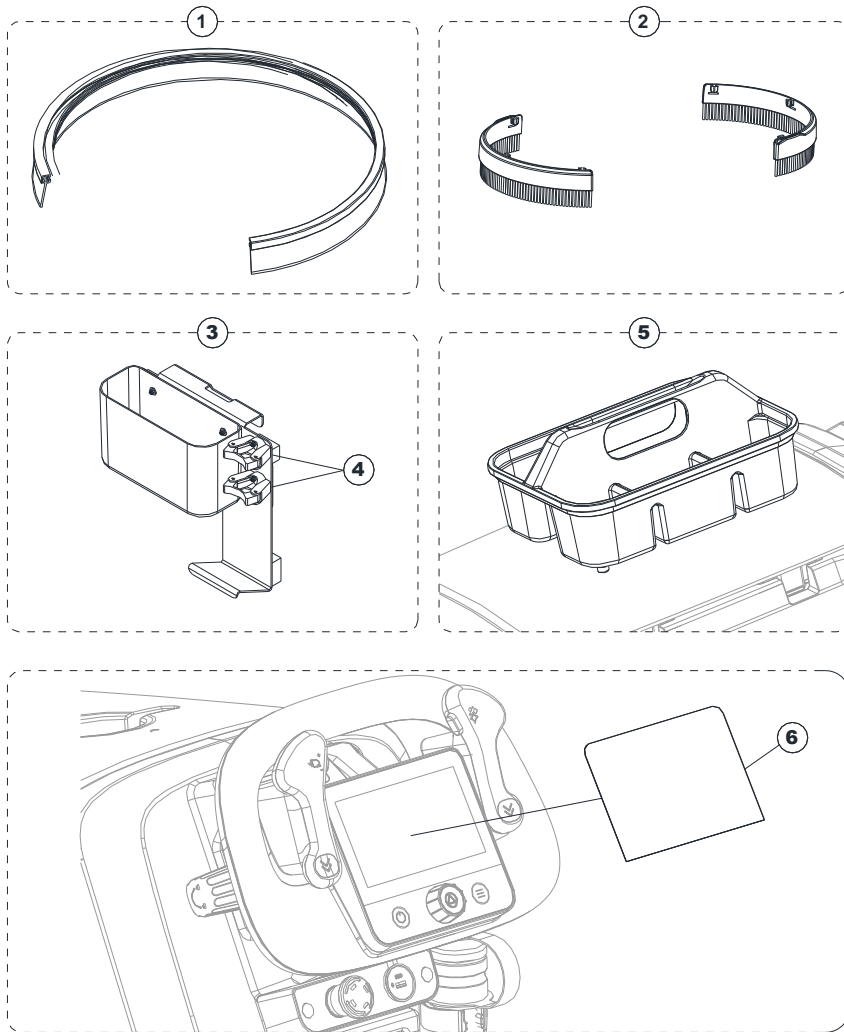
[1] - K1



Hotline: 0 73 03 / 901 980

Zur Aumühle 36 | 89257 Illertissen  
 Tel.: 0 73 03 / 901 980 | Fax 0 73 03 / 901 981 8  
 info@wap-nilfisk-alto-shop.de

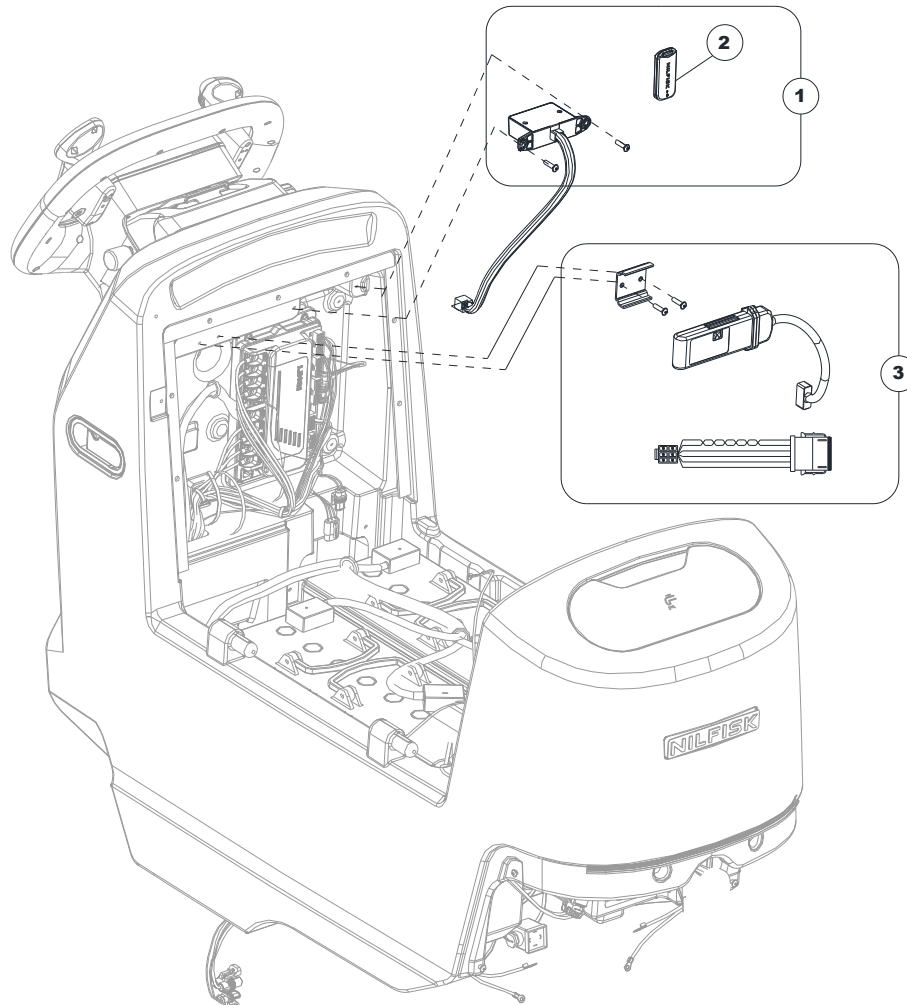
www.wap-nilfisk-alto-shop.de



Pos.	Artikel-Nr.	Menge	Variante	Notes
1*	9100001441	1	Spritzschutz komplettSPLASH GUARD 510MM 20 KIT	
2*	55945045	1	SPLASH GUARD F DUAL DECK 24IN KIT	
3*	9100002280	1	Mophalter, Zubehörkorb	[1]
4	9100001369	2	Mophalter	
5*	55945046	1	CADDY KIT	
6*	55944552	1	SCREEN PROTECTOR	

## Part Notes:

[1] - IS\_9100002279\_FOR KIT 9100002280  
IS\_9100002279\_FOR KIT 9100002280



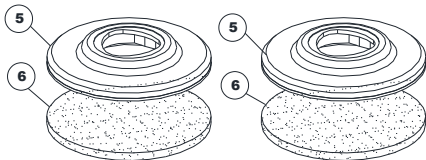
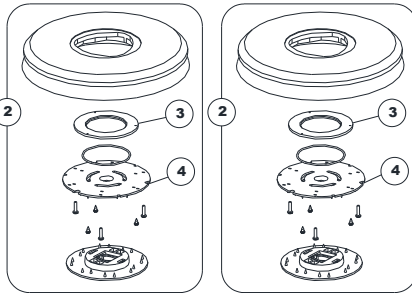
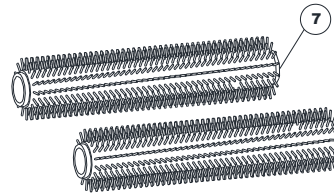
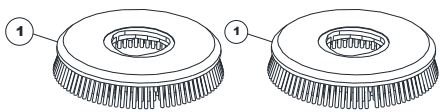
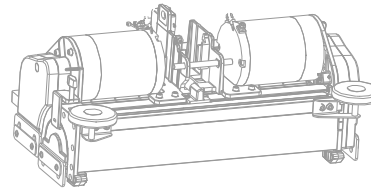
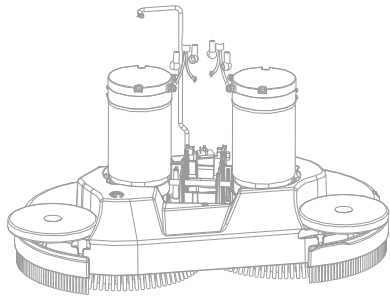
Pos.	Artikel-Nr.	Menge	Variante	Notes
1*	55945047	1	FOB KIT	
2	55945048	1	KEY FOB SIP	
3*	55945049	1	CONNECTIVITY KIT TC1 SC550	



**Hotline: 0 73 03 / 901 980**

Zur Aumühle 36 | 89257 Illertissen  
 Tel.: 0 73 03 / 901 980 | Fax 0 73 03 / 901 981 8  
 info@wap-nilfisk-alto-shop.de

**www.wap-nilfisk-alto-shop.de**



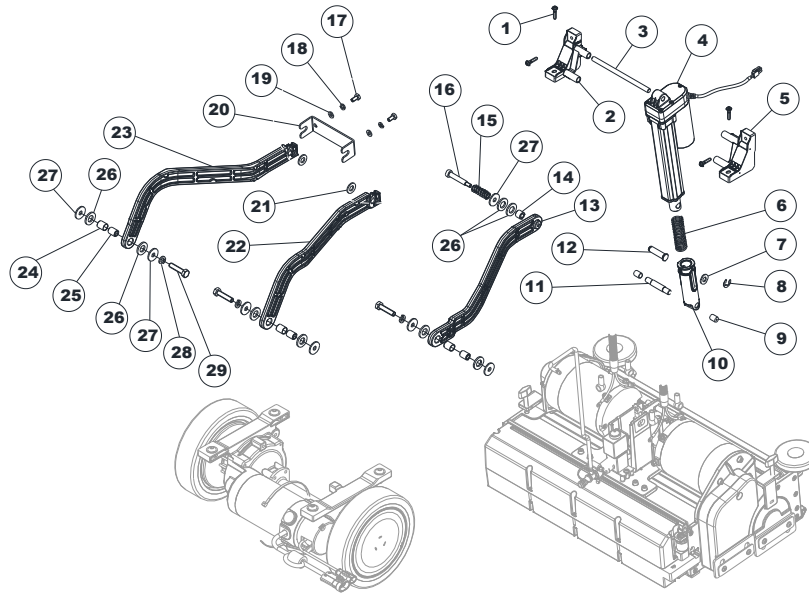
Pos.	Artikel-Nr.	Menge	Variante	Notes
7*	909 5823 000	2	Walzenbürste PP 0,4	
7*	909 5824 000	2	Walzenbürste PP 0,45	
7*	909 5825 000	2	Walzenbürste abrasiv, PP 0,6	



**Hotline: 0 73 03 / 901 980**

Zur Aumühle 36 | 89257 Illertissen  
 Tel.: 0 73 03 / 901 980 | Fax 0 73 03 / 901 981 8  
 info@wap-nilfisk-alto-shop.de

[www.wap-nilfisk-alto-shop.de](http://www.wap-nilfisk-alto-shop.de)



Pos.	Artikel-Nr.	Menge	Variante	Notes
1		4	SCREW 5X22 SELF PAN HD TORX F PLAST.	[1]
2		1	SHAFT HOLDER F ACTUATOR LT	[1]
3		1	PIN CYLINDR. D.8X140 ISO2338	[1]
4	55944945	1	ACTUATOR 24V 550N 105MM SIP	[2]
5		1	SHAFT HOLDER F ACTUATOR RT	[1]
6	55944946	1	SPRING COMP 19.8MM-70MM SIP	
7		1	WASHER PLAIN M10X20 ISO7089	[3]
8		1	E-RING ETW-9	[3]
9	55944948	1	CAP D. 10MM PLASTIC 10 PCS SET	
10	55944947	1	ACTUATOR CONNECTOR SIP	
11		1	PIN D.10X57	[3]
12		1	PIN D.10X39 MM	[3]
13	55944953	1	LEVER RT. FOR CYL DECK LIFTING SIP	
14		1	SPACER D.8. 1X13 H.10.8	[4]
15		1	SPRING COMP 13MM-35MM	[4]
16		1	SCREW SHOUL 8X40 M6 GEOMET 321A ISO7379	[3]
17		2	SCREW M6X12 HEX HD F/THD ISO4017	[5]
18		2	WASHER SPRING LOCK M6 DIN127-B	[5]
19		2	WASHER PLAIN M6X12 ISO7089	[5]
20		1	LEVER CONNECT	[5]
21		2	WASHER NYLON 10.5x20x2	[5]
22	55944949	1	LEVER RT F DECK LIFTING SIP	
23	55944950	1	LEVER LT F DECK LIFTING SIP	
24		3	BEARING SLEEVE IGLIDUR GSM-1213-15	[6]
25		3	SPACER 8.1X12 H.15.3 GALV.	[6]
26		8	WASHER PLAIN M12X24 NYLON ISO7089	[7]
27		7	WASHER PLAIN M8X24X2 ISO7093	[7]
28		3	WASHER SPRING LOCK M8 DIN127-B	[6]
29		3	SCREW M8x35 HEX HD F/THD ISO4017	[6]
[K1]	55944942	1	SHAFT HOLDER F ACTUATOR KIT	
[K2]	55944951	1	HARDWARE ACTUATOR CONNECTOR KIT	
[K3]	55944954	1	HARDWARE CYL DECK LIFTING KIT	
[K4]	55944952	1	LEVER CONNECT KIT	
[K5]	55944944	1	HARDWARE BRUSH LIFTING KIT	

Part Notes:

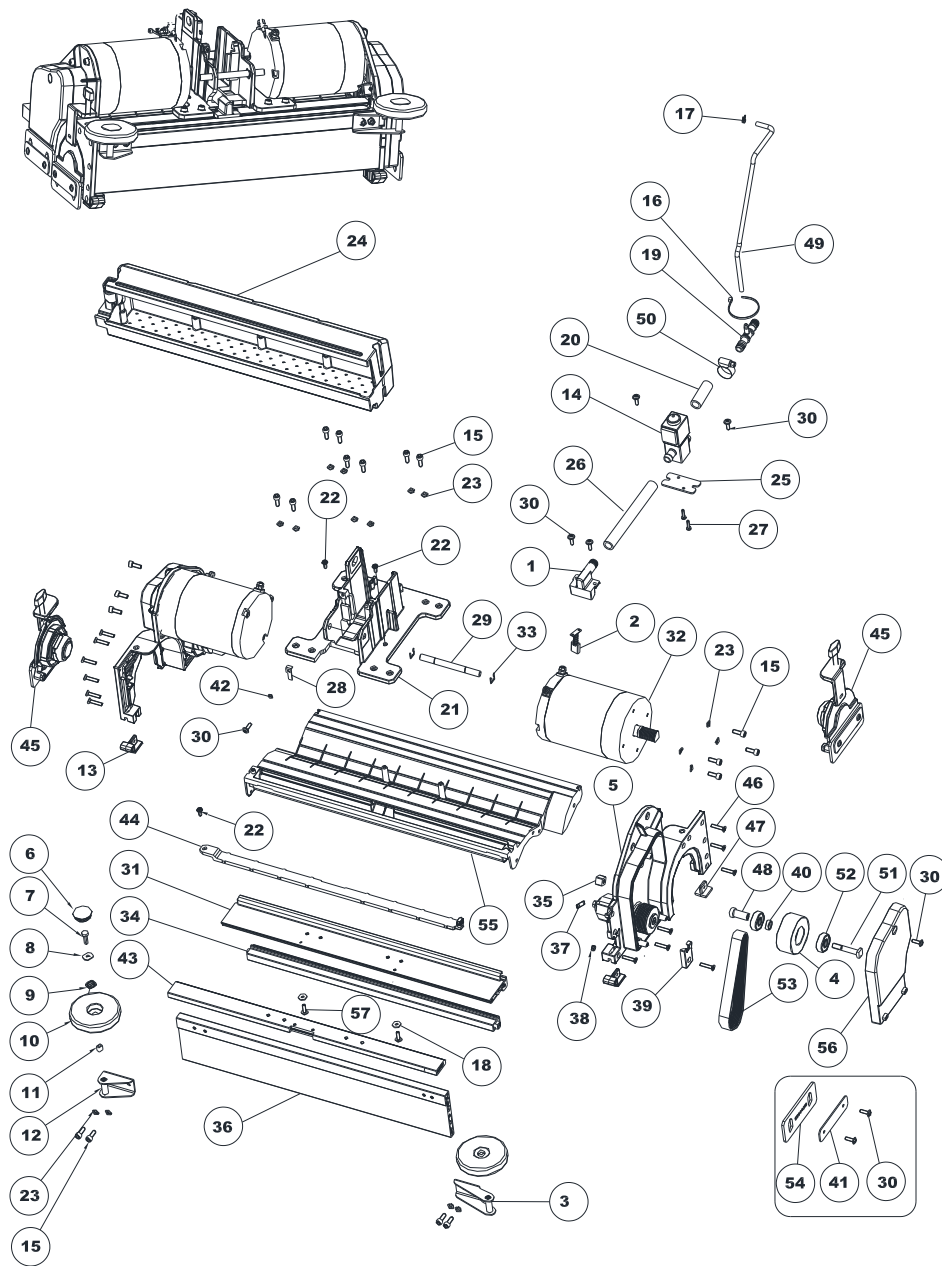
- [1] - K1
- [2] - FOR DUAL DISC AND CYL
- [3] - K2
- [4] - K3
- [5] - K4
- [6] - K5
- [7] - K3/K5



Hotline: 0 73 03 / 901 980

Zur Aumühle 36 | 89257 Illertissen  
 Tel.: 0 73 03 / 901 980 | Fax 0 73 03 / 901 981 8  
 info@wap-nilfisk-alto-shop.de

www.wap-nilfisk-alto-shop.de



Pos.	Artikel-Nr.	Menge	Variante	Notes
1	55944989	1	JOINT WATER SIP	
2	55944985	2	CARBON BRUSHES KIT 4 PCS F BRUSH MTRCARBON BRUSHES KIT 4 PCS	
3		1	SUPPORT BUMPER LT	[1]
4		2	ROLLER BELT TENSIONER	[2]
5	55944991	2	SIDE HOUSING FRAME KIT	
6		2	CAP BLACK	[1]
7		2	SCREW M6X20 HEX HD F/THD SS ISO4017	[1]
8		2	WASHER PLAIN M6X18 SS ISO709	[1]
9		2	SPRING WAVY ID12.3 OD17 H1.5	[1]
10		2	ROLLER BUMPER	[1]
11		2	DISTANZIALE 6,25x10x9,6	[1]
12		1	SUPPORT BUMPER RT	[1]
13		2	FRONT GUIDE-WEAR	[3]
14	910000870	1	Magnetventil 24V PKD	
15		20	SCREW M6X16 CAP HD HEX SS BLACK	[4]
16		1	TIE CABLE 2.9x130 BLACK	[5]
17		1	CLAMP 6.6X 7	[5]
18		2	WASHER PLAIN M5X15 ISO7093	[6]
19		1	JOINT T PLASTIC	[5]
20		1	HOSE PVC REINFORCED D.12.5X17 -SKEIN L=50MM	[5]
21	55944994	1	HOLD CYL DECK SIP	
22		3	SCREW 5X12 TORX BUTT FLA SELF SS BLACK	[6]
23		20	WASHER SPRING LOCK M6 DIN127-B	[4]
24	55944995	1	DUSTBINK SIP	
25		1	SUPPORT SOLENOID VALVE	[6]
26		1	HOSE PVC REINFORCED D.12.5X17 -SKEIN L=0.15M	[5]
27		2	SCREW 4X16 SELF PAN HD TORX SS BLACK	[6]
28		1	BARRIER BRACKET	[6]
29		1	PIN D.10X112	[6]
30		11	SCREW M5X16 BOTTOM HD TORX FLA SS BLACK	[7]
31	55944999	1	FRAME - ALU EXTRUSION 03 SIP	
32	55945000	2	CYL MOTOR 24V 300W 1500RPM SIP	[8]
33		2	E-RING ETW-9	[6]
34	55945001	1	FRAME - ALU EXTRUSION 04 SIP	
35		2	NUT SQUARE M8 SS BLACK	[6]
36	55945002	1	FRAME - ALU EXTRUSION 01 SIP	
37		2	SCREW M6X25 HD HEX SS	[6]
38		2	NUT LOCK HEX M5 LOW SS ISO10511	[6]
39	55945003	1	PLATE PLASTIC SIP	
40		2	SPACER D.12.5X16 H.6 GALV.	[2]
41		1	PLATE SPLASH GUARD FIXING	[9]
42		1	WASHER SPRING LOCK M5 DIN127-B	[6]
43	55945004	1	FRAME - ALU EXTRUSION 02 SIP	
44	55945005	1	RUBBER WATER CHANNEL COVER SIP	
45	55945006	2	SIDE SUPPORT BRUSH KIT	
46		18	SCREW M5X25 C/SUNK FLAT HD HEX ISO10642	[6]
47		2	REAR GUIDE-WEAR	[3]
48		2	BUSHING COLLARED	[2]
49		1	HOSE SILICONE D.4X7 -SKEIN L=0.4M	[5]
50		1	CLAMP 12/16-27	[5]
51		2	PIN	[2]
52		4	BEARING BALL 6201 2RS1	[2]
53	909 5820 000	2	Riemen BA 551	
54	55945055	1	GUARD SPLASH CYL SIP	
55	55945008	1	COVER FRAME SIP	
56	55945009	2	COVER HOUSING F BELT SIP	
57		2	SCREW M5X10 PAN HD TORX SS ISO7045	[6]
[K1]	55945010	1	ROLLER BUMPER KIT	

Pos.	Artikel-Nr.	Menge	Variante	Notes
[K2]	55945011	1	HOSES BRUSH DECK KIT	
[K3]	55945012	1	HARDWARE CYLINDRICAL DECK KIT	
[K4]	55945013	2	GUARD SPLASH CYL KIT	
[K5]	55945014	2	ROLLER BELT TENSIONER KIT	
[K6]	55944992	1	FRONT AND REAR GUIDE-WEAR	

Part Notes:

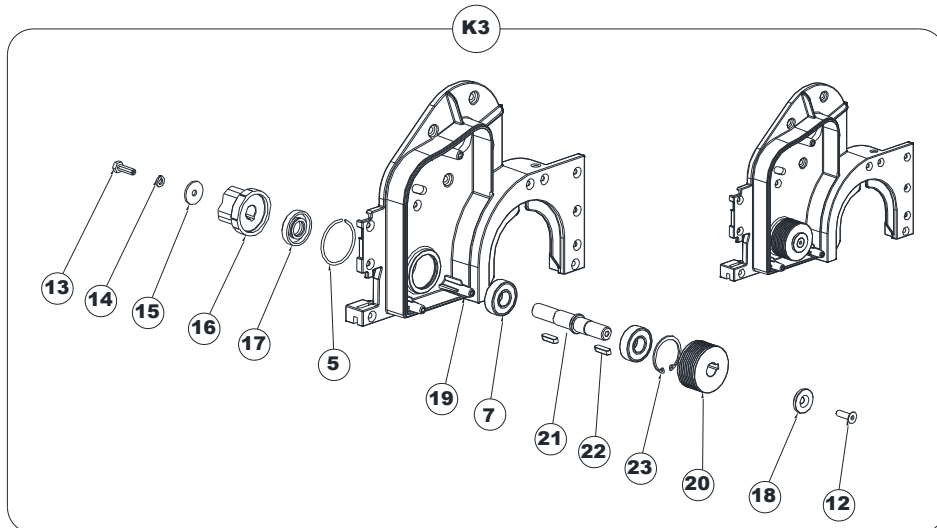
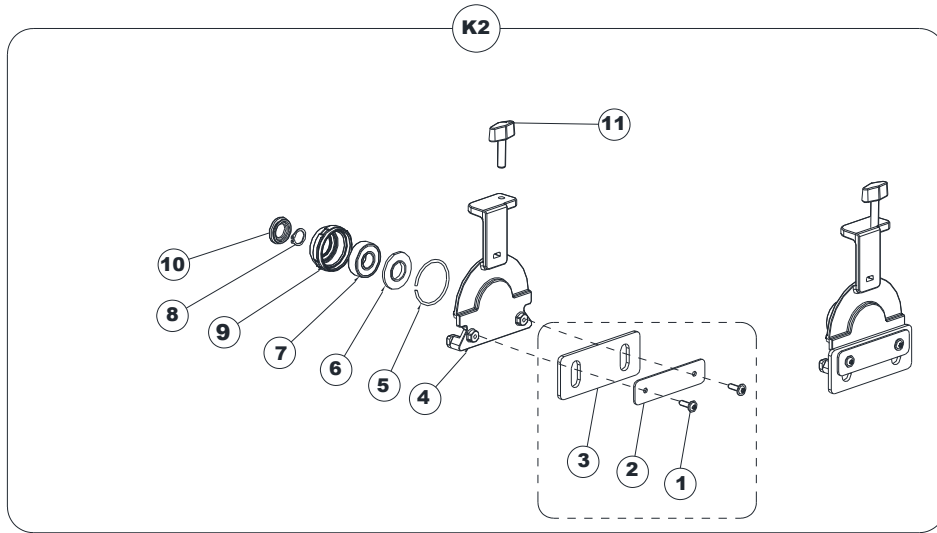
- [1] - K1
- [2] - K5
- [3] - K6
- [4] - K1/K3
- [5] - K2
- [6] - K3
- [7] - K3/K4
- [8] - FOR CYL VERSION
- [9] - K4



Hotline: 0 73 03 / 901 980

Zur Aumühle 36 | 89257 Illertissen  
 Tel.: 0 73 03 / 901 980 | Fax 0 73 03 / 901 981 8  
 info@wap-nilfisk-alto-shop.de

www.wap-nilfisk-alto-shop.de



Pos.	Artikel-Nr.	Menge	Variante	Notes
1		2	SCREW M5X16BOTTOM HD TORX FLA SS BLACK	[1]
2		1	PLATE SPLASH GUARD FIXING	[1]
3	55945055	1	GUARD SPLASH CYL SIP	[1]
4		1	SUPPORT BRUSH CYL	
5		2	SNAP RING EXTERNAL D.42MM	
6		1	SEAL F HUB PLASTIC	
7		3	BEARING BALL 6202 2RS1	
8		1	RETAINING RING STW-15	
9		1	HUB BRUSH	
10		1	CAP SEAL	
11	55945015	1	KNOB M8 SIP	
12		1	SCREW M6X20 C/SUNK FLAT HD HEX ISO10642	
13		1	SCREW M6X20 HEX HD F/THD SS ISO4017	
14		1	WASHER SPRING LOCK M6 DIN127-B	
15		1	WASHER PLAIN M6X24X2 SS ISO7093	
16		1	HUB BRUSH	
17		1	RUBBER SEAL 15MMX35MMX7MM	
18		1	SPACER D.6.5X25 H.3 GALV.	
19		1	HOUSING FRAME CYL	
20		1	PULLEY POLY-V	
21		1	SHAFT F BRUSH PULLEY D.20X98.5MM	
22		2	KEY 5X5X20 UNI6604A	
23		1	RING D 35 UNI7437	
[K1]	55945013	1	GUARD SPLASH CYL KIT	
[K2]	55945006	1	SIDE SUPPORT BRUSH KIT	
[K3]	55944991	1	SIDE HOUSING FRAME KIT	

Part Notes:

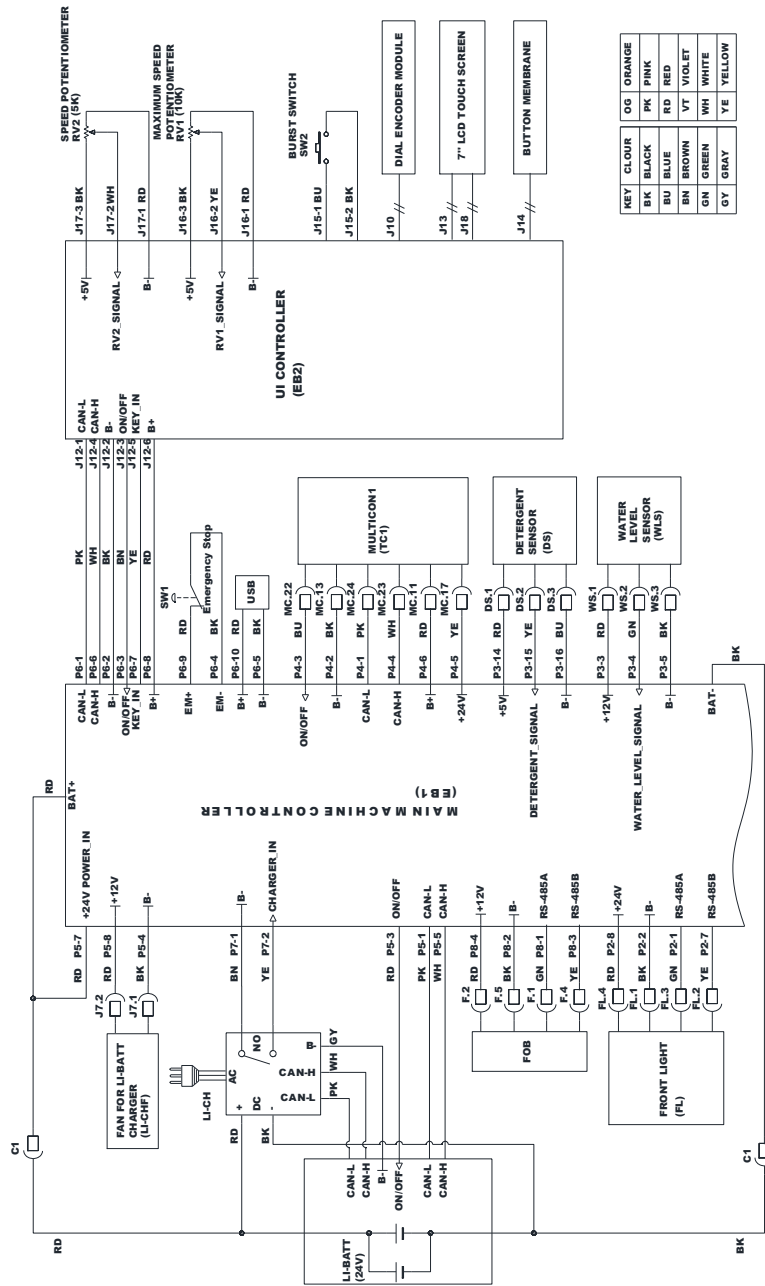
[1] - K1



Hotline: 0 73 03 / 901 980

Zur Aumühle 36 | 89257 Illertissen  
 Tel.: 0 73 03 / 901 980 | Fax 0 73 03 / 901 981 8  
 info@wap-nilfisk-alto-shop.de

www.wap-nilfisk-alto-shop.de



KEY	CLOUR	OG	ORANGE
BK	BLACK	PK	PINK
BU	BLUE	RD	RED
BN	BROWN	VT	VIOLET
GN	GREEN	WH	WHITE
GY	GRAY	YE	YELLOW

**Hotline: 0 73 03 / 901 980**

Zur Aumühle 36 | 89257 Illertissen  
 Tel.: 0 73 03 / 901 980 | Fax 0 73 03 / 901 981 8  
 info@wap-nilfisk-alto-shop.de

**ROBE**  
 Reinigungsmaschinen

**www.wap-nilfisk-alto-shop.de**

Pos.	Artikel-Nr.	Menge	Variante	Notes
LI-BAT	55945450		LI-ION BATTERY 24V 50Ah SIP	[1]
LI-CH	55945459		CHARGER 24V 27A LI-ION ACELI-ION BATTERY CHARGER 24V 27.1A SIP	[1]
LI-CHF	55945027		DC FAN SIP	[1]
LA-BAT	/		LEAD BATTERYS	[1]
LA-CH	/		LEAD BATTERYS LEAD BATTERYS CHARGER 24V 15A SIP	[1]
FOB	55945047*		FOB KIT	
FL	55944925*		FRONT LIGHT W LASER SIP	
	55944926*		FRONT LIGHT SIP	
EB1	55945017		MAIN MACHINE CONTROLLER SIP	
EB2	55944963		UI MODUL SIP	[2]
TC1	55945049*		CONNECTIVITY KIT TC1 SC550	
DS	55943461*		DETERGENT LEVEL SENSOR SIP	
WLS	55944909		SENSOR WATER LEVEL SIP	
RV1	55944968		PADDLE F SPEED CONTROL DIAL KIT	[3]
RV2	910000837		POTENTIOMETER 5K PKD POTENTIOMETER 5K SIP	[4]
SW1	55944966		SWITCH EMERGENCY KIT	
SW2	55944969		PADDLE F BURST OF POWER BUTTON KIT	[5]
	9100001860		MOTOR ELECTRIC 350W 24V SIP	[6]
M3	910000874		BÜRSTENMOTOR 450W 24V PKD	[7]
	55944983		REDUCTION GEAR MOTOR 450W 24V SIP	[8]
	55945000		CYL MOTOR 24V 300W 1500RPM SIP	[9]
M4	55944983		REDUCTION GEAR MOTOR 450W 24V SIP	[8]
	55945000		CYL MOTOR 24V 300W 1500RPM SIP	[9]
M1	55944938		TRACTION MOTOR 24V 200W KIT	
M2	55944934		VACUUM MOTOR BLDC 24V 350W SIP	
M5	9100002398*		PUMP DETERG. MIX PERISTALTIC 24V SIP	
	55944945		ACTUATOR 24V 550N 105MM SIP	[10]
M6	910000805		HEBEMOTOR DECK 24V DC STRK 120MM PKD	[7]
	910000806		ACTUATOR LINEAR 24V DC STRK 98MM SIP	[6]
M7	55944956		SOLUTION PUMP 24V 3.8L/MIN 40PSI SIP	
EV1	910000870		Magnetventil 24V PKD	
BK1	55944939		ELECTROMAGNETIC BRAKE SIP	
USB	55944967		USB PORT SIP	
DIAL ENCODER MODULE	55944963		UI MODUL SIP	
BUTTON MEMBRANE	55944963		UI MODUL SIP	
"7" LCD TOUCH				
SCREEN"	55944963		UI MODUL SIP	

## Part Notes:

- [1] - LI-ION BATTERY SYSTEM
- [2] - UI CONTROLLER
- [3] - SLIGHT SPEED POTENTIOMETER
- [4] - SPEED POTENTIOMETER
- [5] - BURST OF POWER BUTTON
- [6] - FOR REV VERSION
- [7] - FOR SINGLE DISC VERSION
- [8] - FOR DUAL DISC VERSION
- [9] - FOR CYL VERSION
- [10] - FOR DUAL DISC AND CYL

## RECOMMENDED SPARE PARTS

Resource notes:

FOR 29 INCH SQUEEGEE SYSTEM

Pos.	Artikel-Nr.	Menge	Variante	Notes
			NORMAL WEAR	
	9100000829	1	BAND ELASTIC F EXTENSION CABLE PKD	
	9100000810	1	Saugluppen-Set, Gummi, 700 mm, 28BLADE SQUEEGEE 730MM 29 GUM KIT	
	9100000490	1	Saugluppen-Set PU Gummi, 740 mm, 29"BLADE SQUEEGEE 730MM 29 PU KIT	
	9100000060	1	Saugluppen-Set 730 mm, 29", rotBLADE SQUEEGEE 730MM 29 RED GUM KIT	
	55944456	1	BLADE SQUEEGEE 730MM 29 LINATEX KIT	
	55941295	1	BLADE SQUEEGEE 810MM 32 GUM KIT	
	55941296	1	BLADE SQUEEGEE 810MM 32 PU KIT	
	55941297	1	BLADE SQUEEGEE 810MM 32 RED GUM KIT	
	55944455	1	BLADE SQUEEGEE 810MM 32 LINATEX KIT	
	55945055	1	GUARD SPLASH CYL SIP	
	55944940	1	CARBON BRUSHES KIT 4 PCS F DR MTRCARBON BRUSHES KIT 4 PCS	
	9098376000	1	CARBON BRUSHES KIT 4 PCSCARBON BRUSHES KIT 4 PCS	
	9100001283	1	CARBON BRUSHES W/HOLDER SIP	
	L08603949	1	Kohlenbürsten Kit 4pcsCARBON BRUSHES SET 4 PCS	
	55944985	2	CARBON BRUSHES KIT 4 PCS F BRUSH MTRCARBON BRUSHES KIT 4 PCS	
			ORDINARY MAINTENANCE	
	55944992	1	FRONT AND REAR GUIDE-WEAR	
	909 5820 000	2	Riemen BA 551	
	55945023	1	CABLE SAFETY F TANK KIT	
	55944932	1	HOSE DRAIN BLACK SIP	
	9100000889	1	CLIP HOSE STOPPING 2 PCS SET	
	55944931	1	HOSE SUCTION SQUEEGEE 90 BLACK SIP	
	55944930	1	MOTOR VACUUM KIT	
	9100000819	1	Tank-Dichtung	
	55944934	1	VACUUM MOTOR BLDC 24V 350W SIP	
	55944936	1	GASKETS AND HARDWARE KIT	
	55944938	1	TRACTION MOTOR 24V 200W KIT	
	9100002455	2	WHEEL TRACTION D.200X50 BLACK/GREY SIP	
	9100000902	2	BEARING FLANGE IGLIDUR 2 PCS SET	
	9100000856	1	Lenkräder hi. 2 PCS SETWHEEL PIVOTING 2 PCS SET	
	9100002396	1	SLEEVE RUBBER BLACK F SUCTION HOSE SIP	
	9100000903	1	U-Scheibe GTM 3254-015 PKD	
	55944955	1	HOSES SOLUTION KIT	
	9100000861	1	NET WATER FILTER REINFORCED PKD	
	9100000559	3	Rad grau D.51	
	9100000864	1	STRAP ELASTIC F REAR SQUEEGEE BLADE PKDSTRAP ELASTIC F REAR SQUEEGEE BL. SIP	
	55944980	1	STRAP F REAR SQUEEGEE BLADE SIP	
	9100000865	1	STRAP FRONT SQUEEGEE BLADE PKDSTRAP FRONT SQUEEGEE BLADE SIP	
	55944978	1	STRAP F FRONT SQUEEGEE BLADE SIP	
	9100001816	1	WHEEL BUMPER D.100 PLASTIC 2 PCS SET	
	9100000797	1	HOSES BRUSH DECK KIT	
	9100000870	1	Magnetventil 24V PKD	
	9100000871	1	Polygonaufnahme	
	9100000874	1	BÜRSTENMOTOR 450W 24V PKD	[1]
	9100001860	1	MOTOR ELECTRIC 350W 24V SIP	[2]
	55944983	2	REDUCTION GEARMOTOR 450W 24V SIPREDUCTION GEAR MOTOR 450W 24V SIP	[3]
	55945000	2	CYL MOTOR 24V 300W 1500RPM SIP	[4]
	55944913	1	GASKETS COVER KIT	
	9100000798	1	GASKETS COVER KIT	
			EXTRA ORDINARY MAINTENANCE	
	9100000803	1	HAHN	
	55944908	1	HOSE FRESH WATER LEV. W/CAP KIT	
	909 6380 000	1	Schlauchklammer BR 601BR 751	

**Hotline: 0 73 03 / 901 980**



Zur Aumühle 36 | 89257 Illertissen  
 Tel.: 0 73 03 / 901 980 | Fax 0 73 03 / 901 981 8  
 info@wap-nilfisk-alto-shop.de

**www.wap-nilfisk-alto-shop.de**

Pos.	Artikel-Nr.	Menge	Variante	Notes
	55944920	1	COVER INLET KIT	
	910000805	1	HEBEMOTOR DECK 24V DC STRK 120MM PKD	[1]
	910000806	1	ACTUATOR LINEAR 24V DC STRK 98MM SIP	[2]
	55944945	1	ACTUATOR 24V 550N 105MM SIP	[5]
	55944917	1	HOSE FILLING SIP	
	55944935	1	HARNES VACUUM MOTOR SIP	
	9100001875	1	SUPPORT FLOAT KIT	
	9100000837	1	POTENTIOMETER 5K PKDPOTENTIOMETER 5K SIP	[6]
	55944968	1	PADDLE F SPEED CONTROL DIAL KIT	[7]
	55944969	1	PADDLE F BURST OF POWER BUTTON KIT	[8]
	55944963	1	UI MODUL SIP	
	55945018	1	HARNES UI BOARD CONNECTION SIP	
	55944960	1	FILTER KIT	
	9100000747	1	SQUEEGEE 730MM/29 PRE-ASSEMBLED PKDSQUEEGEE 730MM/29 PRE-ASSEMBLED SIP	
	55944979	1	SQUEEGEE 810MM/32 PRE-ASSEMBLED SIP	
	9100000868	1	Silent Bloc M8 60SH 2 PCS SET	
	56382991	1	KIT-ISOLATOR BOOST HD	
	9100000873	1	DECK BRUSH PKDDECK BRUSH SIP	[9]
	55945017	1	MAIN MACHINE CONTROLLER SIP	
	55945019	1	HARNES MAIN CONNECTION SIP	[5]
	55945020	1	HARNES MAIN SINGLE N REV SIP	[10]
	55945027	1	DC FAN SIP	[11]
	55945459	1	CHARGER 24V 27A LI-ION ACECHARGER 24V 27A SIP	[11]
	55944956	1	SOLUTION PUMP 24V 3.8L/MIN 40PSI SIP	
	9100002398	1	Chemiepumpe 24V SIP	
	55943461	1	DETERGENT LEVEL SENSORDETERGENT LEVEL SENSOR SIP	
	55944909	1	SENSOR WATER LEVEL SIP	
	55944939	1	ELECTROMAGNETIC BRAKE SIP	
	55944937	1	COVER WHEEL 2 PCS SET	
	55944966	1	SWITCH EMERGENCY KIT	
	55944967	1	USB PORT SIP	
	55945005	1	RUBBER WATER CHANNEL COVER SIP	
	55944933	1	TRAY DEBRIS KIT	
	55944922	1	RUBBER FRONT PANEL SIP	
			ACCESSORIES/OPTIONAL	
	55944915	1	STANDARD FILLING KITSTANDARD FILLING KIT	
	55944918	1	ADVANCED FILLING KITADVANCED FILLING KIT	
	55944917	1	HOSE FILLING SIP	
	55945047	1	FOB KIT	
	55945048	1	KEY FOB SIP	
	55945049	1	CONNECTIVITY KIT TC1 SC550	
	909 5065 000	1	Filter antischaum	
	55944925	1	FRONT LIGHT W LASER SIPFRONT LIGHT W LASER KIT	
	55944926	1	FRONT LIGHT SIPFRONT LIGHT KIT	
	55944976	1	SQUEEGEE 730MM/29 KIT	[12]
	55945119	1	SQUEEGEE 730MM/29 LN KIT	[13]
	55944981	1	SQUEEGEE 810MM/32 KIT	[12]
	55945118	1	SQUEEGEE 810MM/32 LN KIT	[13]
	9100000810	1	Sauglippen-Set, Gummi, 700 mm, 28BLADE SQUEEGEE 730MM 29 GUM KIT	
	9100000490	1	Sauglippen-Set PU Gummi, 740 mm, 29"BLADE SQUEEGEE 730MM 29 PU KIT	
	9100000060	1	Sauglippen-Set 730 mm, 29", rotBLADE SQUEEGEE 730MM 29 RED GUM KIT	
	55944456	1	BLADE SQUEEGEE 730MM 29 LINATEX KIT	
	55941295	1	BLADE SQUEEGEE 810MM 32 GUM KIT	
	55941296	1	BLADE SQUEEGEE 810MM 32 PU KIT	
	55941297	1	BLADE SQUEEGEE 810MM 32 RED GUM KIT	
	55944455	1	BLADE SQUEEGEE 810MM 32 LINATEX KIT	

**Hotline: 0 73 03 / 901 980**



Zur Aumühle 36 | 89257 Illertissen  
 Tel.: 0 73 03 / 901 980 | Fax 0 73 03 / 901 981 8  
 info@wap-nilfisk-alto-shop.de

**www.wap-nilfisk-alto-shop.de**

Pos.	Artikel-Nr.	Menge	Variante	Notes
	55945043	1	ECOFLEX DETERGENT KIT SC550	
	9098025000	1	Reduzierstück f.ADAPTER DETERGENT KIT	
	9100001441	1	Spritzschutz komplettSPLASH GUARD 510MM 20 KIT	
	55945045	1	SPLASH GUARD F DUAL DECK 24IN KIT	
	9100002280	1	Mophalter, Zubehörkorb	[14]
	55945046	1	CADDY KIT	
	55944552	1	SCREEN PROTECTOR	
	55945033	1	BATTERY FIX AND HARNESS KIT (24V 64Ah)	[15]
	9100003110	1	Batterie Lilon 24V UPGRADE KITLITHIUM ION EXPANSION KIT (24V 64Ah)	[16]
	55945037	1	BBAATTERY FIX AND HARNESS KIT (24V 50Ah)	[15]
	55945038	1	LITHIUM ION EXPANSION KIT	[16]
	L08837025	1	Bürste PPN mittel, 530 mmBRUSH DISC 530MM 21 PROLENE	
	L08837026	1	Bürste PPN weich, 530 mmBRUSH DISC 530MM 21 PROLITE	
	L08837027	1	Bürste Union Mix, 530 mm	
	L08837028	1	Bürste Mid Grit 180, 530 mmBRUSH DISC 530MM 21 MIDLITE GRIT 180	
	L08837029	1	Bürste Sica Mid Grit 240, 530mm	
	L08837065	1	Bürste Magna Grit 46, 530 mm	
	L08837066	1	Bürste Dyna Grit 80, 530 mm	
	L08837067	1	Schleifkornbürste 21" AGLiteGrit 500	
	L08837018	1	Padhalter m. Padverschluß, 530 mmPAD HOLDER 530MM	
	9099671000	1	Padhalter Ø 508 mm, 20"	
	10001955	1	Eco Pad 20", Ø 508 mm, schwarz, VPE 5PAD 20 508MM ECO BLACK 5PCS	
	10001956	1	Eco Pad 20", Ø 508 mm, blau, VPE 5PAD 20 508MM ECO BLUE 5PCS	
	10001958	1	Eco Pad 20", Ø 508 mm, grün, VPE 5PAD 20 508MM ECO GREEN 5PCS	
	10001959	1	Eco Pad 20", Ø 508 mm, rot, VPE 5PAD 20 508MM ECO RED 5PCS	
	10001960	1	Eco Pad 20", Ø 508 mm, weiß, VPE 5PAD 20 508MM ECO WHITE 5PCS	
	10002348	1	Eco Brill. Pad 20", Ø 508 mm, rot, VPE 2	
	10002349	1	Eco Brill. Pad 20", Ø 508 mm, blau, VPE	
	10002350	1	Eco Brill. Pad 20", Ø 508 mm, gelb, VPEPAD 20 508MM ECO BRILL. YELLOW 2PCS	
	10002351	1	Eco Brill. Pad 20",Ø508mm, grün/VPE 2 PC	
	56390008	1	BRUSH NYLON REV	
	56390079	1	PAD MICRO FIBERMICROFIBER PAD	
	L08603842	2	Bürste Prolene, mittel, 305 mm, 12 "BRUSH PROLENE	
	L08603873	2	Bürste Mid Grit 240, 305 mm, 12"BRUSH MIDGRIT 240	
	L08603872	2	Bürste Mid Grit 180, 305 mm, 12"BRUSH MIDLITE GRIT 180	
	L08603874	2	Bürste Prolite, 305 mm, 12 "BRUSH PROLITE	
	L08603875	2	Bürste Union Mix, 305 mm, 12"BRUSH UNION MIX	
	L08603939	2	Padhalter 305 mm, 12"PAD HOLDER KIT	
	9099670000	2	Padhalter Ø 305 mm, 12"	
	10001908	2	Eco Pad 12", Ø 305 mm, rot, VPE 5PAD 12 305MM ECO RED 5PCS	
	909 5823 000	2	Walzenbürste PP 0,4	
	909 5824 000	2	Walzenbürste PP 0,45	
	909 5825 000	2	Walzenbürste abrasiv, PP 0,6	
	9100000787	1	CABLE EXTENSION EU PLUG L.2000 PKDCABLE EXTENSION EU PLUG L.2000 SIP	[17]
	1466318000	1	CABLE EXTENSION UK PLUG L.2000MM SIP	[17]
	9100000890	1	CABLE EXTENSION US PLUG L.2000MM SIP	

Part Notes:

- [1] - FOR SINGLE DISC VERSION
- [2] - FOR REV VERSION
- [3] - FOR DUAL DISC VERSION
- [4] - FOR CYL VERSION
- [5] - FOR DUAL DISC AND CYL
- [6] - SPEED POTENTIOMETER
- [7] - SLIGHT SPEED POTENTIOMETER
- [8] - BURST OF POWER BUTTON



Hotline: 0 73 03 / 901 980

Zur Aumühle 36 | 89257 Illertissen  
 Tel.: 0 73 03 / 901 980 | Fax 0 73 03 / 901 981 8  
 info@wap-nilfisk-alto-shop.de

www.wap-nilfisk-alto-shop.de

- [9] - K3
- [10] - FOR SINGLE DISC AND REV
- [11] - LI-ION BATTERY SYSTEM
- [12] - WITH GUM BLADE
- [13] - WITH LINATEX BLADE
- [14] - IS\_9100002279\_FOR KIT 9100002280  
IS\_9100002279\_FOR KIT 9100002280
- [15] - KIT DOES NOT INCLUDES BATTERY
- [16] - KIT INCLUDES 1 BATTERY
- [17] - FOR EU/UK MACHINE

**Hotline: 0 73 03 / 901 980**

**ROBE**  
Reinigungsmaschinen

Zur Aumühle 36 | 89257 Illertissen  
Tel.: 0 73 03 / 901 980 | Fax 0 73 03 / 901 981 8  
info@wap-nilfisk-alto-shop.de

**www.wap-nilfisk-alto-shop.de**



**Hotline: 0 73 03 / 901 980**

Zur Aumühle 36 | 89257 Illertissen  
Tel.: 0 73 03 / 901 980 | Fax 0 73 03 / 901 981 8  
info@wap-nilfisk-alto-shop.de

**[www.wap-nilfisk-alto-shop.de](http://www.wap-nilfisk-alto-shop.de)**