

# ATTIX 50 PC, XC, EC, Clean Room

Model:  
ATTIX 50-01 PC  
ATTIX 50-21 XC  
ATTIX 50-21-PC



Stückliste Deutsch

13-01-2011

**Nilfisk  
ALTO**  
*Why Compromise*

**ROBE**  
Reinigungsmaschinen

**Hotline: 08337 - 75301**

Moltkestraße 13 | 89281 Altenstadt-Illereichen  
Tel.: 0 83 37 / 75 301 | Fax 0 83 37 / 75 303  
info@wap-nilfisk-alto-shop.de

**[www.wap-nilfisk-alto-shop.de](http://www.wap-nilfisk-alto-shop.de)**

# Inhalt

ATTIX 50 PC, XC, EC, Clean Room

<b>Gehäuse PC, Basic, XC</b>	<b>3</b>
<b>EC und Clean Room Gehäuse</b>	<b>6</b>
<b>Filtersystem PC &amp; Basic</b>	<b>8</b>
<b>Filtersystem XC</b>	<b>10</b>
<b>Motor, Basic und PC</b>	<b>12</b>
<b>Motor XC</b>	<b>14</b>
<b>EC und Clean Room Motor</b>	<b>16</b>
<b>Behälter ATTIX 50</b>	<b>18</b>
<b>Zubehör/ Sonstiges</b>	<b>20</b>
<b>EMPFOHLENE ERSATZTEILE</b>	<b>22</b>

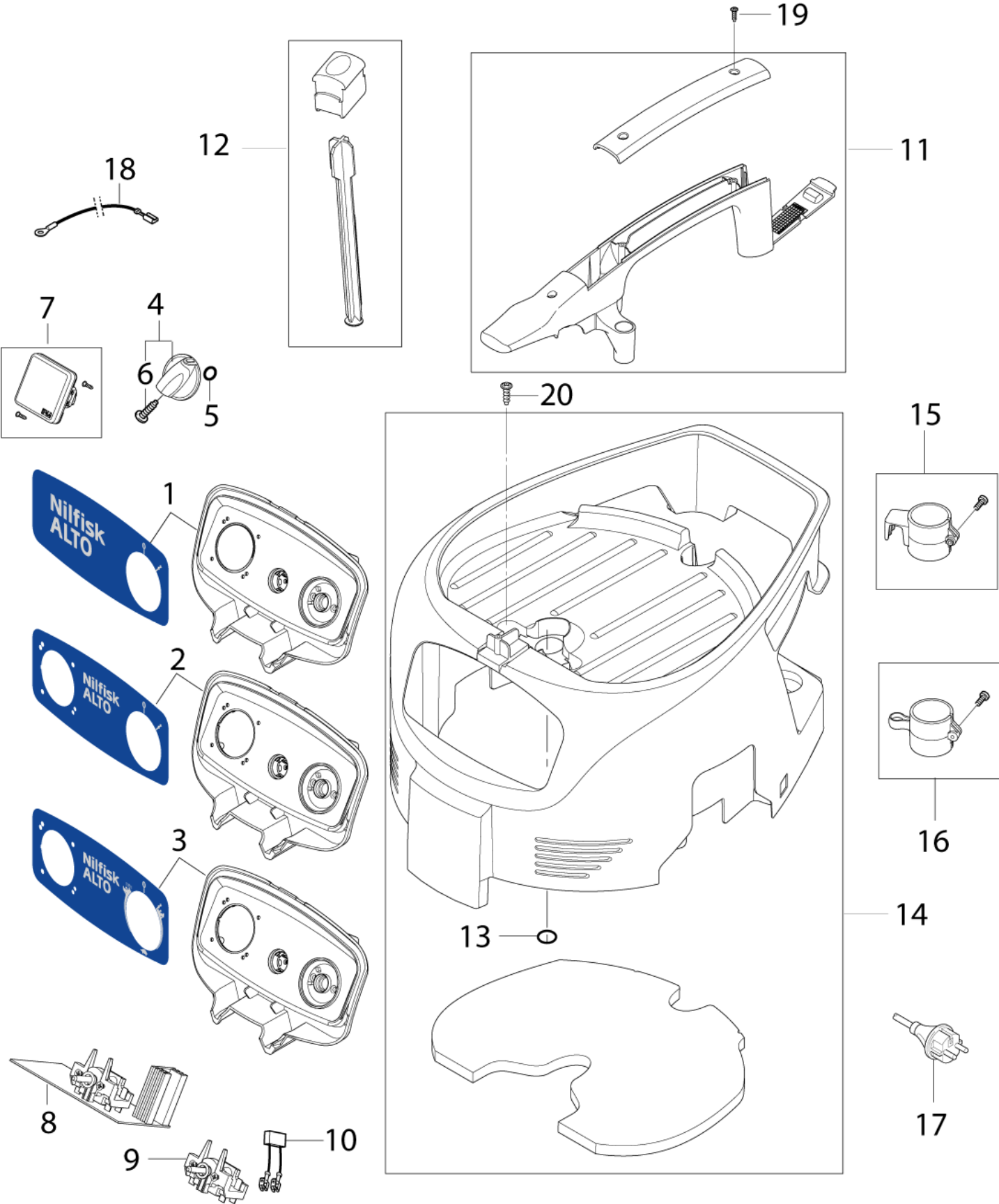
# Gehäuse PC, Basic, XC

ATTIX 50 PC, XC, EC, Clean Room

13-01-2011

ET-Liste-Nr.  
ATTIX3002

3



# Gehäuse PC, Basic, XC

ATTIX 50 PC, XC, EC, Clean Room

13-01-2011

ET-Liste-Nr.  
ATTIX3002

4

Pos	Artikelnr.	Me	Beschreibung	EAN
0	302003502	1	BOX KIT ATTIX 30	4005337140
0	302003503	1	BOX KIT ATTIX 40	4005337140
1	302004047	1	SCHALTKASTEN NILFISK-ALTO 01PC	4005337148
2	302004048	1	SCHALTKASTEN NILFISK-ALTO 11PC	4005337148
3	302004049	1	SCHALTKASTEN NILFISK-ALTO 21PC for Push clean and XC	4005337148
4	909100204	1	DREHKNOPF 6X5	4005337689
5	9868	1	O-RING 10X2,5	4005337098
6	32526	1	SCHRAUBE BL- 2,9X19 B DIN 7973 ZN	4005337325
7	107400057	1	STECKDOSE 16A/110V GB	4005337148
7	107400058	1	STECKDOSE 25A/110V GB	4005337148
7	107400059	1	STECKDOSE 16A/250V CH	4005337148
7	107400060	1	STECKDOSE 16A/250V DK	4005337148
7	302004034	1	STECKDOSE 16A/250V EU	4005337147
7	302004036	1	STECKDOSE 16A/250V FR	4005337147
7	302004338	1	SOCKET 15A/125V US/CSA	7319519675
8	107400260	1	ELEKTRONIK ATTIX 30,50 XC 230 V 230-240V	4005337152
8	107400261	1	ELEKTRONIK ATTIX 30,50 XC 115 V 100-120V	4005337152
8	302004011	1	AUTO ON-OFF SWITCH ELEKTR ONIK for -21 PC	4005337147
8	302004060	1	EIN AUS SCHALTER SOFTSTAR for -11 PC & -01 PC with softstart	4005337148
9	302004035	1	EIN AUS SCHALTER for -01 PC without softstart	4005337147
10	48338	1	ENTSTÖRKONDENSATOR 0,22Æ F	4005337483
11	107400062	1	GRIFF ATTIX 30 40 50 PC for Push clean	4005337148
11	302004050	1	GRIFF Basic/XC	4005337148
12	302004051	1	FILTER ENTSTAUBER Only Push Clean models	4005337148
13	302004061	1	O-RING 25X2 NBR 70	4005337148
14	107400061	1	ABDECKUNG SCHWARZ BASIC X C	4005337148
14	302004046	1	ABDECKUNG SCHWARZ PC	4005337148
15	302004027	1	ROHRHALTER HAKEN	4005337147
16	107400064	1	ROHRHALTER	4005337148
17	107400265	1	CORD H05RR-F 3G1.5 DK	4005337153
17	107400266	1	NETZLEITUNG H05RR-F 2X075	4005337153
17	107400267	1	CORD H05RR-F 3G1.0 CH	4005337153
17	107400268	1	CORD H05RR-F 2X0.75 GB	4005337153
17	107400270	1	CORD H05RR-F 3G1.5 BS1 363 GB	4005337153
17	107400271	1	CORD H07BQ-F 3G2.5 GB	4005337153
17	107400272	1	CORD H05RR-F 3G1.5 ZA	4005337153
17	107400273	1	CORD H05RR-F 2X0.75 EU	4005337153
17	302000882	1	POWER CORD SJTW-AWG16/3X8	4005337030
17	302004014	1	NETZKABEL H07RN-F2X1X8.05 CEE7 EU	4005337147
17	302004037	1	NETZKABEL H05RR-F 3G1.5 C EE7/VII EU	4005337147
17	302004038	1	NETZKABEL H07RN-F2X1X8.05	4005337147
17	302004039	1	NETZKABEL H05RR-F3GX0.75A S3112 AUNZ	4005337147

# Gehäuse PC, Basic, XC

ATTIX 50 PC, XC, EC, Clean Room

13-01-2011

ET-Liste-Nr.  
ATTIX3002

5

Pos	Artikelnr.	Me	Beschreibung	EAN
17	302004040	1	NETZKABEL SJTW-A AWG16/2 JP	4005337148
18	107400263	1	WIRE 2.5 X 250 YE/GR 100 - 120 V	4005337153
18	107400264	1	WIRE 1 X 150 220-240V	4005337153
19	302004032	1	SCHRAUBE 3.5X18	4005337147
20	302004029	1	SCHRAUBE 5X18	4005337147

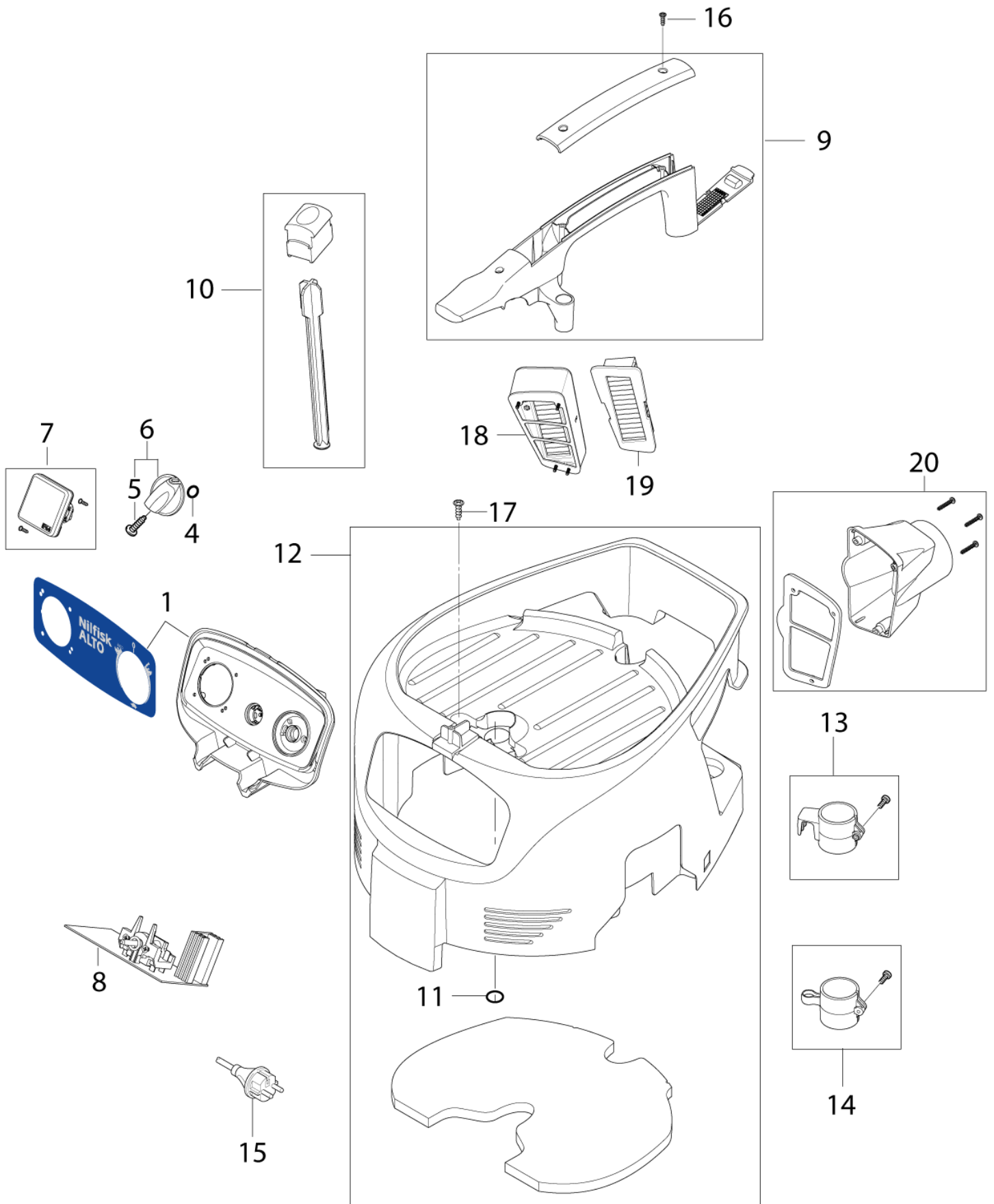
# EC und Clean Room Gehäuse

ATTIX 50 PC, XC, EC, Clean Room

13-01-2011

ET-Liste-Nr.  
ATTIX5012

6



# EC und Clean Room Gehäuse

ATTIX 50 PC, XC, EC, Clean Room

13-01-2011

ET-Liste-Nr.  
ATTIX5012

7

Pos	Artikelnr.	Me	Beschreibung	EAN
1	302004049	1	SCHALTKASTEN NILFISK-ALTO 21PC	4005337148
4	9868	1	O-RING 10X2,5	4005337098
5	32526	1	SCHRAUBE BL- 2,9X19 B DIN 7973 ZN	4005337325
6	909100204	1	DREHKNOPF 6X5	4005337689
7	302004034	1	STECKDOSE 16A/250V EU	4005337147
8	107400730	1	ELECTRONICS 21 PC EC 230V	7319519674
9	107400062	1	GRIFF ATTIX 30 40 50 PC	4005337148
10	302004051	1	FILTER ENTSTAUBER	4005337148
11	302004061	1	O-RING 25X2 NBR 70	4005337148
12	302004046	1	ABDECKUNG SCHWARZ PC	4005337148
13	302004027	1	ROHRHALTER HAKEN	4005337147
14	107400064	1	ROHRHALTER	4005337148
15	302004037	1	NETZKABEL H05RR-F 3G1.5 C EE7/VI EU	4005337147
16	302004032	1	SCHRAUBE 3.5X18	4005337147
17	302004029	1	SCHRAUBE 5X18	4005337147
18	302003721	1	FILTER F. MOTORKÜHLUNG	Only Clean Room 4005337159
19	107400453	1	FILTER F. MOTORKÜHLUNG	Only Clean Room
20	302003717	1	BLASADAPTER	Only Clean Room 4005337144

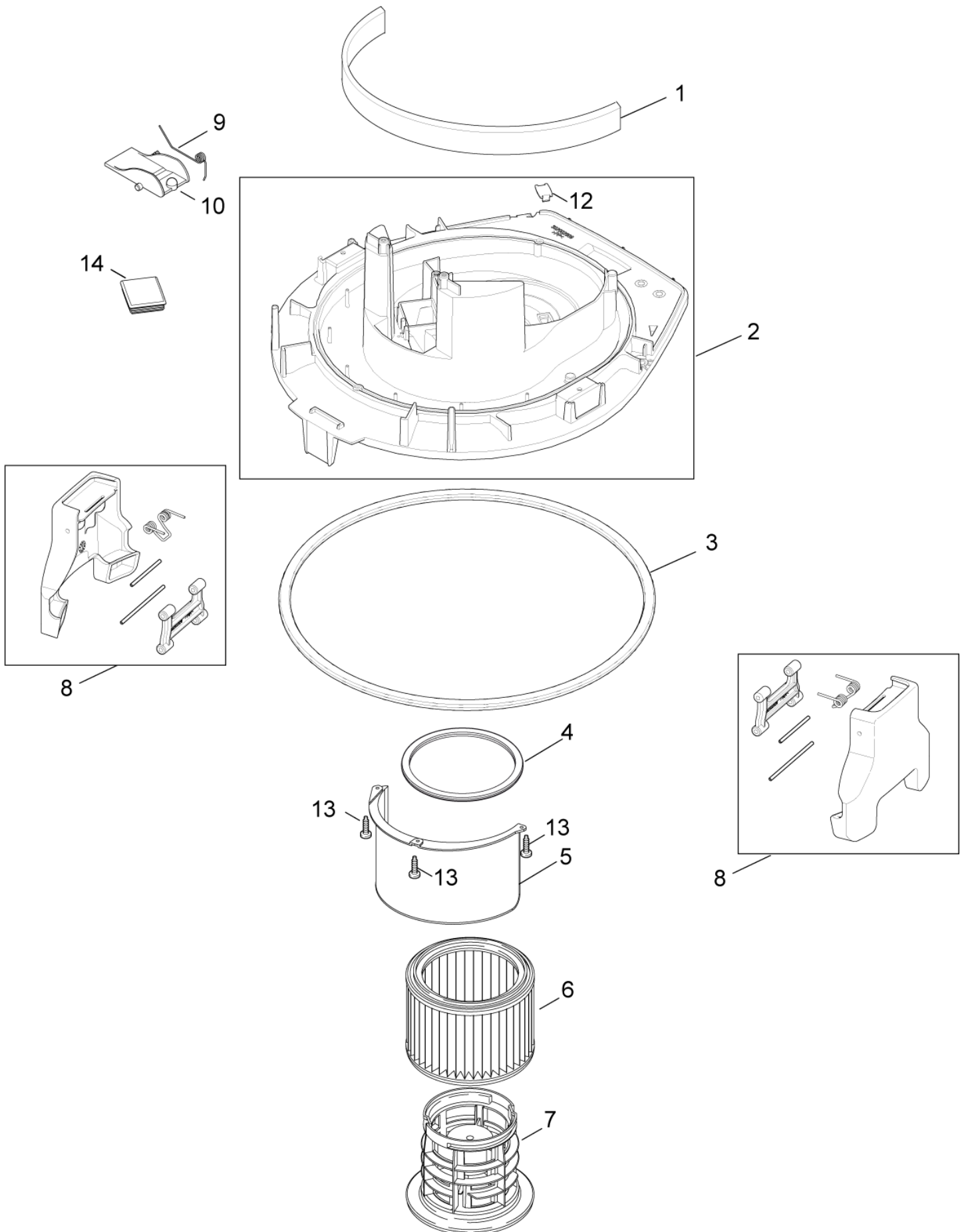
# Filtersystem PC & Basic

ATTIX 50 PC, XC, EC, Clean Room

13-01-2011

ET-Liste-Nr.  
ATTIX3003

8





# Filtersystem PC & Basic

ATTIX 50 PC, XC, EC, Clean Room

13-01-2011

ET-Liste-Nr.  
ATTIX3003

9

Pos	Artikelnr.	Me	Beschreibung	EAN
1	302004010	1	GERÄUSCHDÄMMUNG VORNE	4005337147
2	302004007	1	SPANNPLATTE PC	4005337147
3	107400056	1	GASKET FOR CONTAINER	ATTIX 50 4005337148
3	302004008	1	GUMMIDICHTUNG ATTIX 30	ATTIX 30 4005337147
4	302000460	1	DICHTUNG FILTER	4005337136
5	302004016	1	DEFLECTOR	4005337147
6	302000490	1	FILTERELEMENT "L+M" D 1 85X140 (ERS. F.302000461)	4005337682
6	302001095	1	FILTERELEMENT D185X140 H	HEPA 4005337035
7	302000472	1	FILTERSTÜTZKORB	4005337682
8	107400301	2	CONTAINER CLAMP	* SEE NOTE 7319519674
9	909100083	1	DREHFEDER 0,9X18X45	4005337679
10	302000344	1	KLAPPE F.ABREINIGUNG 79X 53X25	4005337674
12	107401937	1	PLUG BASE PLATE KIT	7319519678
13	302004029	1	SCHRAUBE 5X18	4005337147
14	302004058	1	ABDICHTUNG FÜR BASIC	4005337148

\* NOTE TSB Vac-092 clamp and container

For machines produced before serial number 09110030030 use Container upgrade kit 107400311, ATTIX 30 or 107400312, ATTIX 50

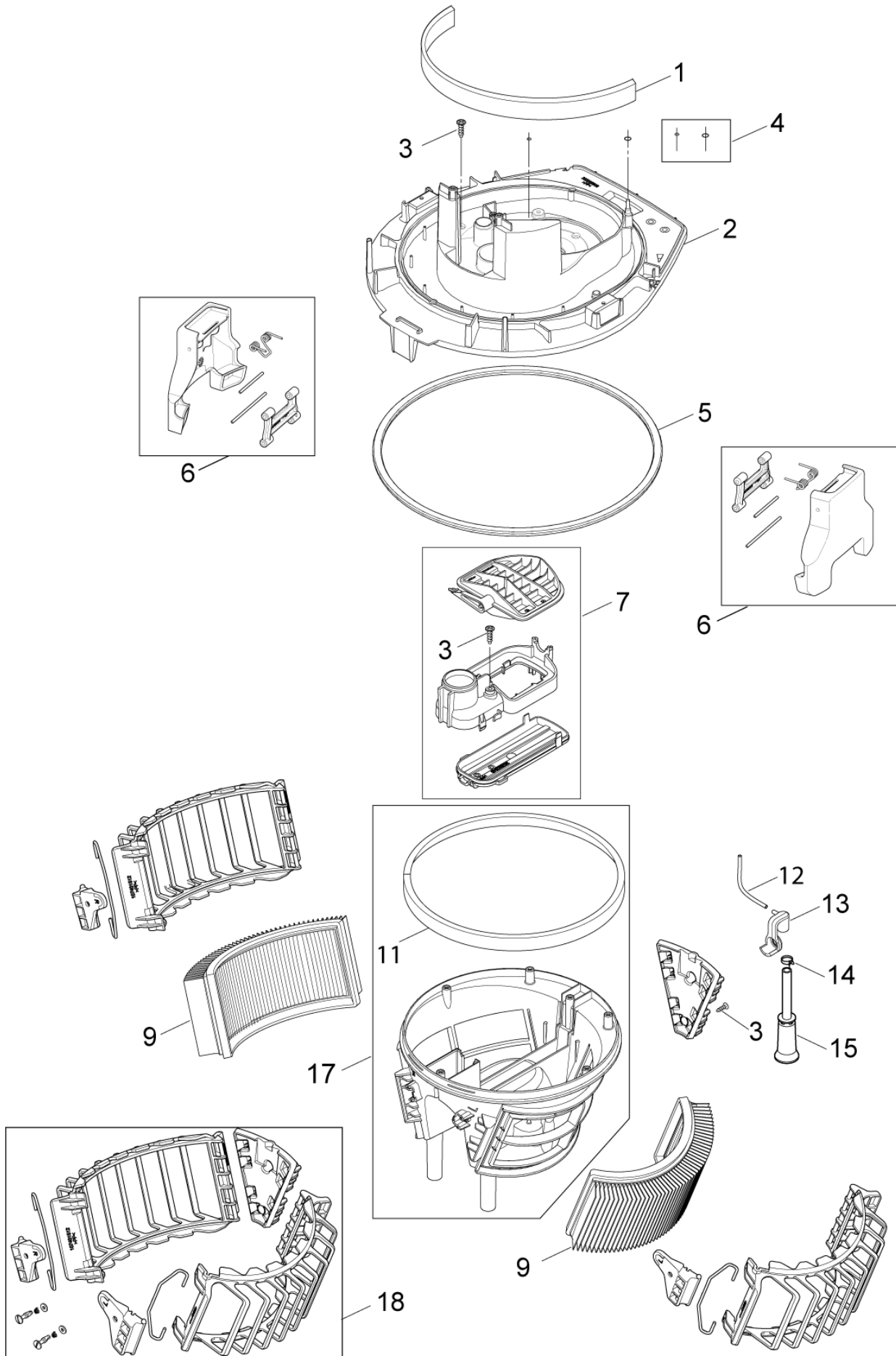
# Filtersystem XC

ATTIX 50 PC, XC, EC, Clean Room

13-01-2011

ET-Liste-Nr.  
ATTIX50XC10

10



# Filtersystem XC

ATTIX 50 PC, XC, EC, Clean Room

13-01-2011

ET-Liste-Nr.  
ATTIX50XC10

11

Pos	Artikelnr.	Me	Beschreibung	EAN
1	302004010	1	GERÄUSCHDÄMMUNG VORNE	4005337147
2	107400300	1	BASEPLATE XC	7319519674
3	302004029	9	SCHRAUBE 5X18	4005337147
4	107400274	1	O-RING XC KIT	4005337153
5	107400056	1	GASKET FOR CONTAINER	4005337148
6	107400301	2	CONTAINER CLAMP	7319519674
7	107400277	1	DECKEL FÜR ATTIX 50-21 XC	4005337153
8		1	FILTERKLAMMERN-KIT-1 XC L INKS	7319519675
9	302002842	2	FLACHFILTER 2 STÜCK	5715492039
10		1	FILTER CLAMP XC RIGHT KIT	7319519674
11	107400283	1	SEALING FOR XC	4005337153
12	107400855	1	HOSE D3X1.5 TURBINE SIDE XC	7319519674
13	107400310	1	MOUNT FOR WATERLEVEL	7319519675
14	107400285	1	DRAHTKLEMME	4005337153
15	107400303	1	HOSE D42X155 FILL LEV. SH	7319519674
16		1	FILTERBRACKET PLATE XC	4005337153
17	107400302	1	FILTERBRACKET XC	7319519674
18	107402255	1	FILTER MOUNTING KIT XC	7319519680

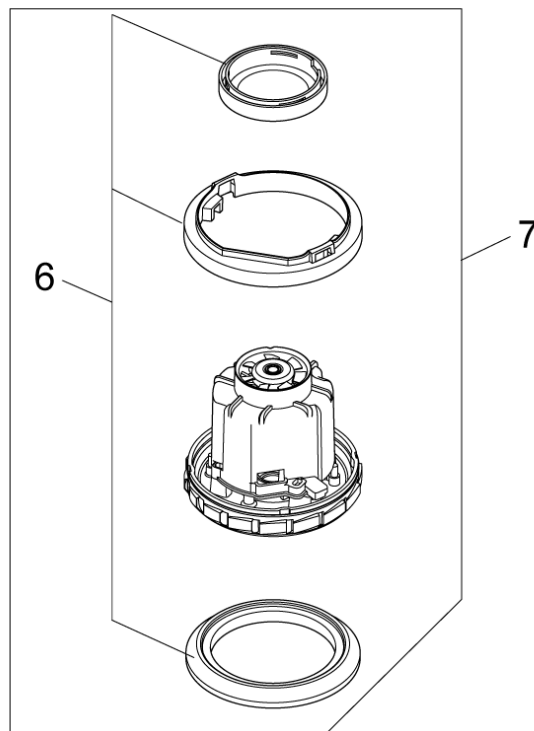
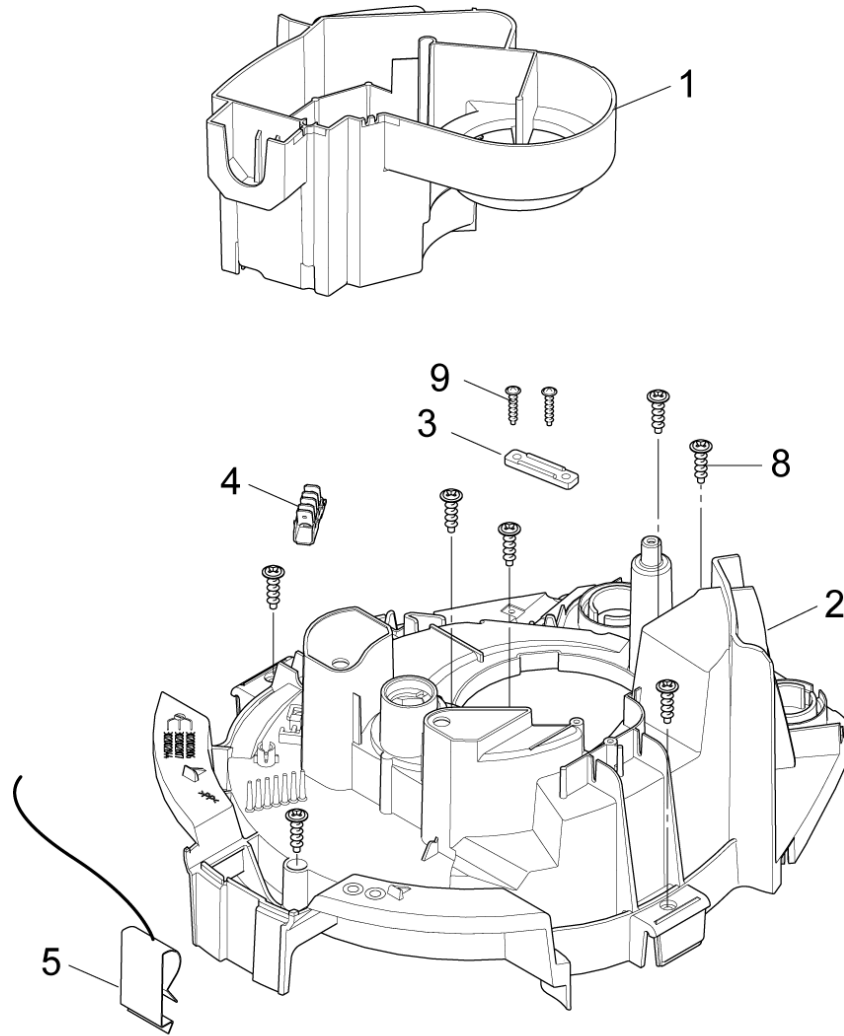
# Motor, Basic und PC

ATTIX 50 PC, XC, EC, Clean Room

13-01-2011

ET-Liste-Nr.  
ATTIX3005

12



# Motor, Basic und PC

ATTIX 50 PC, XC, EC, Clean Room

13-01-2011

ET-Liste-Nr.  
ATTIX3005

13

Pos	Artikelnr.	Me	Beschreibung	EAN
1	302004015	1	LUFTFÜHRUNG * See note	4005337147
2	302004009	1	KLEMMPLATTE PC	4005337147
3	302004030	1	KABELBINDER	4005337147
4	302004031	1	DISTRIBUTIONS STRIP 6-POL 16A	4005337147
5	302004023	1	KONTAKTFEDER	4005337147
6	302003385	1	DICHTUNGSET "R"	4005337136
7	302003384	1	TURBINE 1200W 230 V ATTIX 30, 40, 50 UND 9	4005337136
7	302003388	1	TURBINENKIT	4005337136
7	302004006	1	MOTOR 1200W/100V JP W.GAS KET	4005337147
8	302004029	1	SCHRAUBE 5X18	4005337147
9	302004032	1	SCHRAUBE 3.5X18	4005337147
10	302004045	1	GERÄUSCHDÄMMUNG ABLUFT	4005337148

\* Note: During service or repair of vacuum head alw ays change Airguide 302004015 and Cover for air circuit 107401051

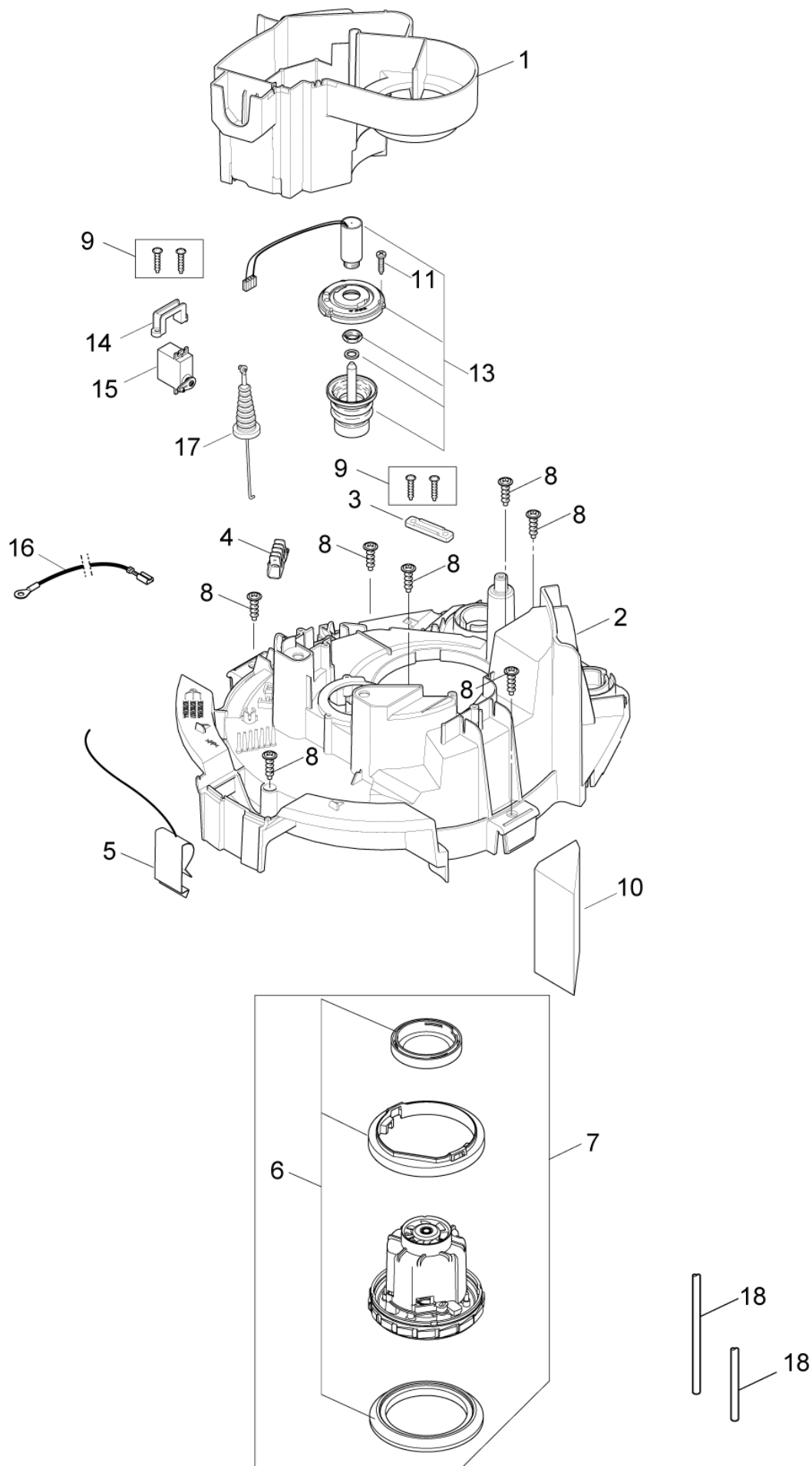
# Motor XC

ATTIX 50 PC, XC, EC, Clean Room

13-01-2011

ET-Liste-Nr.  
ATTIX3007

14



# Motor XC

ATTIX 50 PC, XC, EC, Clean Room

13-01-2011

ET-Liste-Nr.  
ATTIX3007

15

Pos	Artikelnr.	Me	Beschreibung	EAN
1	302004015	1	LUFTFÜHRUNG * See note	4005337147
2	107400287	1	CLAMPINGPLATE XC	4005337153
3	302004030	1	KABELBINDER	4005337147
4	302004031	1	DISTRIBUTIONS STRIP 6-POL 16A	4005337147
5	302004023	1	KONTAKTFEDER	4005337147
6	302003385	1	DICHTUNGSET "R"	4005337136
7	302003384	1	TURBINE 1200W 230 V ATTIX 30, 40, 50 UND 9	4005337136
7	302004006	1	MOTOR 1200W/100V JP W.GAS KET	4005337147
8	302004029	1	SCHRAUBE 5X18	4005337147
9	302004032	1	SCHRAUBE 3.5X18	4005337147
10	302004045	1	GERÄUSCHDÄMMUNG ABLUFT	4005337148
11	302003319	3	SCHRAUBEN SET	4005337140
13	107400291	1	MAGNET 230V	4005337153
13	107400292	1	MAGNET 110V	4005337153
14	107400289	1	SERVO BRACKET	4005337153
15	107400290	1	SERVO FOR XC	4005337153
16	107400262	1	WIRE 1X200 YELLOW/GREEN	4005337153
17	107400276	1	SERVO WIRE XC	4005337153
18	107400309	2	HOSE D3X1.5 TURBINE SIDE XC	7319519675

\* Note: During service or repair of vacuum head always change Airguide 302004015 and Cover for air circuit 107401051

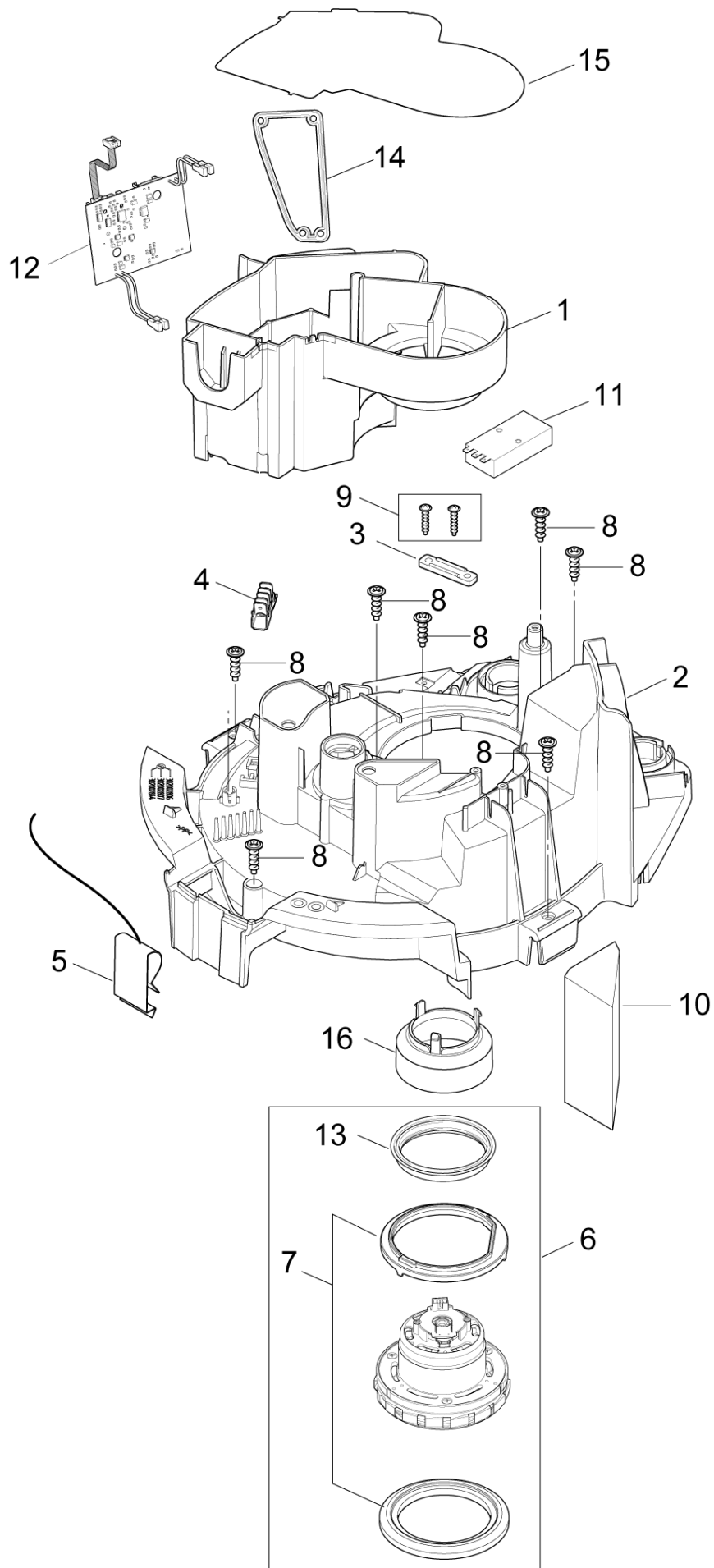
# EC und Clean Room Motor

ATTIX 50 PC, XC, EC, Clean Room

13-01-2011

ET-Liste-Nr.  
ATTIX5008

16





# EC und Clean Room Motor

ATTIX 50 PC, XC, EC, Clean Room

13-01-2011

ET-Liste-Nr.  
ATTIX5008

17

Pos	Artikelnr.	Me	Beschreibung		EAN
1	302004015	1	LUFTFÜHRUNG	* See note	4005337147
2	302004009	1	KLEMMPLATTE PC		4005337147
3	302004030	1	KABELBINDER		4005337147
4	302004031	1	DISTRIBUTIONS STRIP 6-POL 16A		4005337147
5	302004023	1	KONTAKTFEDER		4005337147
6	107400042	1	EC MOTOR ATTIX9 TYP 22		4005337147
7	302003648	1	SEALING KIT R		4005337143
8	302004029	1	SCHRAUBE 5X18		4005337147
9	302004032	1	SCHRAUBE 3.5X18		4005337147
10	302004045	1	GERÄUSCHDÄMMUNG ABLUFT		4005337148
11	42103	1	ENTSTÖRFILTER EC 220V		4005337421
12	107400044	1	EC STEUERUNG ATTIX 9 TYP 22		4005337147
13	47364	1	DICHTRING 108X86X18		4005337473
14	107401050	1	INNER SEALING ATTIX 30-40-50	EC and Clean Room	7319519675
15	107401051	1	COVER FOR AIR CIRCUIT	Clean Room - * See note	7319519675
16	107401936	1	HOOD FOR EC		7319519678

\* Note: During service or repair of vacuum head alw ays change Airguide 302004015 and Cover for air circuit 107401051

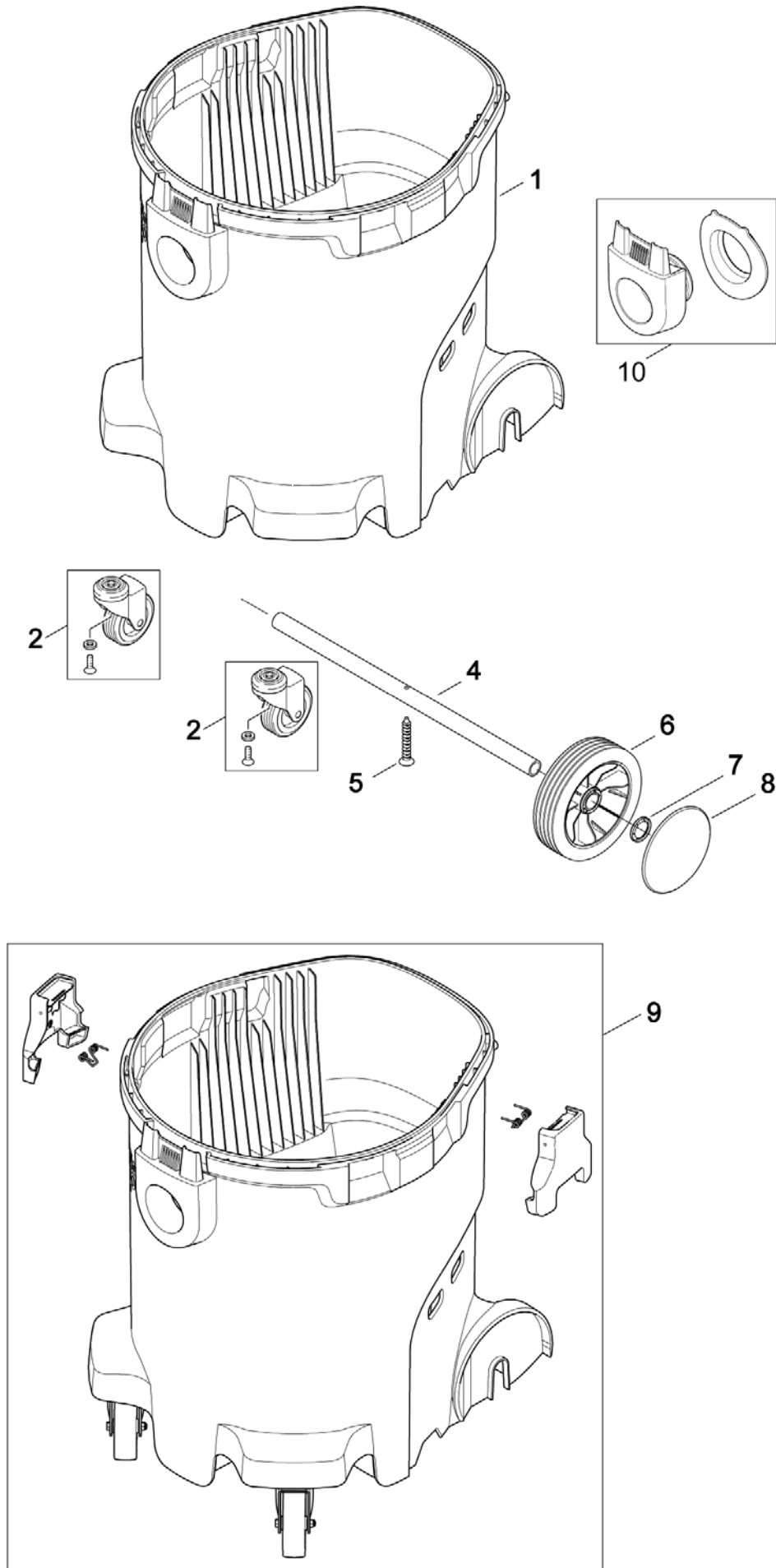
# Behälter ATTIX 50

ATTIX 50 PC, XC, EC, Clean Room

13-01-2011

ET-Liste-Nr.  
ATTIX5006

18



# Behälter ATTIX 50

ATTIX 50 PC, XC, EC, Clean Room

13-01-2011

ET-Liste-Nr.  
ATTIX5006

19

Pos	Artikelnr.	Me	Beschreibung		EAN
1	107400305	1	CONTAINER WITH FITTING ATTIX50	* SEE NOTE	7319519674
2	302004059	2	VORDERRAD FÜR BEHÄLTER		4005337148
4	302004022	1	RADACHSE		4005337147
5	107400063	1	SCHRAUBE 5X35		4005337148
6	302000639	2	RAD 150X20		4005337687
7	47302	2	KLEMMRING 28,6/ 20X1,3		4005337473
8	302000701	2	RADKAPPE 115		4005337690
9	107400312	1	CONTAINER KIT ATTIX 50	* SEE NOTE	7319519675

\* NOTE TSB Vac-092 clamp and container

For machines produced before serial number 09110030030 use Container upgrade kit 107400312

# Zubehör/ Sonstiges

ATTIX 50 PC, XC, EC, Clean Room

13-01-2011

ET-Liste-Nr.  
ATTIX5010

20

Keine Zeichnung zur ET-Liste

# Zubehör/ Sonstiges

## ATTIX 50 PC, XC, EC, Clean Room

13-01-2011

ET-Liste-Nr.  
ATTIX5010

21

Pos	Artikelnr.	Me	Beschreibung	EAN
-	107400079	1	AIRBOX 230V 50 HZ EU	7319519671
-	107400453	1	FILTER F. MOTORKÜHLUNG	
-	302003717	1	BLASADAPTER	4005337144
-	302003721	1	FILTER F. MOTORKÜHLUNG	4005337159
	15325	1	SAUGSCHLAUCH 27X3500 KPL.	4005337153
	15546	1	SAUGROHR D36X505 VA SET2	4005337155
	302000477	1	BODENDÜSE D36X260	4005337682
	302000490	1	FILTERELEMENT "L+M" D 1 85X140 (ERS. F.302000461)	4005337682
	302000528	1	HANDROHR GEBOGEN D36 MIT QUICKSYSTEM VERCHROMT	4005337683
	302000529	1	SAUGROHR D36X505 SET 2 STÜCK VERCHROMT	4005337021
	302000535	1	WERKZEUGMUFFE D27	4005337683
	302000728	1	ENTSORGUNGSSACK (SET 5) ATTIX 5/50	4005337027
	302001682	1	SAUGSCHLAUCH D36X5000 MIT MUFFEN AS EVA	4005337070
	302002842	1	FLACHFILTER 2 STÜCK	5715492039
	302003666	1	BODENDÜSE 36 X 400 MM	4005337144
0	302003796	1	ERSATZ-BÜRSTENLEISTE, 2 STÜCK	5715492039
			For floor nozzle 302003666	
0	302003797	1	ERSATZ-GUMMILIPPEN, 2 STÜCK	5715492039
			For floor nozzle 302003666	
	302004004	1	VLIES FILTERSACK VPE 5 ATTIX 40 UND 50	5715492039
	46691	1	HANDROHR GEBOGEN D36 VA	4005337466
	46948	1	SAUGSCHLAUCH 36X3000 KP	4005337469
	5146	1	SAUGBÜRSTE D36	4005337051
	60356	1	PROFI-BODENDÜSE D36	4005337603
	6084	1	FUGENDÜSE D35X300 MM	4005337060

# EMPFOHLENE ERSATZTEILE

ATTIX 50 PC, XC, EC, Clean Room

13-01-2011

ET-Liste-Nr.  
ATTIX5014

22

Keine Zeichnung zur ET-Liste

# EMPFOHLENE ERSATZTEILE

ATTIX 50 PC, XC, EC, Clean Room

13-01-2011

ET-Liste-Nr.  
ATTIX5014

23

Pos	Artikelnr.	Me	Beschreibung		EAN
1	107400042	1	EC MOTOR ATTIX9 TYP 22		4005337147
1	107400044	1	EC STEUERUNG ATTIX 9 TYP 22		4005337147
1	107400056	1	GASKET FOR CONTAINER	ATTIX 50	4005337148
1	107400057	1	STECKDOSE 16A/110V GB		4005337148
1	107400058	1	STECKDOSE 25A/110V GB		4005337148
1	107400059	1	STECKDOSE 16A/250V CH		4005337148
1	107400060	1	STECKDOSE 16A/250V DK		4005337148
1	107400064	1	ROHRHALTER		4005337148
1	107400260	1	ELEKTRONIK ATTIX 30,50 XC 230 V	230-240V	4005337152
1	107400261	1	ELEKTRONIK ATTIX 30,50 XC 115 V	100-120V	4005337152
1	107400265	1	CORD H05RR-F 3G1.5 DK		4005337153
1	107400266	1	NETZLEITUNG H05RR-F 2X075		4005337153
1	107400267	1	CORD H05RR-F 3G1.0 CH		4005337153
1	107400268	1	CORD H05RR-F 2X0.75 GB		4005337153
1	107400270	1	CORD H05RR-F 3G1.5 BS1 363 GB		4005337153
1	107400271	1	CORD H07BQ-F 3G2.5 GB		4005337153
1	107400272	1	CORD H05RR-F 3G1.5 ZA		4005337153
1	107400273	1	CORD H05RR-F 2X0.75 EU		4005337153
1	107400274	1	O-RING XC KIT	FILTERSYSTEM XC	4005337153
1	107400276	1	SERVO WIRE XC		4005337153
1	107400277	1	DECKEL FÜR ATTIX 50-21 XC	FILTERSYSTEM XC	4005337153
1	107400278	1	FILTERBRACKET PLATE XC	FILTERSYSTEM XC FROM 2009	4005337153
1	107400283	1	SEALING FOR XC	FILTERSYSTEM XC	4005337153
1	107400287	1	CLAMPINGPLATE XC		4005337153
1	107400290	1	SERVO FOR XC		4005337153
1	107400291	1	MAGNET 230V		4005337153
1	107400292	1	MAGNET 110V		4005337153
1	107400300	1	BASEPLATE XC	FILTERSYSTEM XC	7319519674
1	107400301	1	CONTAINER CLAMP	SEE NOTE*	7319519674
1	107400307	1	FILTER CLAMP XC RIGHT KIT	FILTERSYSTEM XC	7319519674
1	107400308	1	FILTERKLAMMERN-KIT-1 XC L INKS	FILTERSYSTEM XC	7319519675
1	107400309	1	HOSE D3X1.5 TURBINE SIDE XC		7319519675
1	107400312	1	CONTAINER KIT ATTIX 50	SEE NOTE*	7319519675
1	107400449	1	FILTERSA TZ -H- (2 STCK.)	FILTERSYSTEM XC	5715492044
1	107400453	1	FILTER F. MOTORKÜHLUNG	ONLY CLEAN ROOM	
1	107400496	1	H-FILTER BRACKET XC KIT-1	FILTERSYSTEM XC FROM 2009	7319519671
1	107400730	1	ELECTRONICS 21 PC EC 230V		7319519674

\* NOTE TSB Vac-092 clamp and container

For machines produced before serial number 09110030030 use Container upgrade kit 107400311, ATTIX 30 or 107400312, ATTIX 50

\*\* NOTE: During service or repair of vacuum head always change Airguide 302004015 and Cover for air circuit 107401051

# EMPFOHLENE ERSATZTEILE

ATTIX 50 PC, XC, EC, Clean Room

13-01-2011

ET-Liste-Nr.  
ATTIX5014

24

Pos	Artikelnr.	Me	Beschreibung		EAN
1	107401050	1	INNER SEALING ATTIX 30-40-50	EC AND CLEAN ROOM	7319519675
1	107401051	1	COVER FOR AIR CIRCUIT	CLEAN ROOM - SEE NOTE	7319519675
1	107401936	1	HOOD FOR EC	EC AND CLEAN ROOM	7319519678
1	107402255	1	FILTER MOUNTING KIT XC	FILTERSYSTEM XC FROM 2009	7319519680
1	302000460	1	DICHTUNG FILTER		4005337136
1	302000472	1	FILTERSTÜTZKORB		4005337682
1	302000490	1	FILTERELEMENT "L+M" D 1 85X140 (ERS. F.302000461)		4005337682
1	302000639	1	RAD 150X20		4005337687
1	302000728	1	ENTSORGUNGSSACK (SET 5) ATTIX 5/50		4005337027
1	302000882	1	POWER CORD SJTW-AWG16/3X8		4005337030
1	302001095	1	FILTERELEMENT D185X140 H	HEPA	4005337035
1	302002842	1	FLACHFILTER 2 STÜCK	FILTERSYSTEM XC	5715492039
1	302003384	1	TURBINE 1200W 230 V ATTIX 30, 40, 50 UND 9		4005337136
1	302003385	1	DICHTUNGSET "R"		4005337136
1	302003388	1	TURBINENKIT		4005337136
1	302003648	1	SEALING KIT R		4005337143
1	302003717	1	BLASADAPTER	ONLY CLEAN ROOM	4005337144
1	302003721	1	FILTER F. MOTORKÜHLUNG	ONLY CLEAN ROOM	4005337159
1	302004004	1	VLIES FILTERSACK VPE 5 ATTIX 40 UND 50		5715492039
1	302004006	1	MOTOR 1200W/100V JP W.GAS KET		4005337147
1	302004007	1	SPANNPLATTE PC		4005337147
1	302004008	1	GUMMIDICHTUNG ATTIX 30	ATTIX 30	4005337147
1	302004009	1	KLEMMPLATTE PC		4005337147
1	302004011	1	AUTO ON-OFF SWITCH ELEKTR ONIK	FOR -21 PC	4005337147
1	302004014	1	NETZKABEL H07RN-F2X1X8.05 CEE7 EU		4005337147
1	302004015	1	LUFTFÜHRUNG	SEE NOTE**	4005337147
1	302004023	1	KONTAKTFEDER		4005337147
1	302004027	1	ROHRHALTER HAKEN		4005337147
1	302004034	1	STECKDOSE 16A/250V EU		4005337147
1	302004035	1	EIN AUS SCHALTER	FOR -01 PC WITHOUT SOFTSTART	4005337147
1	302004036	1	STECKDOSE 16A/250V FR		4005337147
1	302004037	1	NETZKABEL H05RR-F 3G1.5 C EE7/VI EU		4005337147
1	302004038	1	NETZKABEL H07RN-F2X1X8.05		4005337147
1	302004039	1	NETZKABEL H05RR-F3GX0.75A S3112 AUNZ		4005337147
1	302004040	1	NETZKABEL SJTW-A AWG16/2 JP		4005337148
1	302004058	1	ABDICHTUNG FÜR BASIC		4005337148
1	302004059	1	VORDERRAD FÜR BEHÄLTER		4005337148

\* NOTE TSB Vac-092 clamp and container

For machines produced before serial number 09110030030 use Container upgrade kit 107400311, ATTIX 30 or 107400312, ATTIX 50

\*\* NOTE: During service or repair of vacuum head always change Airguide 302004015 and Cover for air circuit 107401051



# EMPFOHLENE ERSATZTEILE

ATTIX 50 PC, XC, EC, Clean Room

13-01-2011

ET-Liste-Nr.  
ATTIX5014

25

Pos	Artikelnr.	Me	Beschreibung	EAN
1	302004060	1	EIN AUS SCHALTER SOFTSTAR FOR -11 PC & -01 PC WITH SOFTSTART	4005337148
1	302004338	1	SOCKET 15A/125V US/CSA	7319519675
1	42103	1	ENTSTÖRFILTER EC 220V	4005337421
1	47302	1	KLEMMRING 28,6/ 20X1,3	4005337473
1	47364	1	DICHTRING 108X86X18	4005337473

\* NOTE TSB Vac-092 clamp and container

For machines produced before serial number 09110030030 use Container upgrade kit 107400311, ATTIX 30 or 107400312, ATTIX 50

\*\* NOTE: During service or repair of vacuum head always change Airguide 302004015 and Cover for air circuit 107401051